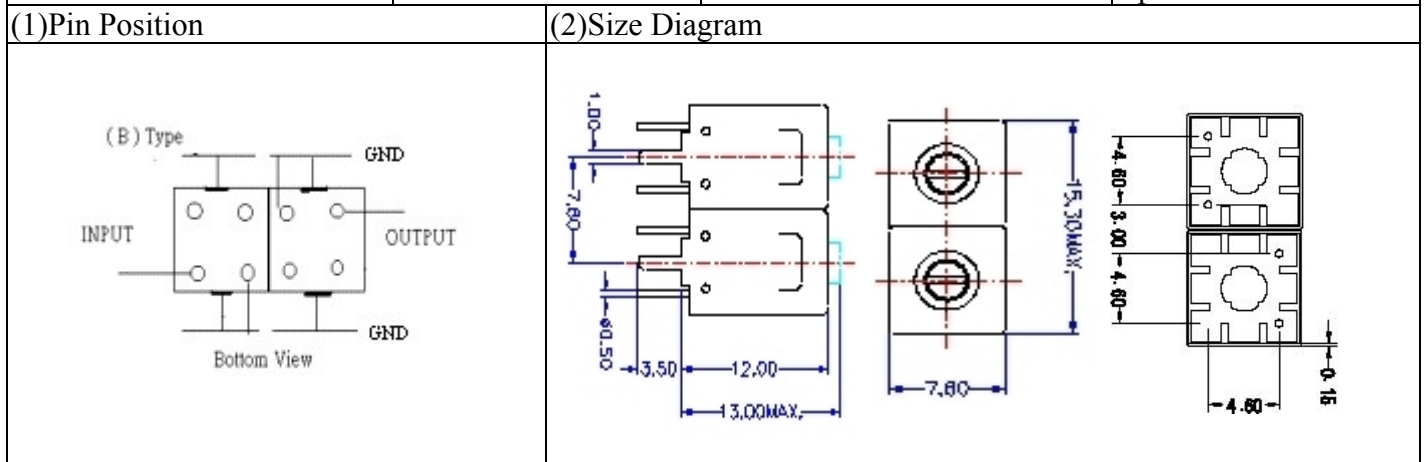


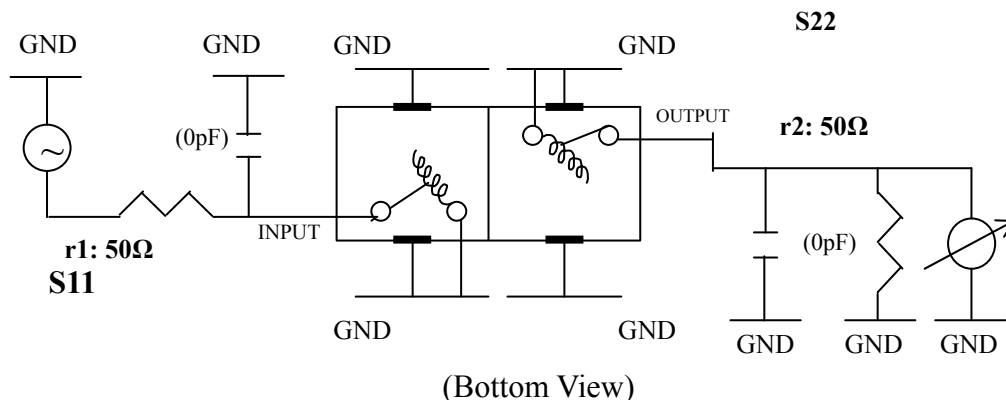
# VHF UHF Helical Filter Specification Sheet

Customer Name		Temwell's Part No.	TD67731B-845M
Approval No. /dated	0902041APR	Customer's Print Name.	67731B 845M
Work Instruction No.	200902041CD	Date	Apr.15.2009



(3) Electric Characteristic			
Item		Specify	Performance
Center Freq.(Fo) +/- 0.5 %		845 MHz	845 MHz
Tunable Range:		845±5 MHz	845±5 MHz
Insertion Loss		Typ. 2.5 dB	1.37 dB
-3 dB Bandwidth		Typ. 30 MHz	33.8 MHz
Sensitivity (Attenuation)	Fo - 100 MHz	Typ. 32 dBc	35 dBc
	Fo + 100 MHz	Typ. 24 dB	27 dBc
	Fo - ( )MHz	Typ. dB	dBc
	Fo + ( )MHz	Typ. dB	dBc
Return Loss		Min. 12 dB	22.7 dB
Ripple		< 1 dB	dB
Impedance		In / Out : 50 Ω	In / Out : 50 Ω
(4) Torque for Tuning Screw		> 100gf · cm	
(5) Temperature Condition:			
Operating Temperature		0°C ~ +60°C	
Storage Temperature		-20°C ~ +70°C	
(6) Input Power		> 1 Watt	

(7) Measuring Circuit: ※Easy to match Impedance S11/S22 50Ω by parallel with about ( 0 ) pF.



Approval	Supervisor	Designer	Aperture size
C.Y.Chang	C.K.Chang	C.S.Chang	7H2S(4*7.5F)(7.59) 7H046RB4

TEMWELL CORPORATION

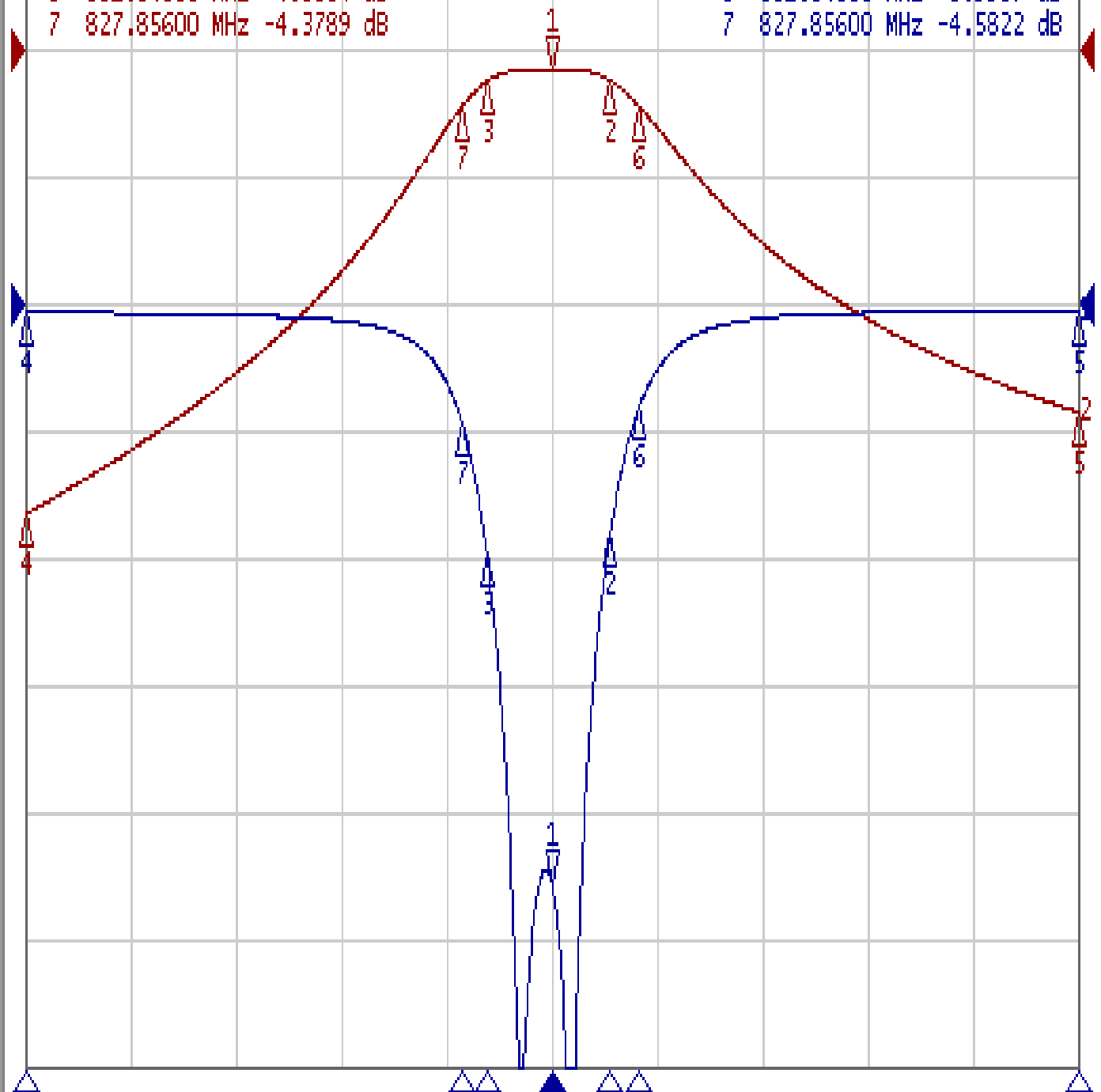
# Performance-TD67731B-845M

## 200902041CD

Tr1 S11 Log Mag 5.000dB/ Ref 0.000dB [F3]  
Tr2 S21 Log Mag 10.00dB/ Ref 0.000dB [F3]

1	845.00000 MHz	-1.3747 dB
2	856.14450 MHz	-2.3294 dB
3	832.64500 MHz	-2.3747 dB
4	745.00000 MHz	-36.463 dB
5	945.00000 MHz	-28.433 dB
6	861.64800 MHz	-4.3654 dB
7	827.85600 MHz	-4.3789 dB

>1	845.00000 MHz	-22.794 dB
2	856.14450 MHz	-8.9548 dB
3	832.64500 MHz	-9.7887 dB
4	745.00000 MHz	-0.2823 dB
5	945.00000 MHz	-0.2766 dB
6	861.64800 MHz	-3.9937 dB
7	827.85600 MHz	-4.5822 dB



1 Center 845 MHz

IFBW 10 kHz

Span 200 MHz

