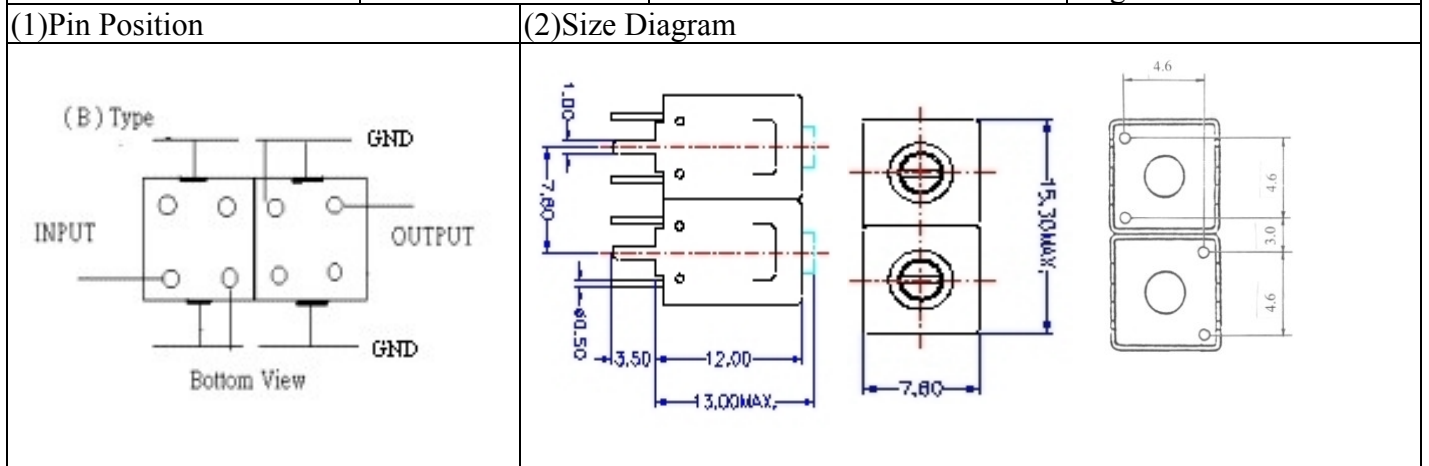


VHF UHF Helical Filter Specification Sheet

Customer Name		Temwell's Part No.	TD67722B-378M
Approval No. /dated	20507090APR	Acceptable Specify Fo. Range	356~400MHz
Work Instruction No.	20507090DC	Date	Aug.09.2005



(3) Electric Character

Item	Specify	Performance	
Center Freq.(Fo) +/- 0.5 %	378 MHz	378 MHz	
Tunable Range	378±4 MHz	378±4 MHz	
Insertion Loss	Typ. 2.0 dB	0.62 dB	
-3 dB Bandwidth	Typ. 40 MHz	45.0 MHz	
Sensitivity (Attenuation)	Fo - 100 MHz	Typ. 21 dBc	24 dBc
	Fo + 100 MHz	Typ. 23 dBc	26 dBc
	Fo - ()MHz	Typ. dBc	dBc
	Fo + ()MHz	Typ. dBc	dBc
Return Loss	Min. 12 dB	27.3 dB	
Ripple	< 1 dB	dB	
Impedance	In / Out : 50 Ω	In / Out : 50 Ω	

(4) Torque for Tuning Screw

> 100gf · cm

(5) Temperature Condition:

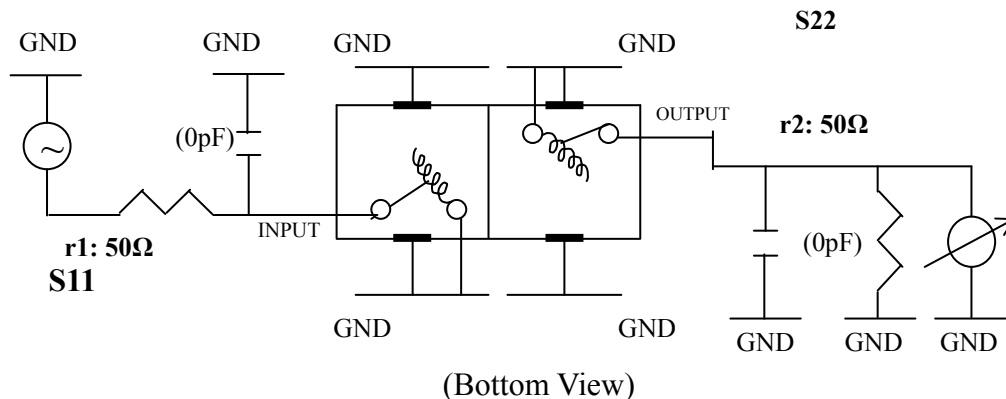
Operating Temperature	0°C ~ +60°C
-----------------------	-------------

Storage Temperature	-20°C ~ +70°C
---------------------	---------------

(6) Input Power

> 1Watt

(7) Measuring Circuit: ※Easy to match Impedance 50Ω by parallel with about (0) pF.

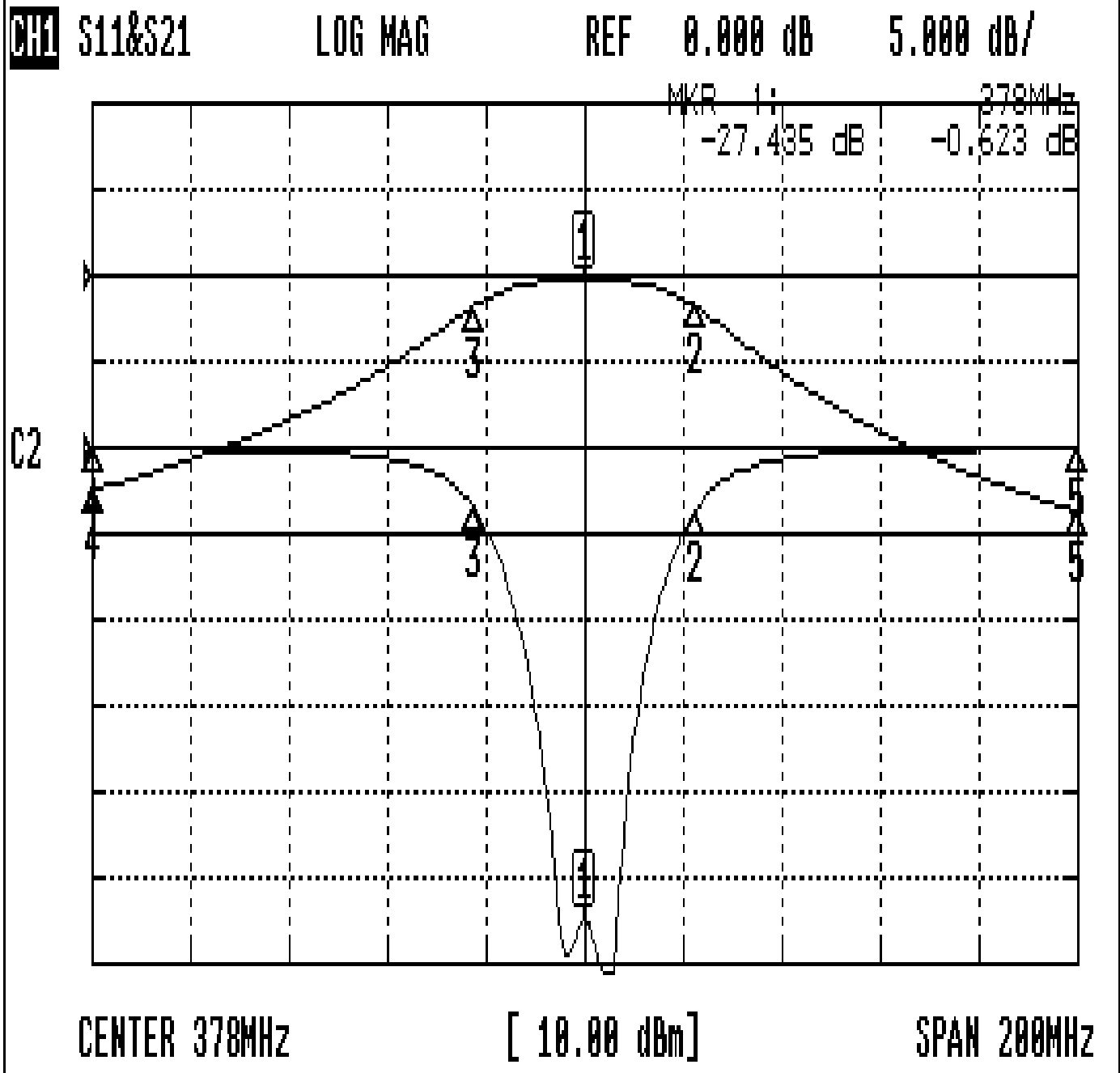


Approval	Supervisor	Designer	Aperture size
C.Y. Chang	C.S. Chang	C.S. Chang	7H2S(4*7.5) 7H046LB5

TEMWELL CORPORATION

Performance-TD67722B-378M

20507090DC



CH1 MARKER LIST

1:	378.000MHz	-27.435 dB	-0.623 dB
2:	400.500MHz	-3.700 dB	-3.606 dB
3:	355.500MHz	-3.479 dB	-3.600 dB
4:	278.000MHz	-0.102 dB	-24.940 dB
5:	478.000MHz	-0.076 dB	-27.345 dB