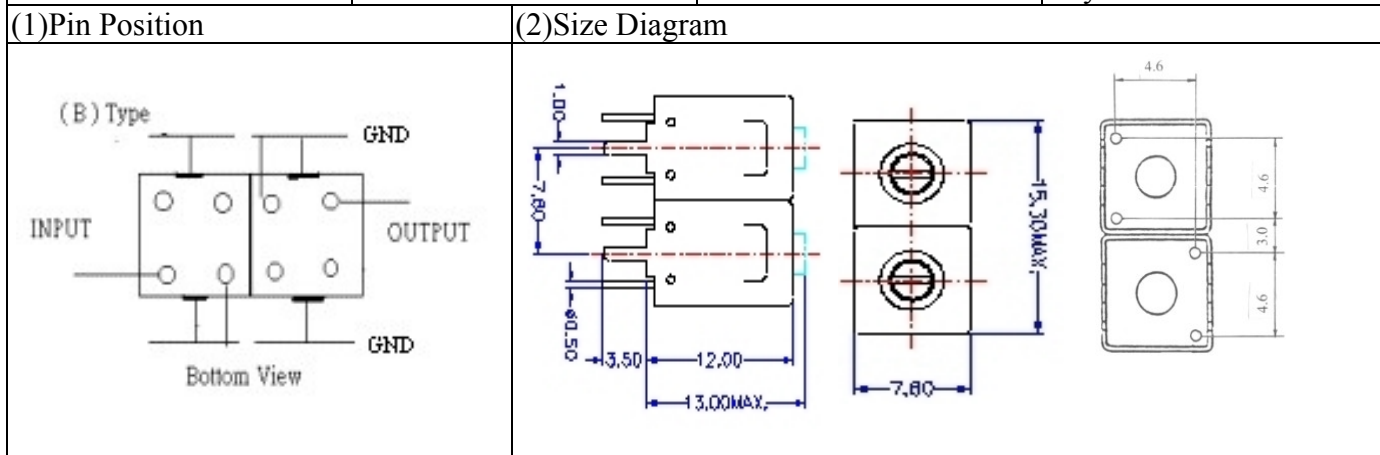


VHF UHF Helical Filter Specification Sheet

Customer Name		Temwell's Part No.	TD67714B-810M
Approval No. /dated	20507072APR	Temwell's Print Name	67714B 810M
Work Instruction No.	20507072DB	Date	July.27.2005



(3) Electric Character

Item	Specify	Performance	
Center Freq.(Fo) +/- 0.5 %	810 MHz	810 MHz	
Tunable Range	810±10 MHz	810±10 MHz	
Insertion Loss	Typ. 2.5 dB	1.60 dB	
-3 dB Bandwidth	Typ. 20 MHz	25.0 MHz	
Sensitivity (Attenuation)	Fo - 50 MHz	Typ. 23 dBc	26 dBc
	Fo + 50 MHz	Typ. 20 dBc	23 dBc
	Fo - ()MHz	Typ. dBc	dBc
	Fo +()MHz	Typ. dBc	dBc
Return Loss	Min. 12 dB	16.2 dB	
Ripple	< 1 dB	dB	
Impedance	In / Out : 50 Ω	In / Out : 50 Ω	

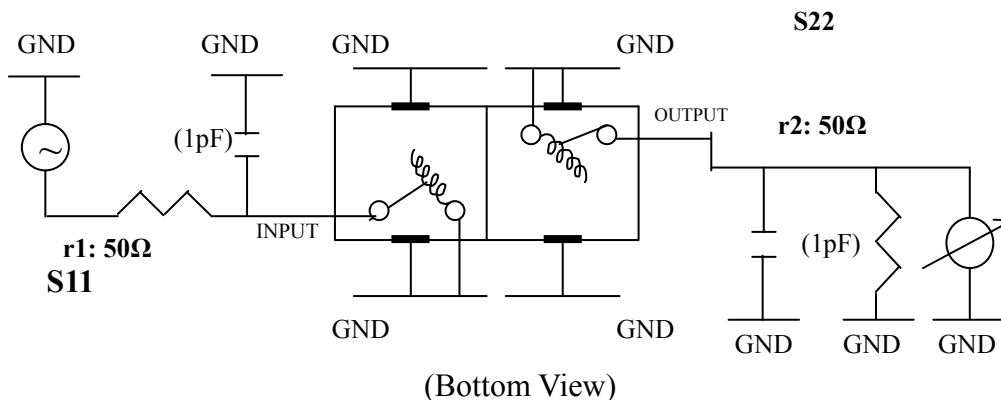
(4) Torque for Tuning Screw > 100gf · cm

(5) Temperature Condition:

Operating Temperature	0°C ~ +60°C
Storage Temperature	-20°C ~ +70°C

(6) Input Power > 1Watt

(7) Measuring Circuit: ※Easy to match Impedance 50Ω/75Ω by parallel with about (1) pF.



Approval	Supervisor	Designer	Aperture size
C.Y. Chang	C.S. Chang	J.F. Lin	7H2(4*6.5) 7H046RB4

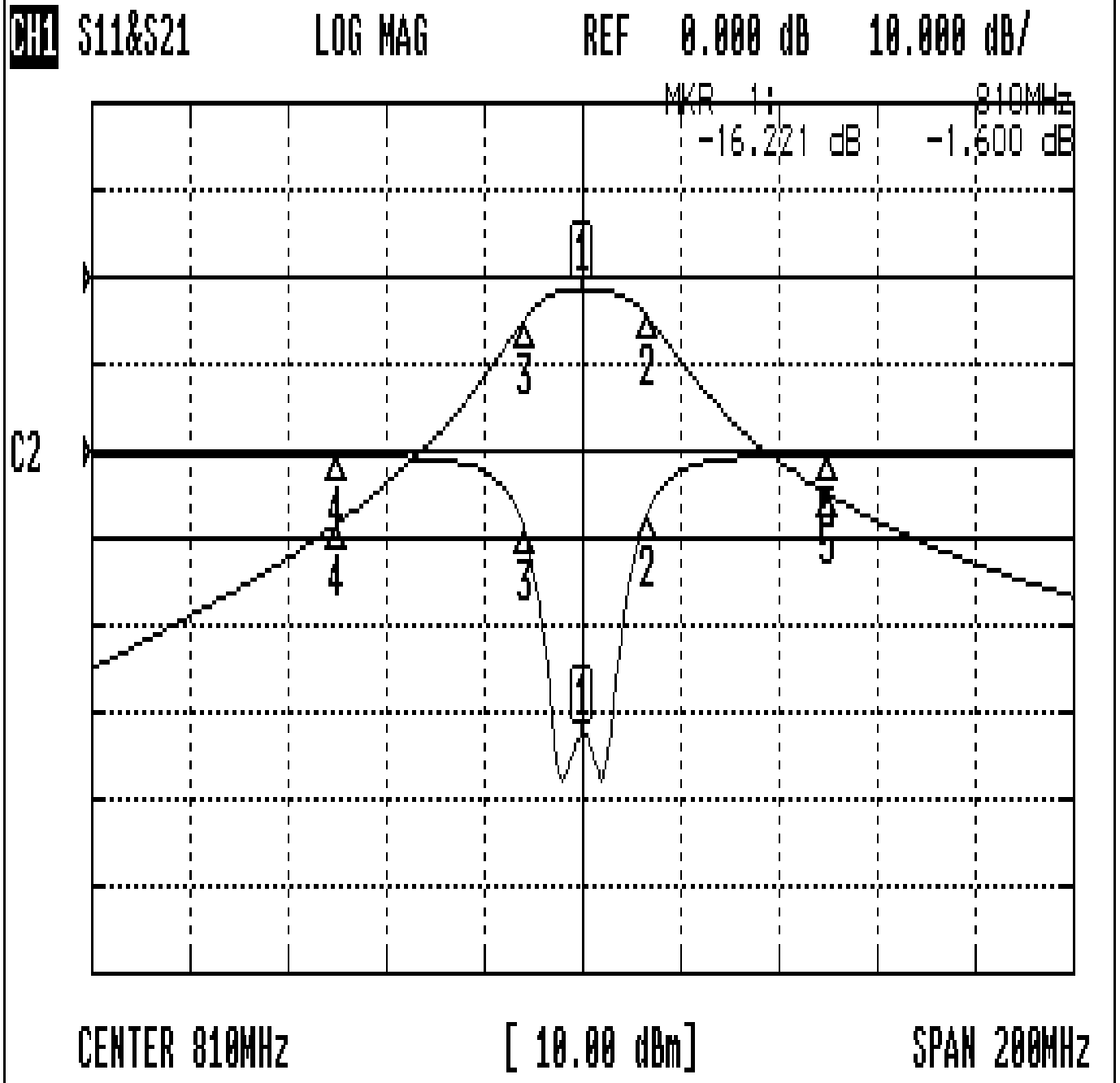
TEMWELL CORPORATION

TEMWELL

Form10-7H2B Vision D

Performance-TD67714B-810M

20507072DB



CH1 MARKER LIST

1:	810.000MHz	-16.221 dB	-1.600 dB
2:	823.333MHz	-3.540 dB	-4.640 dB
3:	798.333MHz	-4.579 dB	-4.776 dB
4:	760.000MHz	-0.273 dB	-28.341 dB
5:	860.000MHz	-0.219 dB	-24.930 dB