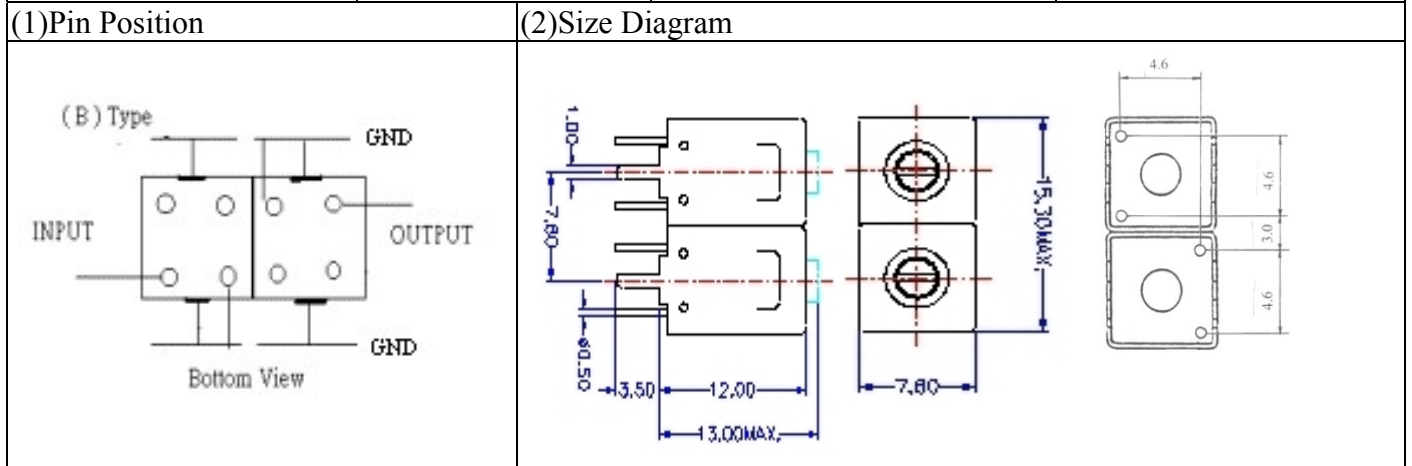


VHF UHF Helical Filter Specification Sheet

Customer Name		Temwell's Part No.	TD67708B-530M
Approval No. /dated	20507059APR	Acceptable Specify Fo. Range	516~555MHz
Work Instruction No.	20507059DC	Date	Jul.22.2005



(3) Electric Character

Item	Specify	Performance	
Center Freq.(Fo) +/- 0.5 %	530 MHz	530 MHz	
Tunable Range	530±3 MHz	530±3 MHz	
Insertion Loss	Typ. 2.0 dB	0.84 dB	
-3 dB Bandwidth	Typ. 40 MHz	43.1 MHz	
Sensitivity (Attenuation)	Fo - 100 MHz	Typ. 18 dBc	21 dBc
	Fo + 100 MHz	Typ. 29 dBc	32 dBc
	Fo - ()MHz	Typ. dBc	dBc
	Fo +()MHz	Typ. dBc	dBc
Return Loss	Min. 12 dB	16.5 dB	
Ripple	< 1 dB	dB	
Impedance	In / Out : 50 Ω	In / Out : 50 Ω	

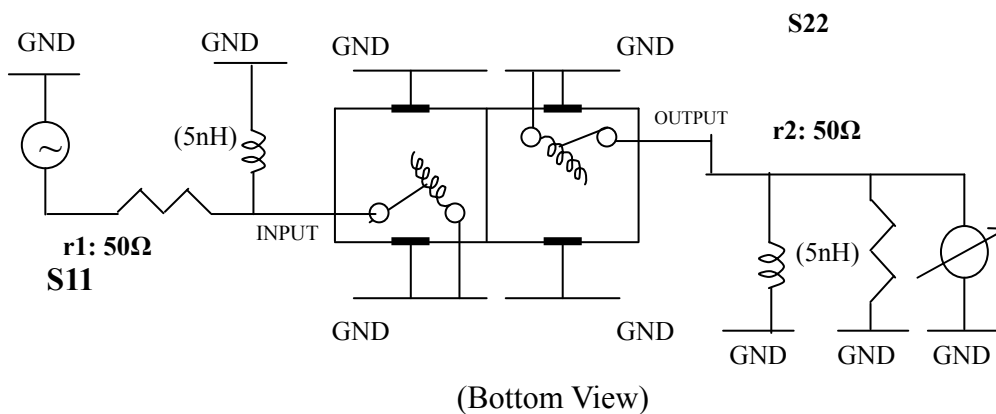
(4) Torque for Tuning Screw > 100gf • cm

(5) Temperature Condition:

Operating Temperature	0°C ~ +60°C
Storage Temperature	-20°C ~ +70°C

(6) Input Power > 1Watt

(7) Measuring Circuit: ※Easy to match Impedance 50Ω by parallel with about (5) nH.

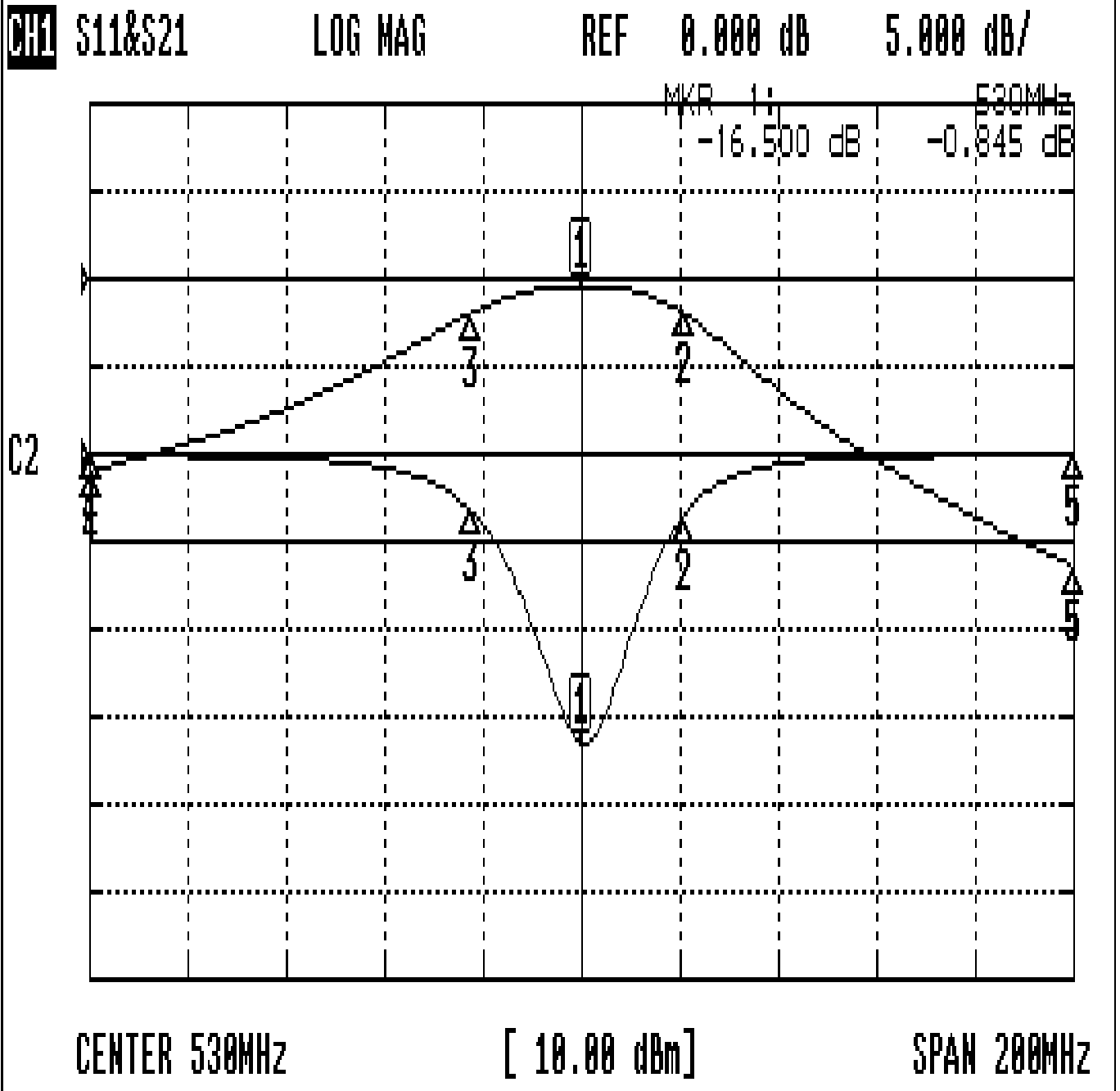


Approval	Supervisor	Designer	Aperture size
C.Y. Chang	C.S. Chang	C.S. Chang	7H2S(4*5.5) 7H046LB5

TEMWELL CORPORATION

Performance-TD67708B-530M

20507059DC



CH1 MARKER LIST

1:	530.000MHz	-16.500 dB	-0.842 dB
2:	550.666MHz	-3.547 dB	-3.875 dB
3:	507.500MHz	-3.185 dB	-3.893 dB
4:	430.000MHz	-0.116 dB	-21.918 dB
5:	630.000MHz	-0.070 dB	-32.878 dB