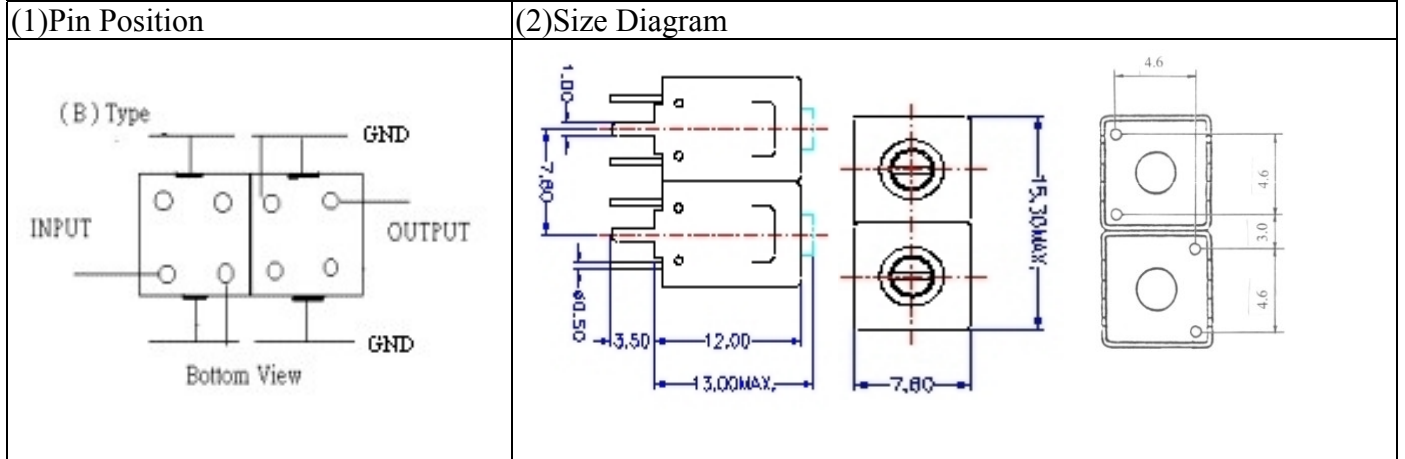


VHF UHF Helical Filter Specification Sheet

Customer Name		Temwell's Part No.	TD67692B-378M
Approval No. /dated	20507035APR	Acceptable Specify Fo. Range	356~400MHz
Work Instruction No.	20507035DC	Date	Jul.19.2005



(3) Electric Character

Item	Specify	Performance
Center Freq.(Fo) +/- 0.5 %	378 MHz	378 MHz
Tunable Range	378±4 MHz	378±4 MHz
Insertion Loss	Typ. 2.0 dB	0.89 dB
-3 dB Bandwidth	Typ. 30 MHz	34.2 MHz
Sensitivity (Attenuation)	Fo - 50 MHz	Typ. 13 dBc
	Fo + 50 MHz	Typ. 18 dBc
	Fo - ()MHz	Typ. dBc
	Fo +()MHz	Typ. dBc
Return Loss	Min. 12 dB	23.5 dB
Ripple	< 1 dB	dB
Impedance	In / Out : 50 Ω	In / Out : 50 Ω

(4) Torque for Tuning Screw > 100gf · cm

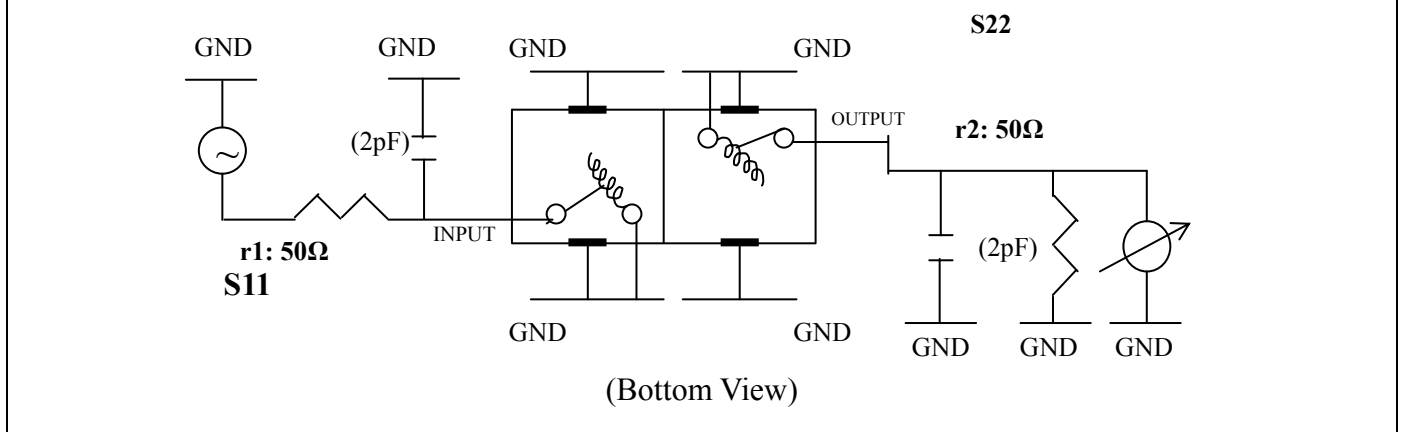
(5) Temperature Condition:

Operating Temperature	0°C ~ +60°C
-----------------------	-------------

Storage Temperature	-20°C ~ +70°C
---------------------	---------------

(6) Input Power > 1Watt

(7) Measuring Circuit: ※Easy to match Impedance 50Ω by parallel with about (2) pF.

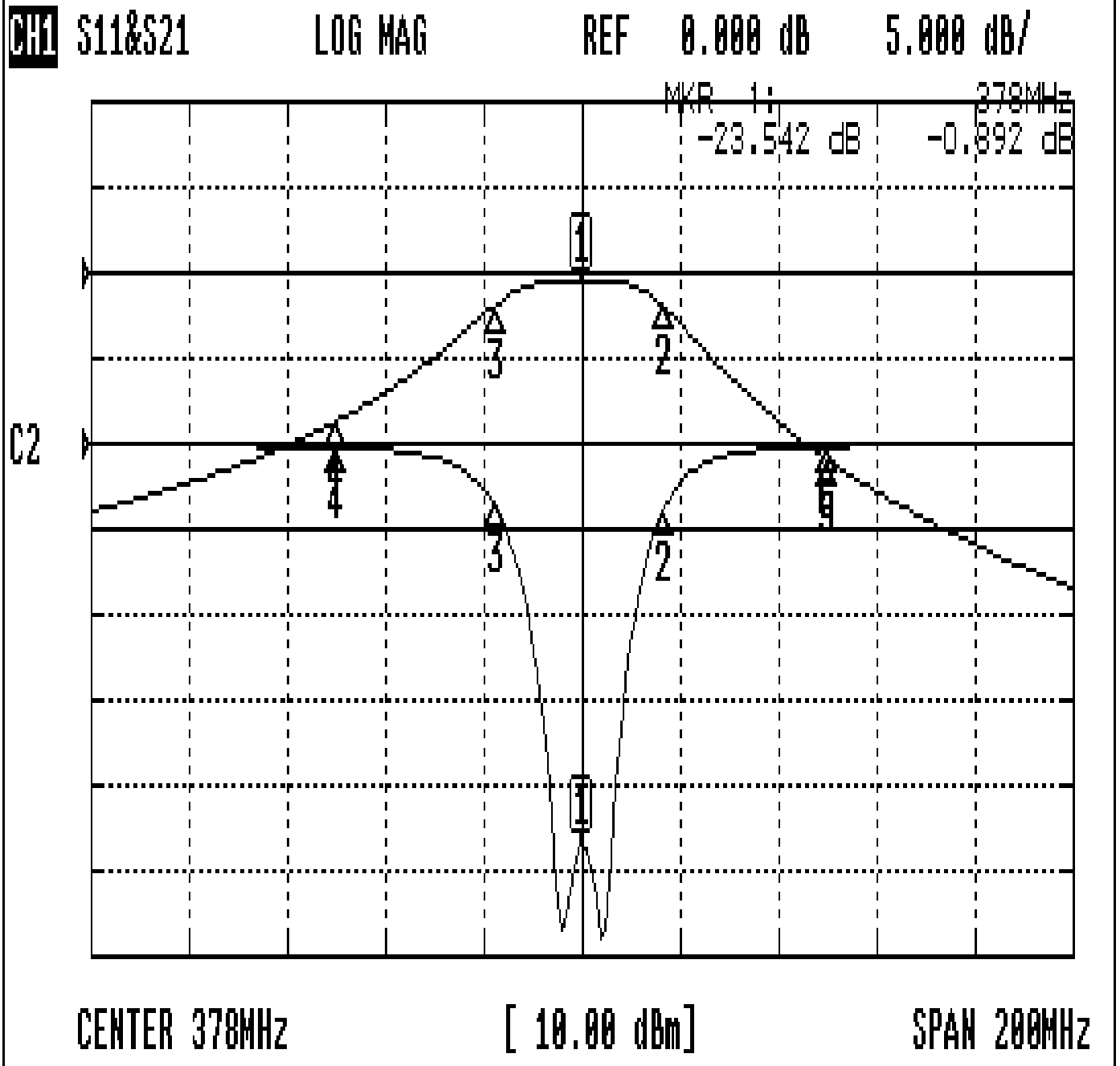


Approval	Supervisor	Designer	Aperture size
C.Y. Chang	C.S. Chang	C.S. Chang	7H2S(4*6.5) 7H046LB5

TEMWELL CORPORATION

Performance-TD67692B-378M

20507035DC



CH1 MARKER LIST

1:	378.000MHz	-23.542 dB	-0.892 dB
2:	394.500MHz	-3.986 dB	-3.827 dB
3:	360.333MHz	-3.601 dB	-3.835 dB
4:	328.000MHz	-0.193 dB	-17.403 dB
5:	428.000MHz	-0.150 dB	-21.853 dB