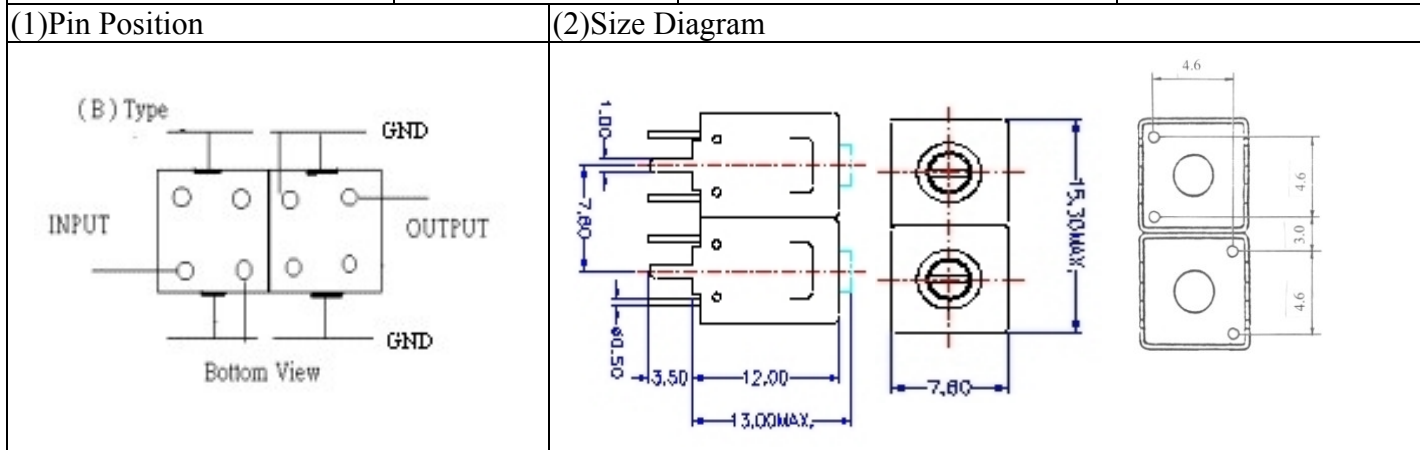


VHF UHF Helical Filter Specification Sheet

Customer Name		Temwell's Part No.	TD67685B-812.5M
Approval No. /dated	20506017DB	Acceptable Specify Fo. Range	801~830MHz
Work Instruction No.	20506017DB	Date	Jun.16.2005



(3) Electric Characteristic

Item	Specify	Performance	
Center Freq.(Fo) +/- 0.5 %	812.5 MHz	812.5 MHz	
Tunable Range	812.5±10 MHz	812.5±10 MHz	
Insertion Loss	Typ. 2.5 dB	1.37 dB	
-3 dB Bandwidth	Typ. 32 MHz	36.8 MHz	
Sensitivity (Attenuation)	Fo - 80 MHz	Typ. 25 dBc	28 dBc
	Fo + 80 MHz	Typ. 19 dBc	22 dBc
	Fo - ()MHz	Typ. dBc	dBc
	Fo + ()MHz	Typ. dBc	dBc
Return Loss	Min. 12 dB	38.1 dB	
Ripple	< 1 dB	dB	
Impedance	In / Out : 50 Ω	In / Out : 50 Ω	

(4) Torque for Tuning Screw > 100gf · cm

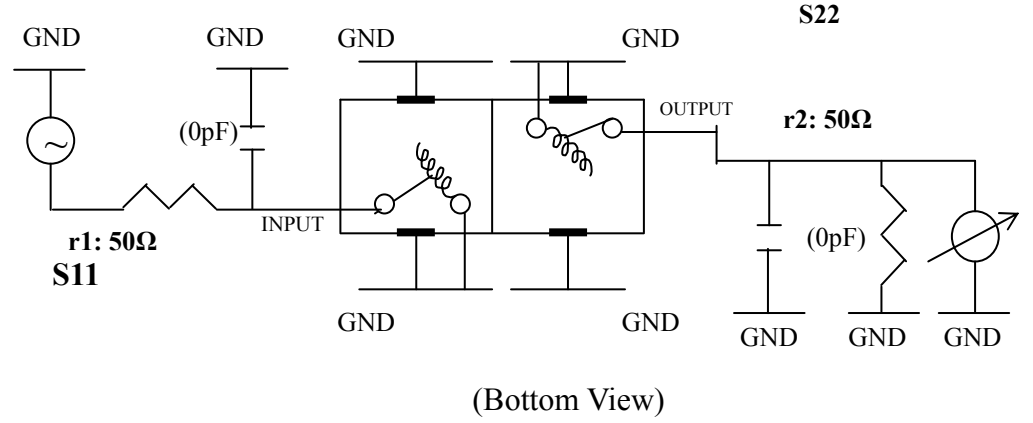
(5) Temperature Condition:

Operating Temperature	0°C ~ +60°C
-----------------------	-------------

Storage Temperature	-20°C ~ +70°C
---------------------	---------------

(6) Input Power > 1 Watt

(7) Measuring Circuit: ※Easy to match Impedance 50Ω/ by parallel with about (0~1) pF.

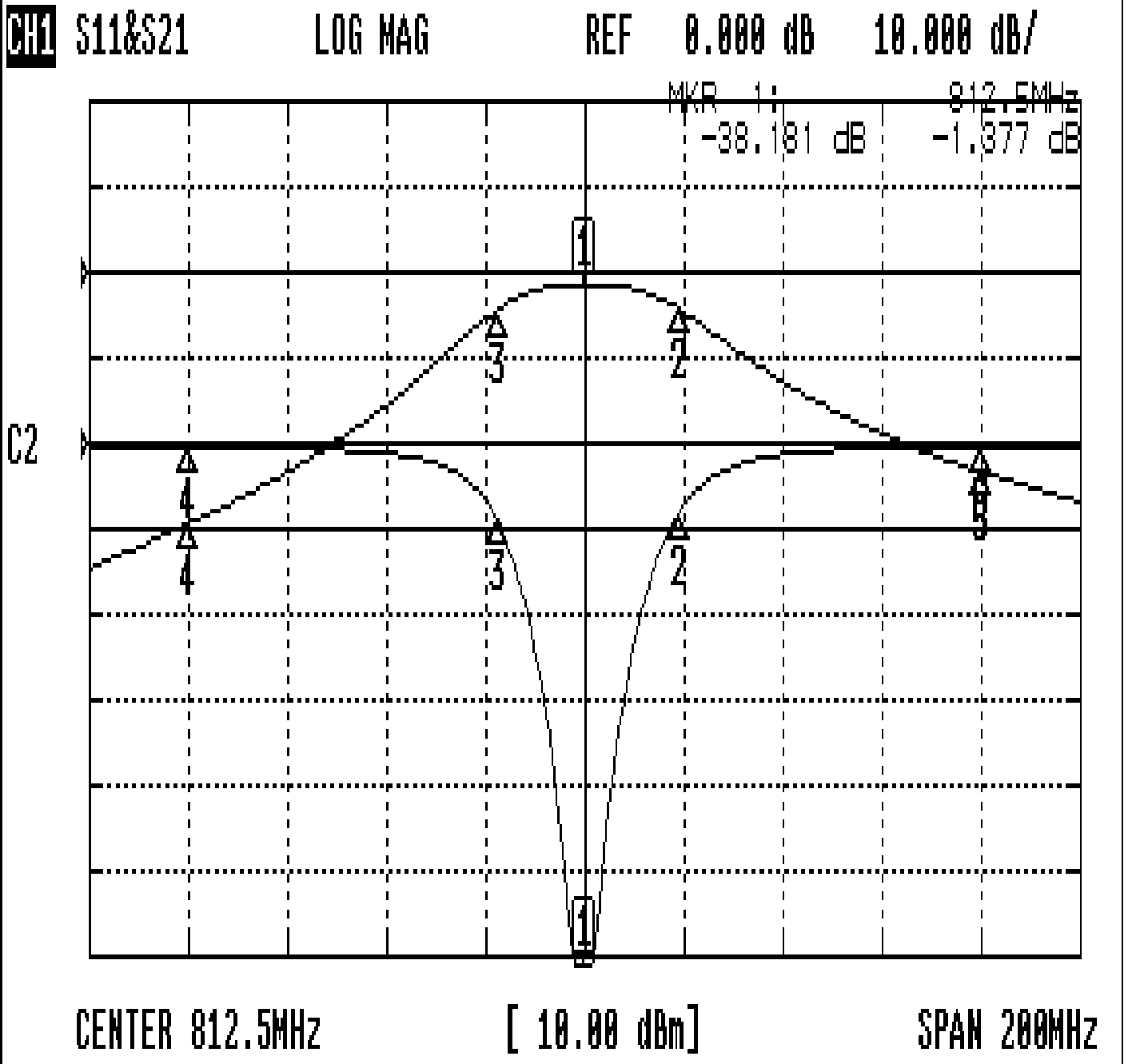


Approval	Supervisor	Designer	Aperture size
C.Y.Chang	C.S.Chang	P.H.Chiang	7H2(4*6.5)-(4*6.58) 7H046RB4

TEMWELL CORPORATION

Performance-TD67685B-812.5M

20506017DB



CH1 MARKER LIST

1:	812.500MHz	-38.130 dB	-1.379 dB
2:	831.833MHz	-3.952 dB	-4.375 dB
3:	795.000MHz	-4.491 dB	-4.320 dB
4:	732.500MHz	-0.174 dB	-29.415 dB
5:	892.500MHz	-0.193 dB	-23.335 dB