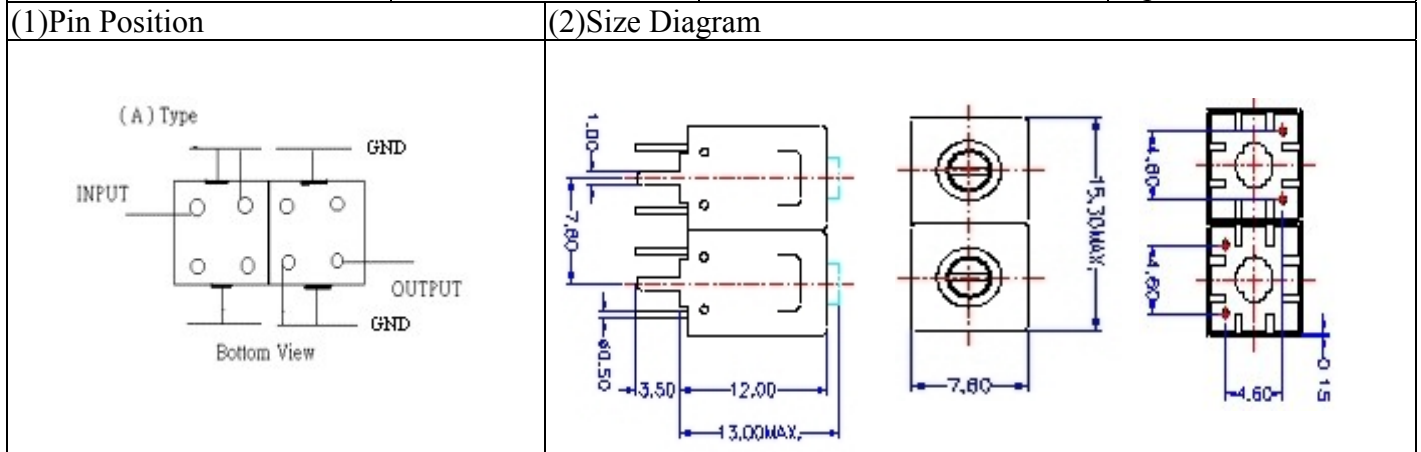


VHF UHF Helical Filter Specification Sheet

Customer Name		Temwell's Part No.	TD67640A-841M
Approval No. /dated	20409079DB	Customer's Part name	67640A 841M
Work Instruction No.	20409079DB	Date	Sep.22.2004



(3) Electric Characteristic

Item	Specify	Performance	
Center Freq.(Fo) +/- 0.5 %	841 MHz	841 MHz	
Tunable Range: <input type="checkbox"/> Fo±5MHz <input checked="" type="checkbox"/> Fo±10MHz <input type="checkbox"/> Fo±15MHz	841±5 MHz	841±5 MHz	
Insertion Loss	Typ. 3.0 dB	2.07 dB	
-3 dB Bandwidth	Typ. 42 MHz	47.0 MHz	
Sensitivity (Attenuation)	Fo - 100 MHz	Typ. 25 dBc	28 dBc
	Fo + 100 MHz	Typ. 19 dBc	22 dBc
	Fo - ()MHz	Typ. dBc	dBc
	Fo +()MHz	Typ. dBc	dBc
Return Loss	Min. 12 dB	15.9 dB	
Ripple	< 1 dB	dB	
Impedance	In / Out : 50 Ω	In / Out : 50 Ω	
(4) Torque for Tuning Screw	> 100gf · cm		

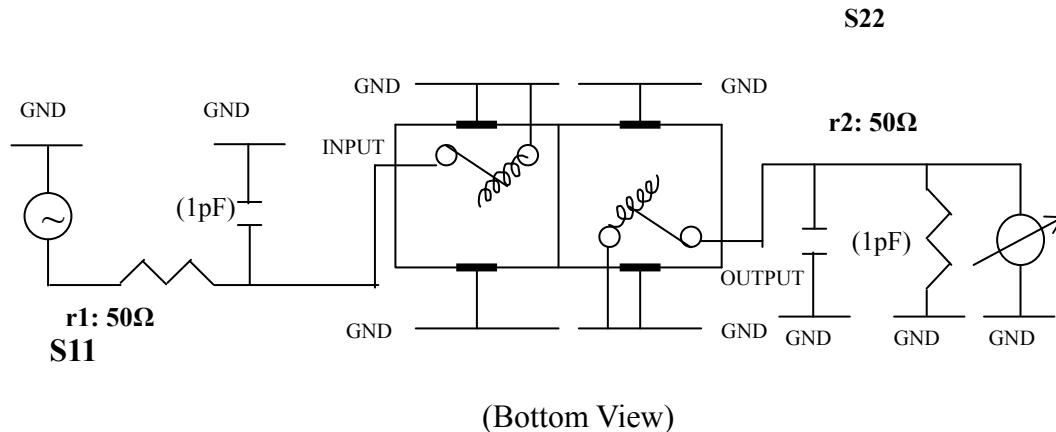
(5) Temperature Condition:

Operating Temperature	0°C ~ +60°C
Storage Temperature	20°C ~ +70°C

(6) Input Power

> 1 Watt

(7) Measuring Circuit: ※Easy to match Impedance 50Ω/ by parallel with about (0~1) pF.

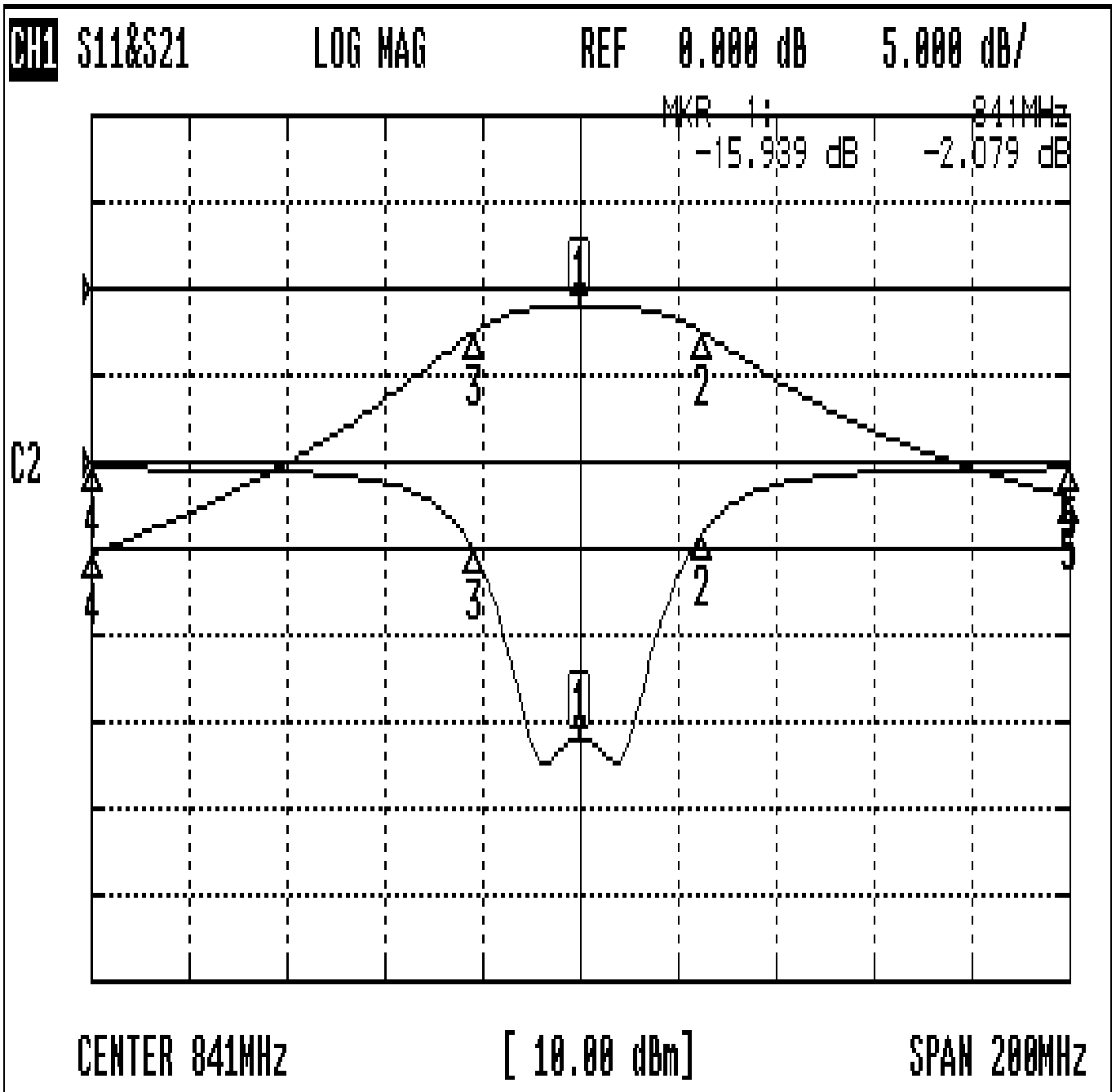


Approval	Supervisor	Designer	Aperture size
	C.S.Chang	P.H.Chiang	7H2(4*5.5)(5.61) 7H046LB5

TEMWELL CORPORATION

Performance- TD67640A-841M

20409079DB



CH1 MARKER LIST

1:	841.000MHz	-15.939 dB	-2.079 dB
2:	866.166MHz	-4.029 dB	-5.060 dB
3:	819.166MHz	-5.070 dB	-5.057 dB
4:	741.000MHz	-0.349 dB	-30.624 dB
5:	941.000MHz	-0.388 dB	-24.038 dB