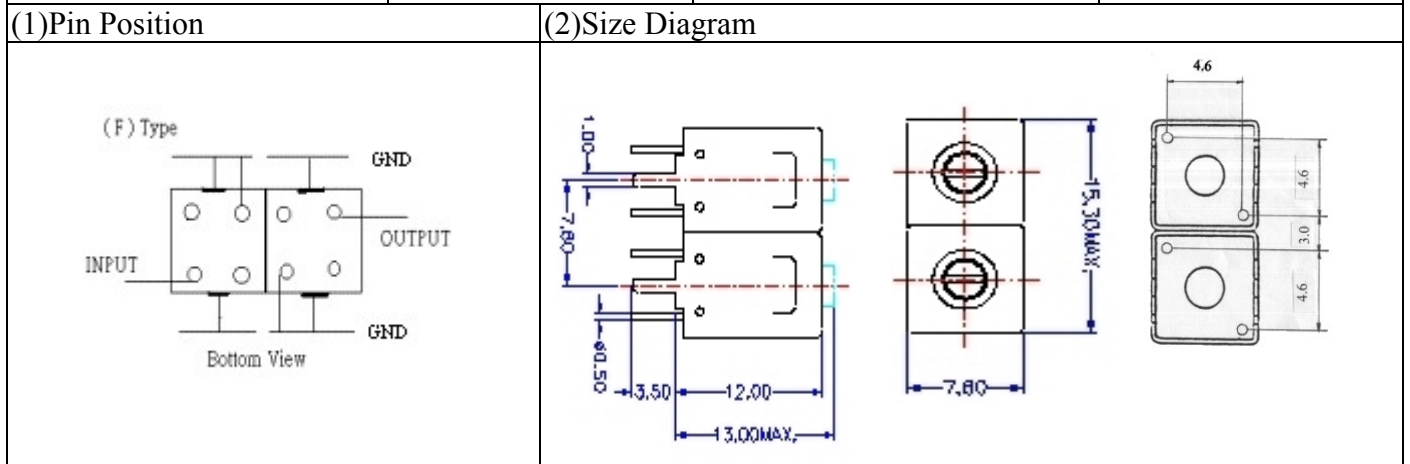


# VHF UHF Helical Filter Specification Sheet

Customer Name		Temwell's Part No.	TD67638F-440M
Approval No. /dated	20405052DB	Acceptable Specify Fo Range	401~455 MHz
Work Instruction No.	20405052DB	Date	



(3) Electric Characteristic		Item	Specify	Performance
Center Freq.(Fo) +/- 0.5 %			440 MHz	440 MHz
Tunable Range			440±5 MHz	440±5 MHz
Insertion Loss			TYP. 2.0 dB	1.13 dB
-3 dB Bandwidth			Typ. 20 MHz	24 MHz
Sensitivity (Attenuation)	Fo - (90 ) MHz		Typ. 50 dBc	59 dBc
	Fo +(50 ) MHz		Typ. 15 dBc	18 dBc
	Fo - ( )MHz		Typ. dBc	dBc
	Fo +( )MHz		Typ. dBc	dBc
Return Loss			Min. 12 dB	27.8 dB
Ripple			< 1 dB	dB
Impedance			In / Out : 50 Ω	In / Out : 50 Ω

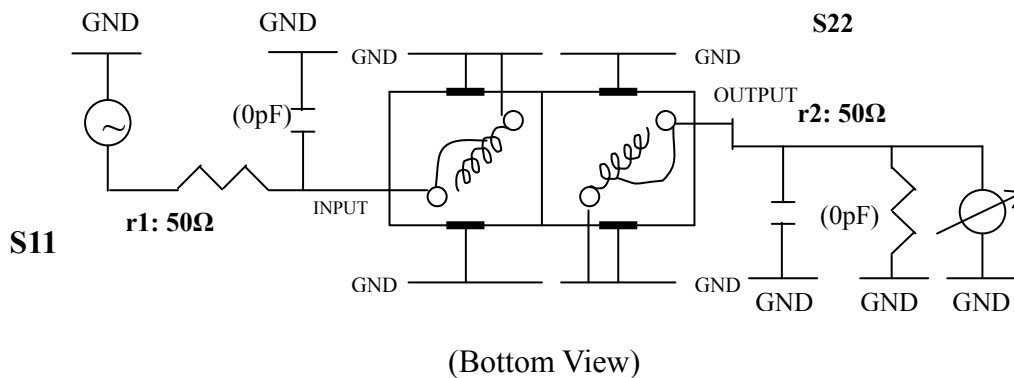
(4) Torque for Tuning Screw > 100gf · cm

(5) Temperature Condition:

Operating Temperature	0°C ~ +60°C
Storage Temperature	-20°C ~ +70°C

(6) Input Power > 1 Watt

(7) Measuring Circuit: ※Easy to match Impedance 50Ω by parallel with about (0 ) pF.



Approval	Supervisor	Designer	Aperture size
C.Y.Chang	C.S.Chang	C.S.Chang	7H2S(4*7.35)F 7H046LB4 聚 3

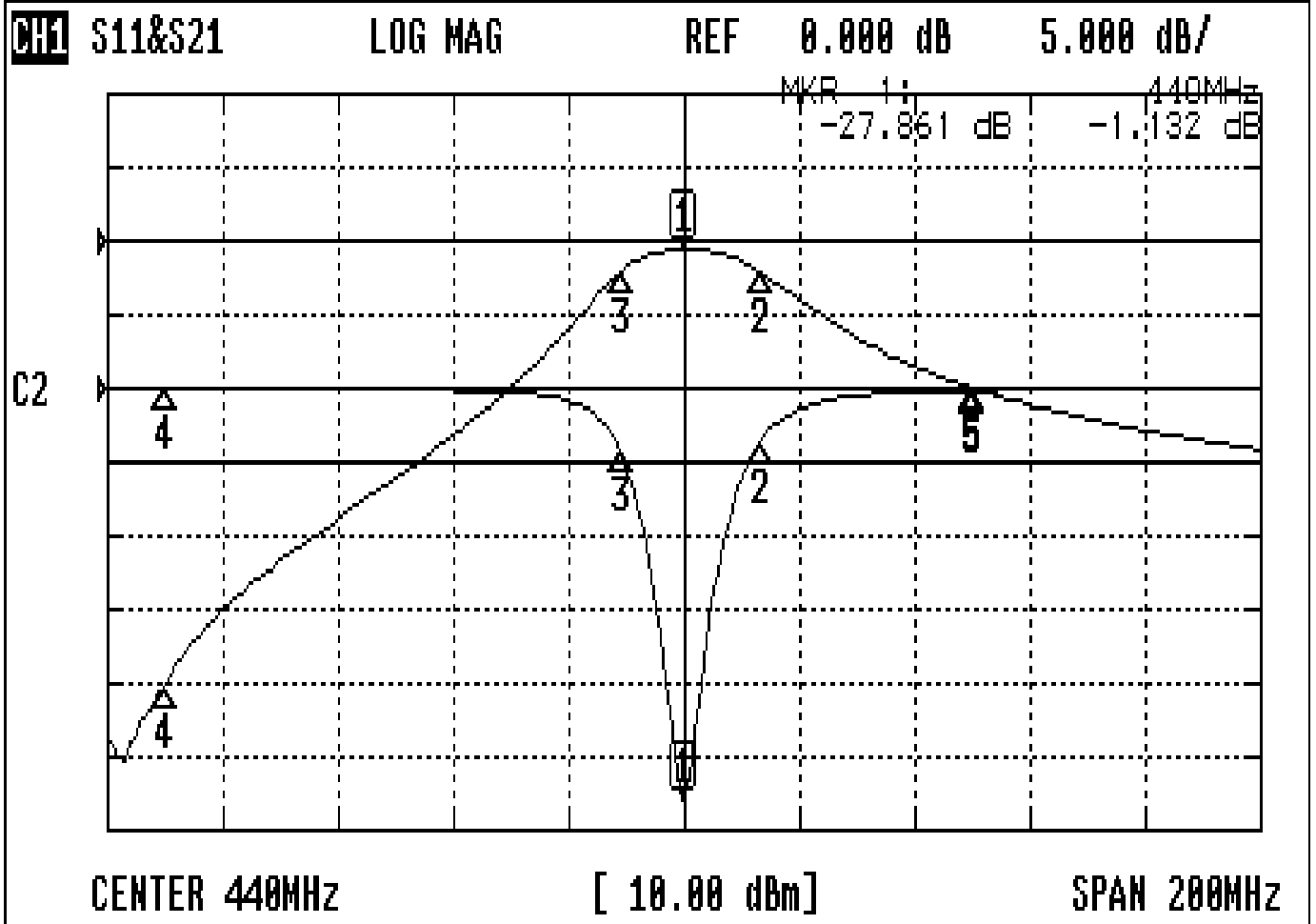
TEMWELL CORPORATION

TEMWELL

Form10-7H2F Vision D

# Performance-TD67638F-440M

## 20405052DB



### CH1 MARKER LIST

1:	440.000MHz	-27.861 dB	-1.132 dB
2:	453.166MHz	-3.694 dB	-4.111 dB
3:	429.000MHz	-4.175 dB	-4.113 dB
4:	350.000MHz	-0.056 dB	-60.329 dB
5:	490.000MHz	-0.163 dB	-19.880 dB
6:			
7:			
8:			
9:			
10:			