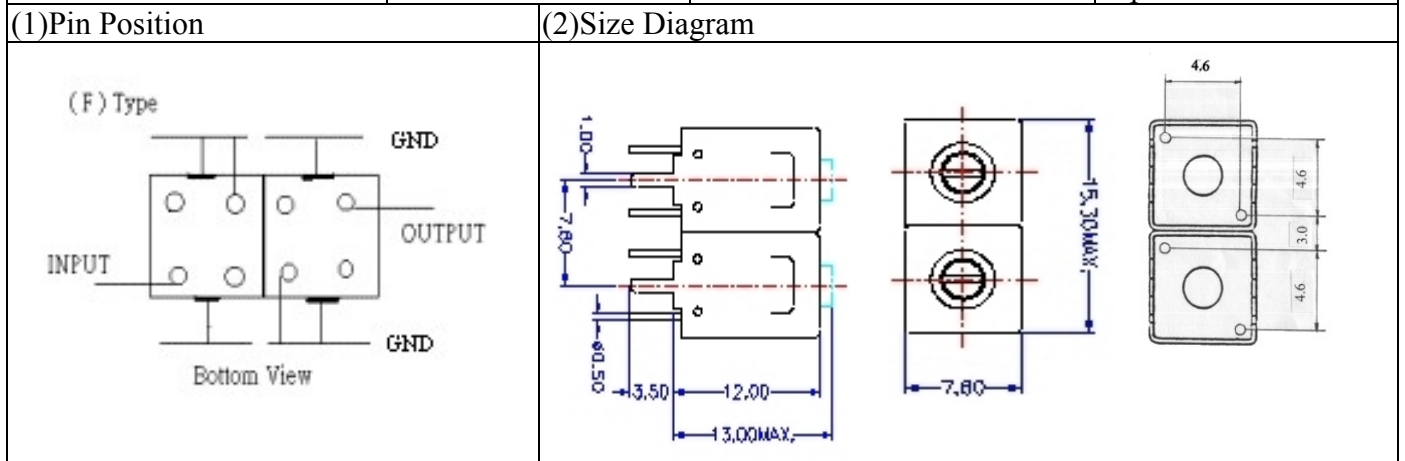


VHF UHF Helical Filter Specification Sheet

Customer Name		Temwell's Part No.	TD67634F-920M
Approval No. /dated	20404082APR	Acceptable Specify Fo Range	901~930 MHz
Work Instruction No.	20404082DC	Date	Sep.07.2006



(3) Electric Character

Item	Specify	Performance	
Center Freq.(Fo) +/- 0.5 %	920 MHz	920 MHz	
Tunable Range	920±5 MHz	920±5 MHz	
Insertion Loss	Typ. 1.5 dB	0.59 dB	
-3 dB Bandwidth	Typ. 90 MHz	103.7 MHz	
Sensitivity (Attenuation)	Fo - 200 MHz	Typ. 27 dBc	30 dBc
	Fo + 130 MHz	Typ. 10 dBc	13 dBc
	Fo - ()MHz	Typ. dBc	dBc
	Fo +()MHz	Typ. dBc	dBc
Return Loss	Min. 12 dB	38.3 dB	
Ripple	< 1 dB	dB	
Impedance	In / Out : 50 Ω	In / Out : 50 Ω	

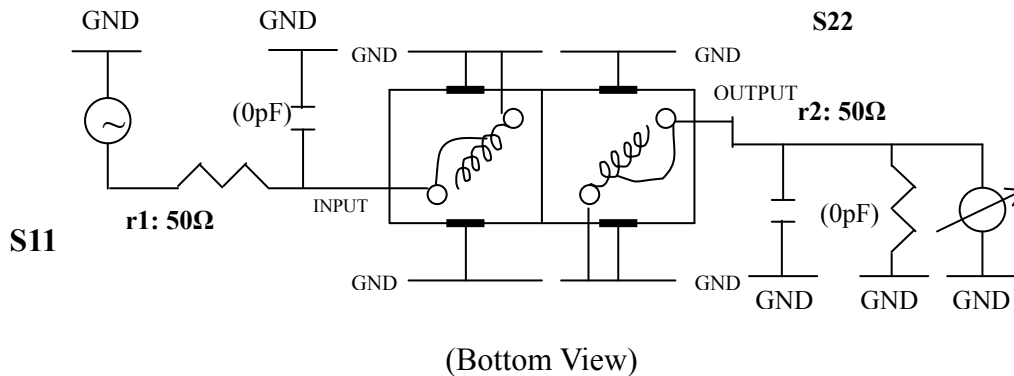
(4) Torque for Tuning Screw > 100gf · cm

(5) Temperature Condition:

Operating Temperature	0°C ~ +60°C
Storage Temperature	-20°C ~ +70°C

(6) Input Power > 1Watt

(7) Measuring Circuit: ※Easy to match Impedance 50Ω by parallel with about (0) pF.

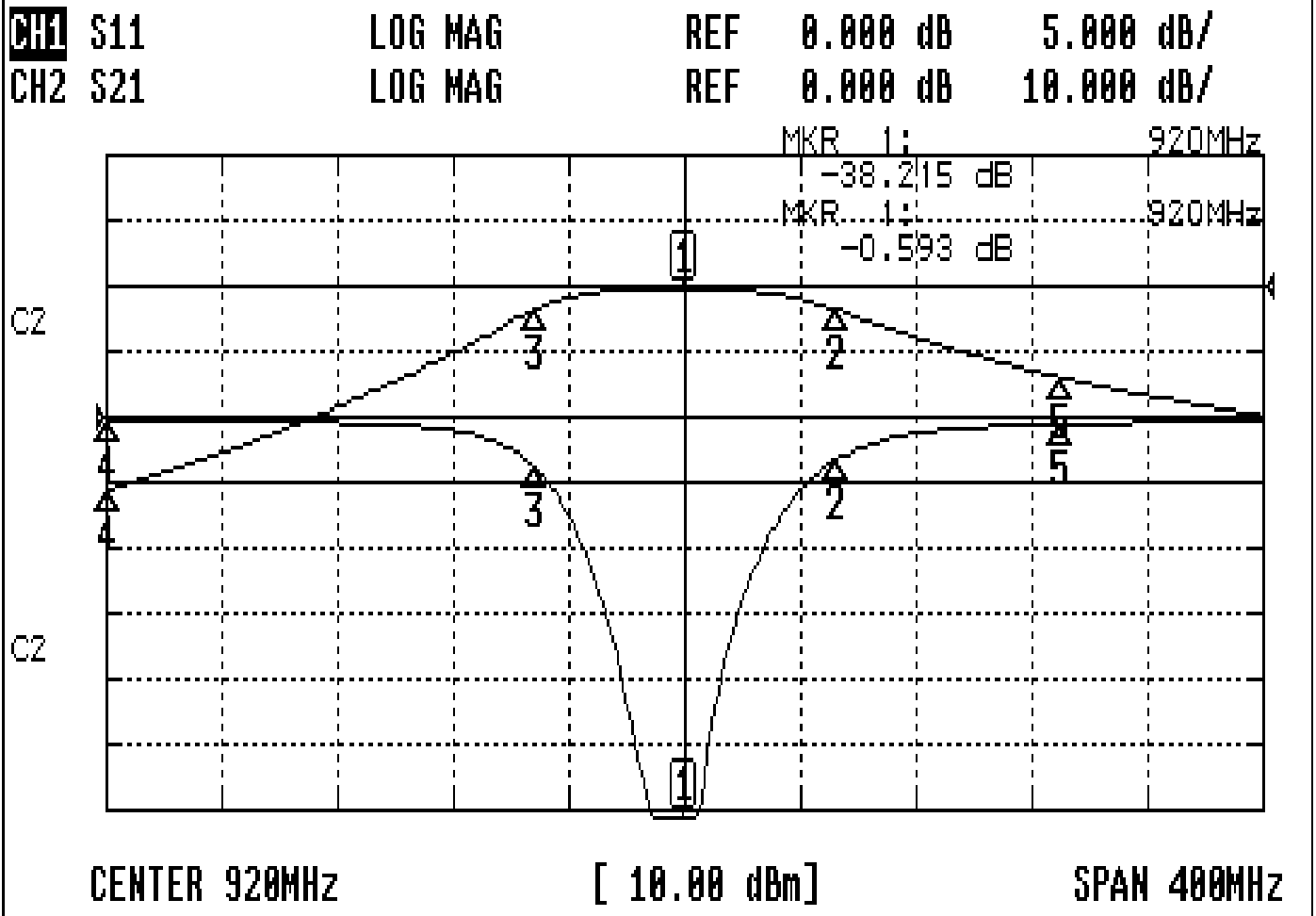


Approval	Supervisor	Designer	Aperture size
C.Y.Chang	C.S.Chang	W.W.Wang	7H2(4*8.0)F 7H046LB5.5

TEMWELL CORPORATION

Performance-TD67634F-920M

20404082DC



CH1 MARKER LIST

Marker	Frequency	Magnitude
1	920.000MHz	-38.317 dB
2	972.000MHz	-3.342 dB
3	868.333MHz	-3.876 dB
4	720.000MHz	-0.303 dB
5	1.050 000GHz	-0.531 dB

CH2 MARKER LIST

Marker	Frequency	Magnitude
1	920.000MHz	-0.593 dB
2	972.000MHz	-3.519 dB
3	868.333MHz	-3.618 dB
4	720.000MHz	-31.146 dB
5	1.050 000GHz	-13.987 dB