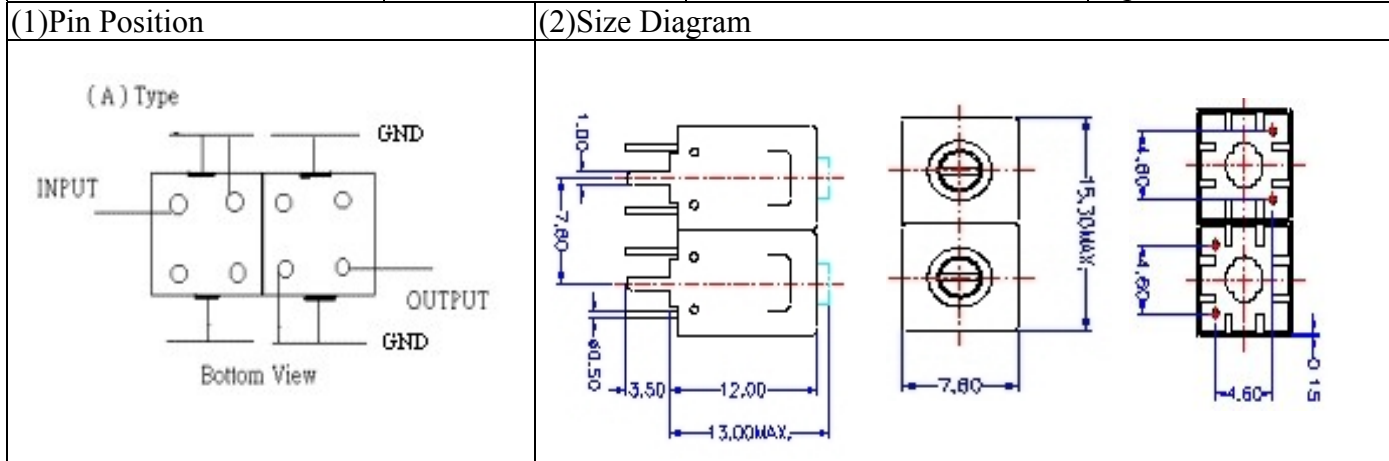


VHF UHF Helical Filter Specification Sheet

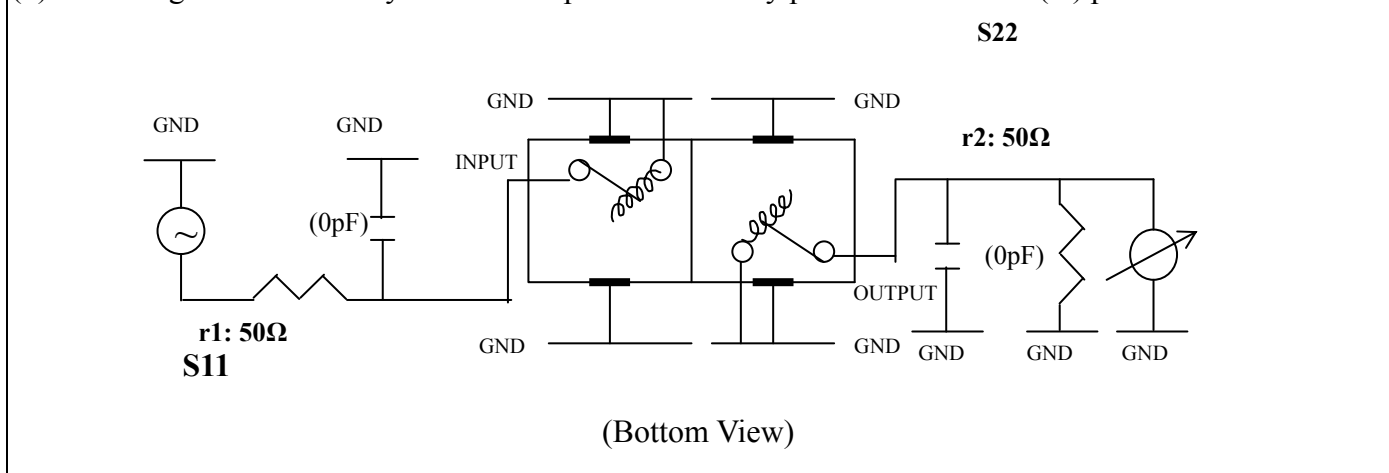
Customer Name		Temwell's Part No.	TD67521A-1000M
Approval No. /dated	20201026APR	Acceptable Specify Fo Range	976~1000 MHz
Work Instruction No.	20201026DC	Date	Sep.07.2006



(3) Electric Charasteric

Item	Specify	Performance	
Center Freq.(Fo) +/- 0.5 %	1000 MHz	1000 MHz	
Tunable Range	1000±5 MHz	1000±5 MHz	
Insertion Loss	Typ. 2.0 dB	0.88 dB	
-3 dB Bandwidth	Typ. 80 MHz	86.2 MHz	
Sensitivity (Attenuation)	Fo - 100 MHz	Typ. 13 dBc	16 dBc
	Fo + 100 MHz	Typ. 10 dBc	13 dBc
	Fo - ()MHz	Typ. dBc	dBc
	Fo +()MHz	Typ. dBc	dBc
Return Loss	Min. 12 dB	23.5 dB	
Ripple	< 1 dB	dB	
Impedance	In / Out : 50 Ω	In / Out : 50 Ω	
(4) Torque for Tuning Screw	> 100gf • cm		
(5) Temperature Condition:			
Operating Temperature	0°C ~ +60°C		
Storage Temperature	-20°C ~ +70°C		
(6) Input Power	> 1Watt		

(7) Measuring Circuit: ※Easy to match Impedance 50Ω/ by parallel with about (0) pF.



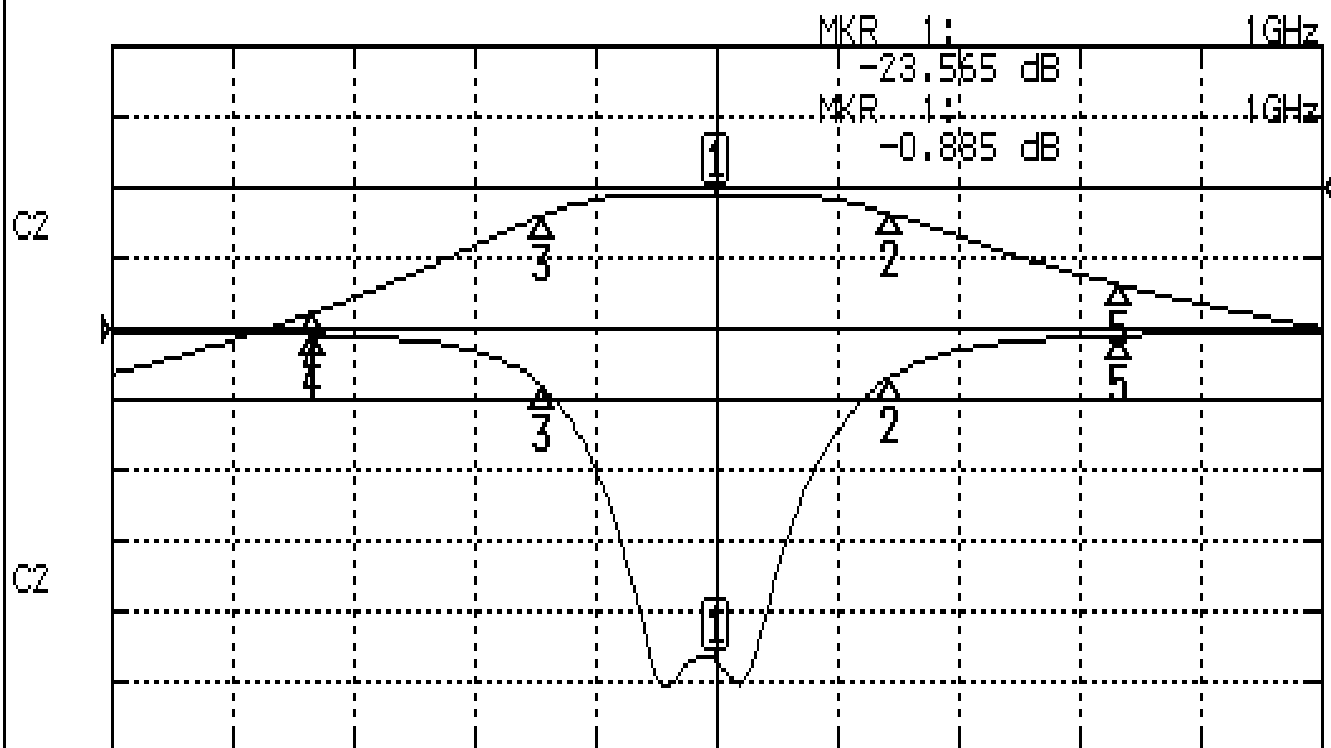
Approval	Supervisor	Designer	Aperture size
C.Y.Chang	C.S.Chang	W.W.Wang	7H2(4*7.35)F 7H046LB5.5

TEMWELL CORPORATION

Performance-TD67521A-1000M

20201026DC

CH1 S11 LOG MAG REF 0.000 dB 5.000 dB/
CH2 S21 LOG MAG REF 0.000 dB 10.000 dB/



CENTER 1GHz

[10.00 dBm]

SPAN 300MHz

CH1 MARKER LIST

1:	1.000 000GHz	-23.565 dB
2:	1.043 250GHz	-3.409 dB
3:	0.957 000MHz	-4.146 dB
4:	0.900 000MHz	-0.443 dB
5:	1.100 000GHz	-0.488 dB

CH2 MARKER LIST

1:	1.000 000GHz	-0.886 dB
2:	1.043 250GHz	-3.784 dB
3:	0.957 000MHz	-3.914 dB
4:	0.900 000MHz	-17.775 dB
5:	1.100 000GHz	-13.809 dB