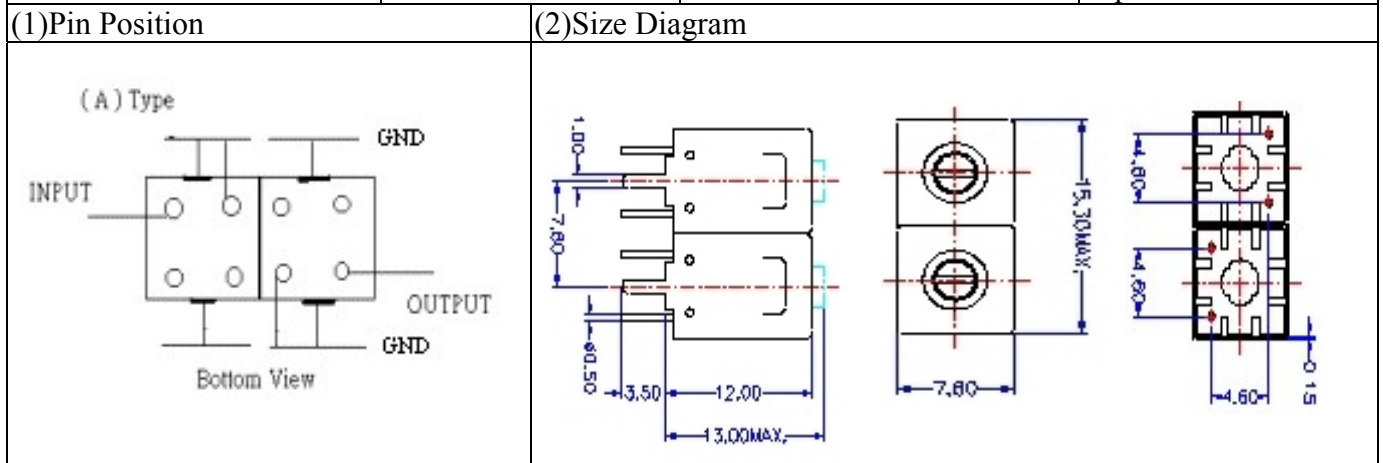


VHF UHF Helical Filter Specification Sheet

Customer Name		Temwell's Part No.	TD67515A-850M
Approval No. /dated	20201017APR	Acceptable Specify Fo Range	831~860 MHz
Work Instruction No.	20201017DC	Date	Sep.07.2006



(3) Electric Character

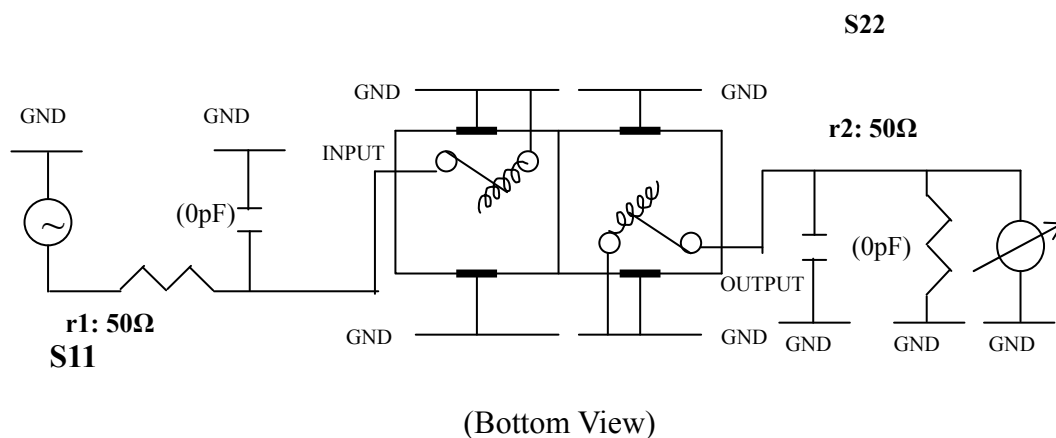
Item	Specify	Performance
Center Freq.(Fo) +/- 0.5 %	850 MHz	850 MHz
Tunable Range	850±5 MHz	850±5 MHz
Insertion Loss	Typ. 2.0 dB	0.52 dB
-3 dB Bandwidth	Typ. 90 MHz	100.3 MHz
Sensitivity (Attenuation)	Fo - 200 MHz	Typ. 28 dBc
	Fo + 200 MHz	Typ. 17 dBc
	Fo - ()MHz	Typ. dBc
	Fo +()MHz	Typ. dBc
Return Loss	Min. 12 dB	27.1 dB
Ripple	< 1 dB	dB
Impedance	In / Out : 50 Ω	In / Out : 50 Ω
(4) Torque for Tuning Screw	> 100gf · cm	

(5) Temperature Condition:

Operating Temperature	0°C ~ +60°C
Storage Temperature	-20°C ~ +70°C

(6) Input Power

(7) Measuring Circuit: ※Easy to match Impedance 50Ω/ by parallel with about (0) pF.

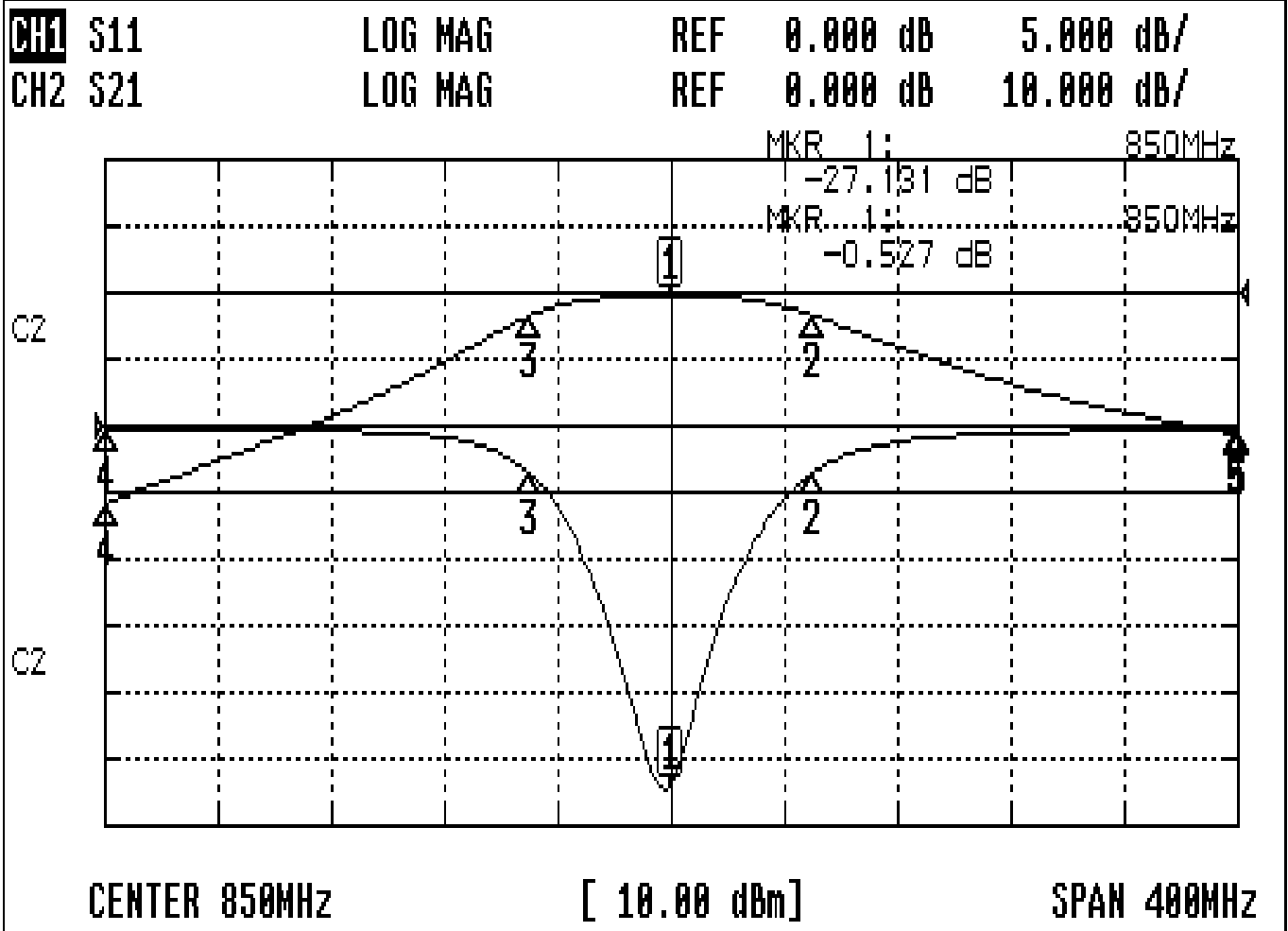


Approval	Supervisor	Designer	Aperture size
C.Y.Chang	C.S.Chang	W.W.Wang	7H2(4*7.5)F 7H046LB5.5

TEMWELL CORPORATION

Performance-TD67515A-850M

202017DC



CH1 MARKER LIST

1:	850.000MHz	-27.131	dB
2:	900.333MHz	-3.486	dB
3:	800.000MHz	-3.480	dB
4:	650.000MHz	-0.259	dB
5:	1.050000GHz	-0.353	dB

CH2 MARKER LIST

1:	850.000MHz	-0.527	dB
2:	900.333MHz	-3.490	dB
3:	800.000MHz	-3.564	dB
4:	650.000MHz	-1.588	dB
5:	1.050000GHz	-21.289	dB