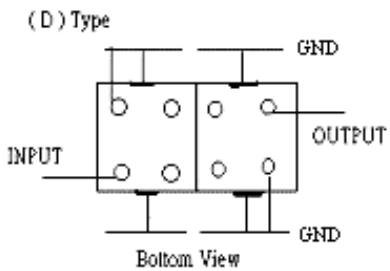
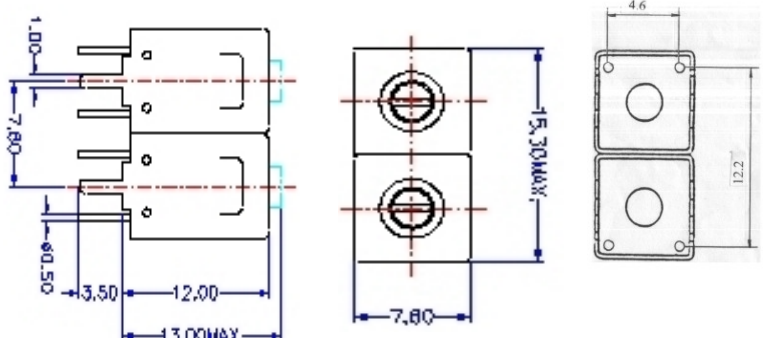


# VHF UHF Helical Filter Specification Sheet

Customer Name		Temwell's Part No.	TD6749D-530M
Approval No. /dated	20309020B	Acceptable Specify Fo. Range	516~555M
Work Instruction No.	20309020B	Date	Sept. 19, 2003

(1)Pin Position	(2)Size Diagram
 <p>(D) Type GND INPUT OUTPUT GND Bottom View</p>	

### (3)Electric Character

Item	Specify	Performance	
Center Freq.(Fo ) +/- 0.5 %	530 MHz	530 MHz	
Tunable Range:	530±5 MHz	530±5 MHz	
Insertion Loss	Typ. 2.5 dB	1.21 dB	
-3 dB Bandwidth	Typ. 25 MHz	30.5 MHz	
Sensitivity (Attenuation)	Fo - 100 MHz	Typ. 37 dBc	40 dBc
	Fo + 100 MHz	Typ. 24 dBc	27 dBc
	Fo - ( )MHz	Typ. dBc	dBc
	Fo +( )MHz	Typ. dBc	dBc
Return Loss	Min. 12 dB	16.2 dB	
Ripple	< 1 dB	dB	
Impedance	In / Out : 50 Ω	In / Out : 50 Ω	
(4)Torque for Tuning Screw	> 100gf • cm		

### (5)Temperature Condition:

Operating Temperature	0°C ~ +60°C
Storage Temperature	-20°C ~ +70°C

### (6)Input Power

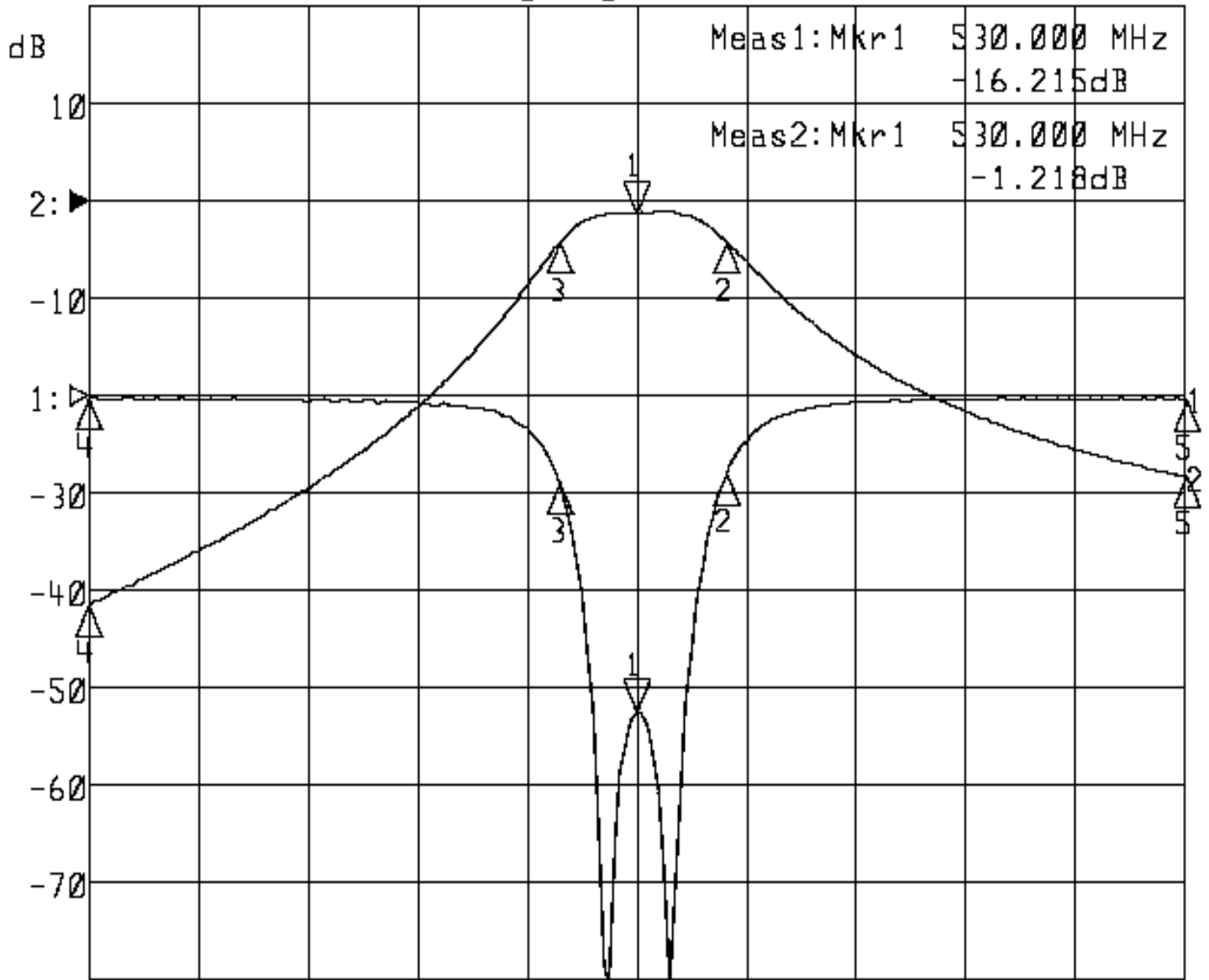
		> 1 Watt	
Approval	Supervisor	Designer	Aperture size
C.Y.Chang	C.S.Chang	C.S.Chang	7H2S(4*4.65) 7H046LB5

TEMWELL CORPORATION

# Performance-TD6749D-530M

20309020B

▷1: S22 Ref1 Port2 Log Mag 5.0 dB/ Ref 0.00 dB C  
 ▶2: S21 Fwd Trans Log Mag 10.0 dB/ Ref 0.00 dB C



Center 530.000 MHz

Span 200.000 MHz

1: Mkr (MHz)	dB	2: Mkr (MHz)	dB
1> 530.0000	-16.215	1> 530.0000	-1.218
2: 546.5333	-3.948	2: 546.5333	-4.226
3: 516.0333	-4.538	3: 516.0333	-4.237
4: 430.0000	-0.157	4: 430.0000	-41.461
5: 630.0000	-0.232	5: 630.0000	-28.372