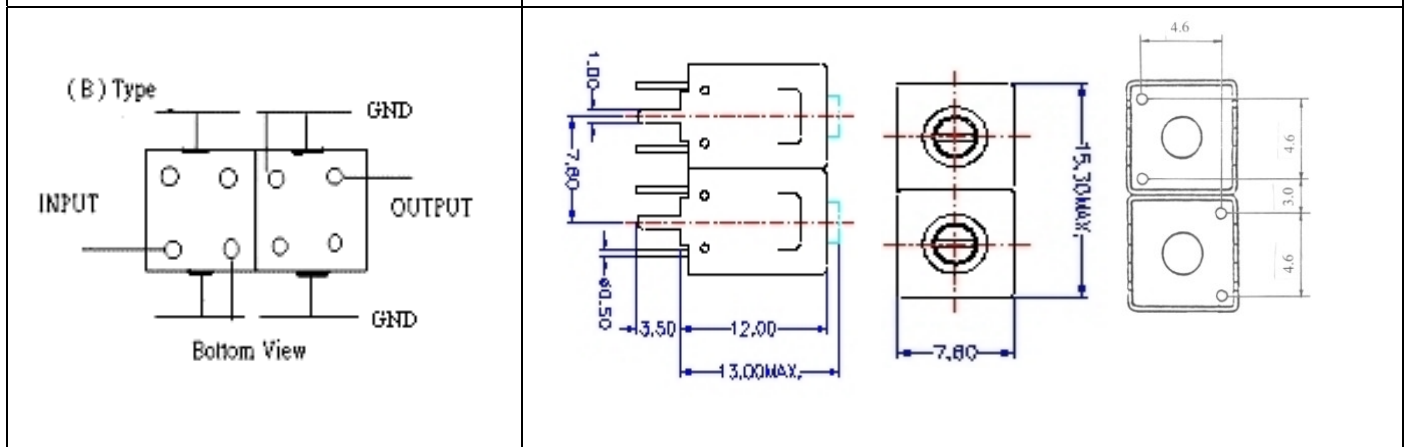


VHF UHF Helical Filter Specification Sheet

Customer Name		Temwell's Part No.	TD67494B-500M
Approval No. /dated	20112099DC	Acceptable Specify Fo. Range	456~515MHz
Work Instruction No.	20112099DC	Date	

(1)Pin Position	(2)Size Diagram
-----------------	-----------------



(3)Electric Character

Item	Specify	Performance	
Center Freq.(Fo) +/- 0.5 %	500 MHz	500 MHz	
Tunable Range	500±3 MHz	500±3 MHz	
Insertion Loss	Typ. 1.5 dB	0.47 dB	
-3 dB Bandwidth	Typ. 70 MHz	76.9 MHz	
Sensitivity (Attenuation)	Fo - 150 MHz	Typ. 18 dBc	
	Fo + 150 MHz	Typ. 22 dBc	
	Fo - ()MHz	Typ. dBc	
	Fo +()MHz	Typ. dBc	
Return Loss	Min. 12 dB	21.2 dB	
Ripple	< 1 dB	1 dB	
Impedance	In / Out : 50 Ω	In / Out : 50 Ω	
(4)Torque for Tuning Screw			
> 100gf • cm			
(5)Temperature Condition:			
Operating Temperature	0°C ~ +60°C		
Storage Temperature	-20°C ~ +70°C		
(6)Input Power			
> 1Watt			
Approval	Supervisor	Designer	Aperture size
C.Y.Chang	C.S.Chang	C.S.Chang	7H2S(4*7.5)F 7H046LB6

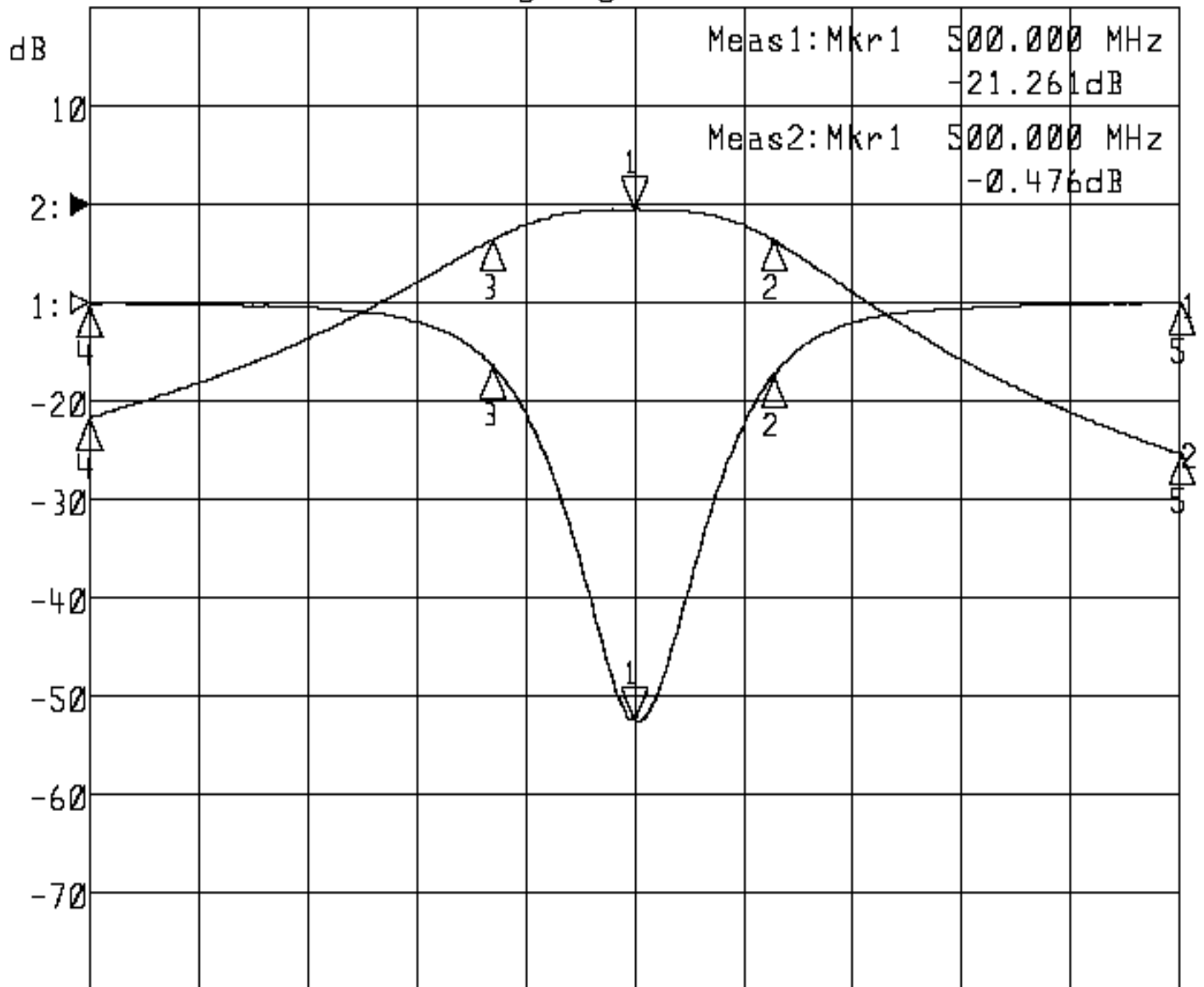
TEMWELL CORPORATION

Performance-TD67494B-500M

20112099DC

▷1:S11 Refl Port1 Log Mag 5.0 dB/ Ref 0.00 dB C

▶2:S21 Fwd Trans Log Mag 10.0 dB/ Ref 0.00 dB C



Center 500.000 MHz

Span 300.000 MHz

1: Mkr (MHz)	dB	2: Mkr (MHz)	dB
1> 500.0000	-21.261	1> 500.0000	-0.476
2: 538.1000	-3.707	2: 538.1000	-3.576
3: 461.2000	-3.205	3: 461.2000	-3.530
4: 350.0000	-0.073	4: 350.0000	-21.701
5: 650.0000	-0.051	5: 650.0000	-25.337