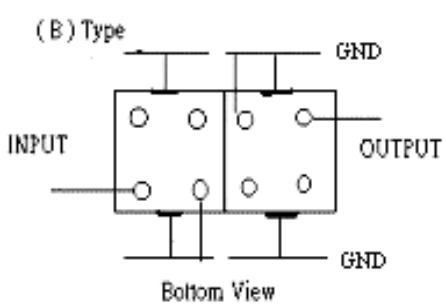
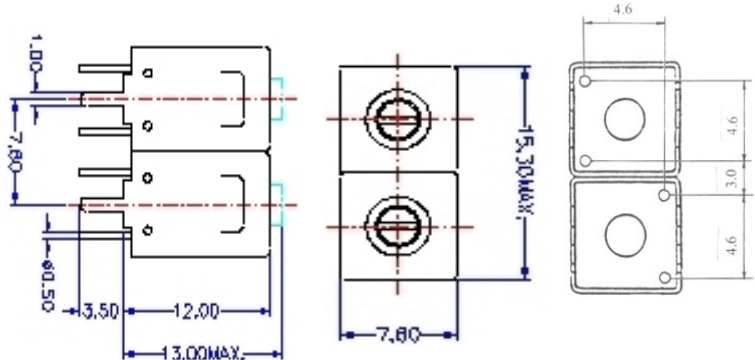


VHF UHF Helical Filter Specification Sheet

Customer Name		Temwell's Part No.	TD67490B-480M
Approval No. /dated	20112089DC	Acceptable Specify Fo. Range	456~515MHz
Work Instruction No.	20112089DC	Date	

(1)Pin Position	(2)Size Diagram
 <p>(B) Type INPUT OUTPUT GND GND Bottom View</p>	 <p>Dimensions: 1.00, 7.80, 0.50, 3.50, 12.00, 13.00MAX, 7.80, 15.30MAX, 4.6, 4.6, 3.0, 4.6</p>

(3)Electric Character

Item	Specify	Performance
Center Freq.(Fo) +/- 0.5 %	480 MHz	480 MHz
Tunable Range	480±5 MHz	480±5 MHz
Insertion Loss	Typ. 2.0 dB	1.06 dB
-3 dB Bandwidth	Typ. 20 MHz	22.2 MHz
Sensitivity (Attenuation)	Fo -50 MHz	Typ. 18 dBc
	Fo +50 MHz	Typ. 27 dBc
	Fo - ()MHz	Typ. dBc
	Fo +()MHz	Typ. dBc
Return Loss	Min. 12 dB	22.8 dB
Ripple	< 1 dB	1 dB
Impedance	In / Out : 50 Ω	In / Out : 50 Ω

(4)Torque for Tuning Screw > 100gf • cm

(5)Temperature Condition:

Operating Temperature	0°C ~ +60°C
Storage Temperature	-20°C ~ +70°C

(6)Input Power > 1Watt

Approval	Supervisor	Designer	Aperture size
C.Y.Chang	C.S.Chang	C.S.Chang	7H2S(4*6.5)F 7H046LB4 聚 3

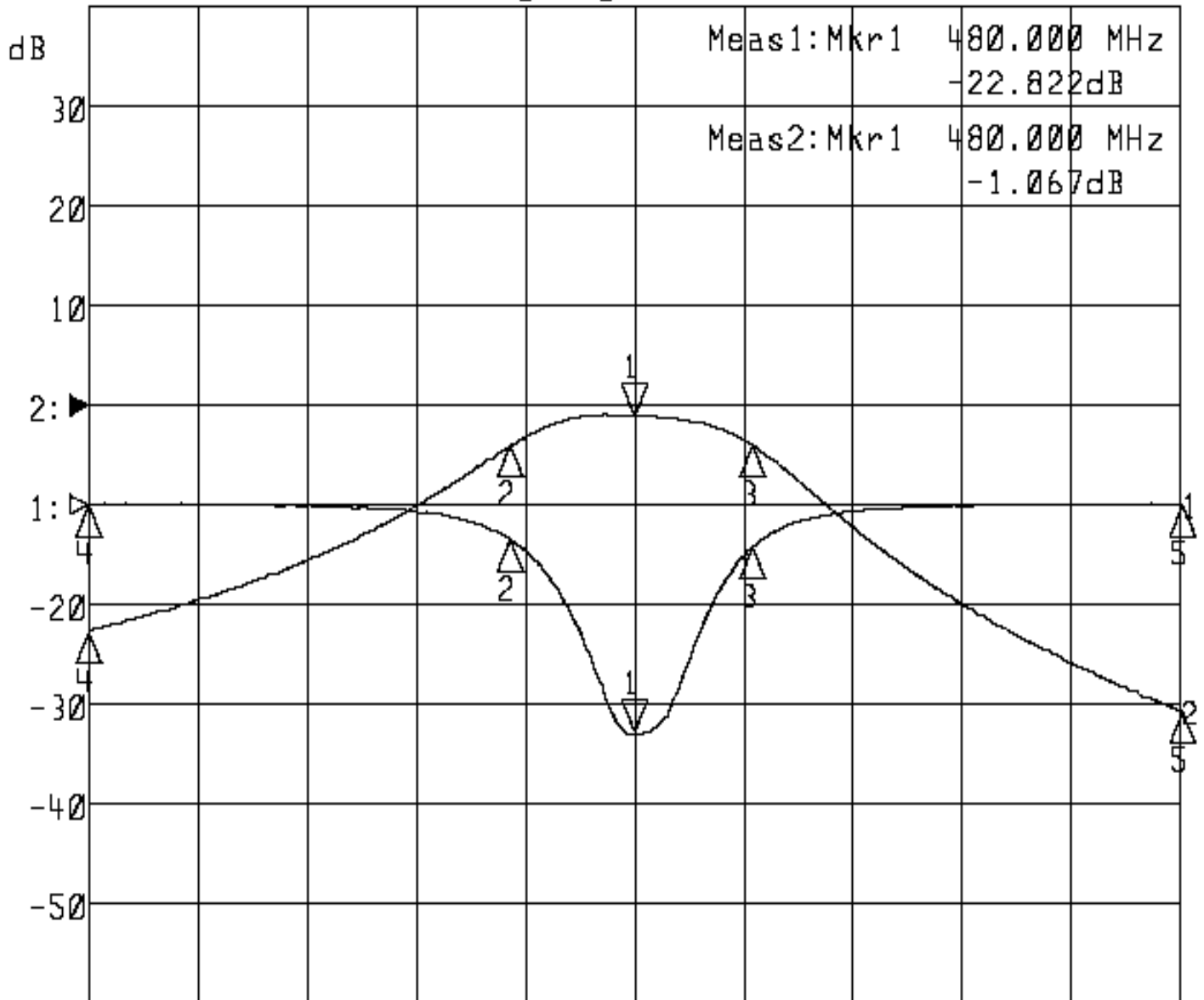
TEMWELL CORPORATION

Performance-TD67490B-480M

20112089DC

▶1: S11 Refl Port1 Log Mag 10.0 dB/ Ref 0.00 dB C

▶2: S21 Fwd Trans Log Mag 10.0 dB/ Ref 0.00 dB C



Center 480.000 MHz

Span 100.000 MHz

1: Mkr (MHz)	dB	2: Mkr (MHz)	dB
1> 480.0000	-22.822	1> 480.0000	-1.067
2: 468.6333	-3.413	2: 468.6333	-4.096
3: 490.8333	-4.230	3: 490.8333	-3.992
4: 430.0000	-0.064	4: 430.0000	-22.707
5: 530.0000	0.058	5: 530.0000	-30.638