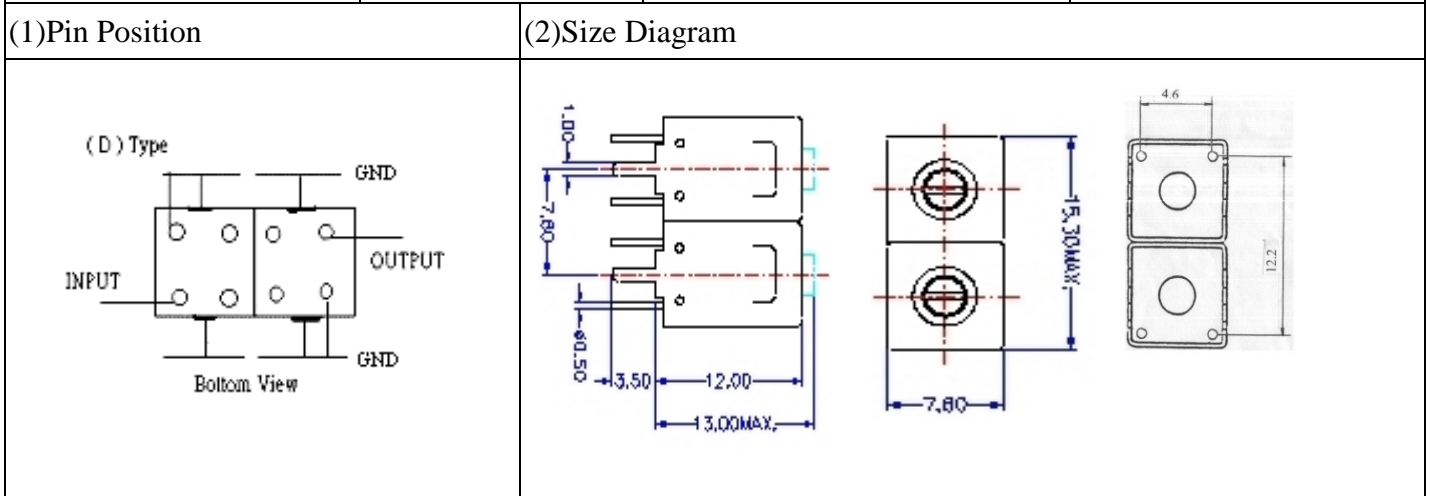


# VHF UHF Helical Filter Specification Sheet

Customer Name		Temwell's Part No.	TD6748D-524.9M
Approval No. /dated	2006032B	Acceptable Specify Fo. Range	516~555M
Work Instruction No.	2006032B	Date	Jun.26.2000



(3) Electric Character

Item	Specify	Performance	
Center Freq.(Fo) +/- 0.5 %	524.9 MHz	524.9 MHz	
Tunable Range:	524.9±5 MHz	524.9±5 MHz	
Insertion Loss	Typ. 2.5 dB	1.18 dB	
-3 dB Bandwidth	Typ. 17 MHz	22 MHz	
Sensitivity (Attenuation)	Fo - 50 MHz	Typ. 26 dBc	28 dBc
	Fo + 50 MHz	Typ. 19 dBc	21 dBc
	Fo - ( )MHz	Typ. dBc	dBc
	Fo +( )MHz	Typ. dBc	dBc
Return Loss	Min. 12 dB	23.8 dB	
Ripple	< 1 dB	dB	
Impedance	In / Out : 50 Ω	In / Out : 50 Ω	

(4) Torque for Tuning Screw > 100gf • cm

(5) Temperature Condition:

Operating Temperature	0°C ~ +60°C
Storage Temperature	-20°C ~ +70°C

(6) Input Power > 1Watt

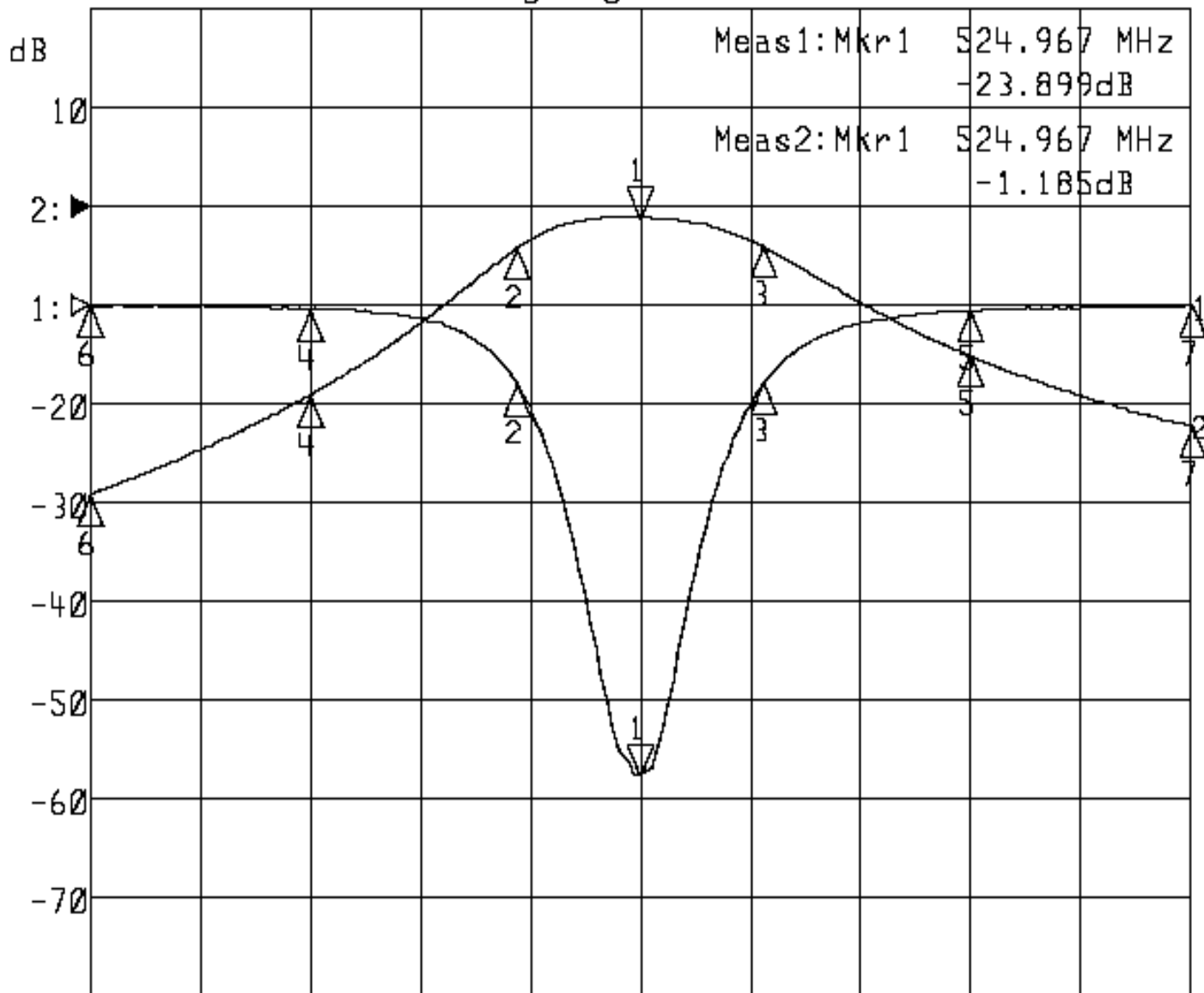
Approval	Supervisor	Designer	Aperture size
C.Y. Chang	C.S. Chang	C.S. Chang	7H2S(4*5.5) 7H046LB4 聚 3

TEMWELL CORPORATION

# Performance-TD6748D-524.9M

## 2006032B

▶1: S11 Refl Port1 Log Mag 5.0 dB/ Ref 0.00 dB C  
 ▶2: S21 Fwd Trans Log Mag 10.0 dB/ Ref 0.00 dB C



Center 525.000 MHz

Span 100.000 MHz

1: Mkr (MHz)	dB	2: Mkr (MHz)	dB
1> 524.9667	-23.899	1> 524.9667	-1.185
2: 513.8333	-3.968	2: 513.8333	-4.178
3: 536.2667	-3.931	3: 536.2667	-4.121
4: 495.0000	-0.236	4: 495.0000	-19.128
5: 555.0000	-0.305	5: 555.0000	-15.087
6: 475.0000	-0.052	6: 475.0000	-29.182
7: 575.0000	-0.045	7: 575.0000	-22.229