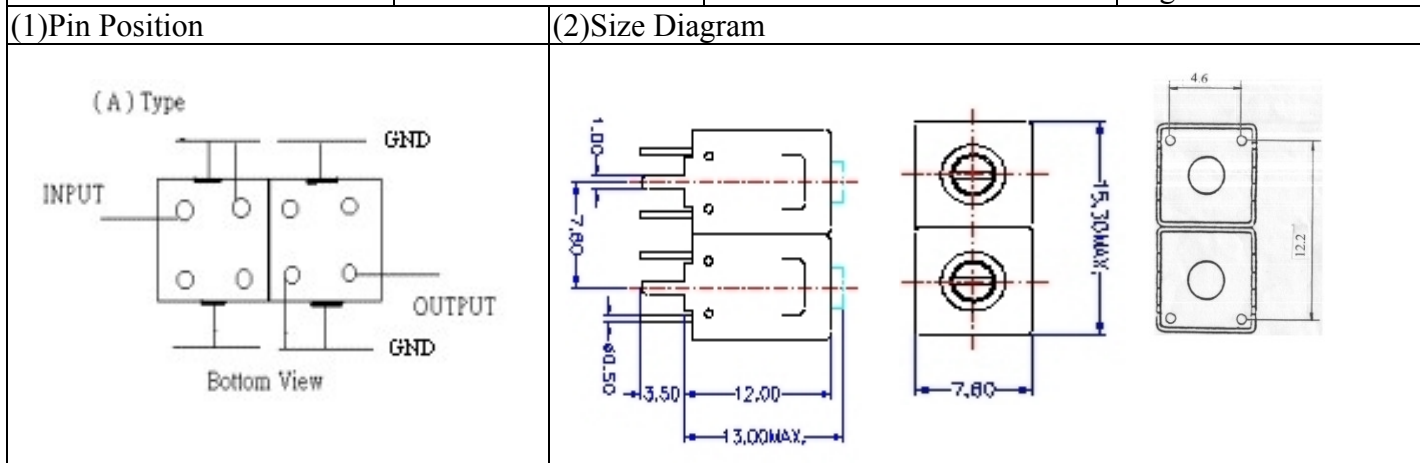


VHF UHF Helical Filter Specification Sheet

Customer Name		Temwell's Part No.	TD6748A-525M
Approval No. /dated	0608019APR	Acceptable Specify Fo Range	516~555MHz
Work Instruction No.	0608019B	Date	Aug.23.2006



(3) Electric Characteristic			
Item		Specify	Performance
Center Freq.(Fo) +/- 0.5 %		525 MHz	525 MHz
Tunable Range		525±5 MHz	525±5 MHz
Insertion Loss		Typ. 4 dB	2.81 dB
-3 dB Bandwidth		Typ. 10 MHz	12.2 MHz
Sensitivity (Attenuation)	Fo - 20 MHz	Typ. 16 dBc	19 dBc
	Fo + 20 MHz	Typ. 13 dBc	16 dBc
	Fo - ()MHz	Typ. dBc	dBc
	Fo + ()MHz	Typ. dBc	dBc
Return Loss		Min. 12 dB	22.9 dB
Ripple		< 1 dB	dB
Impedance		In / Out : 50 Ω	In / Out : 50 Ω

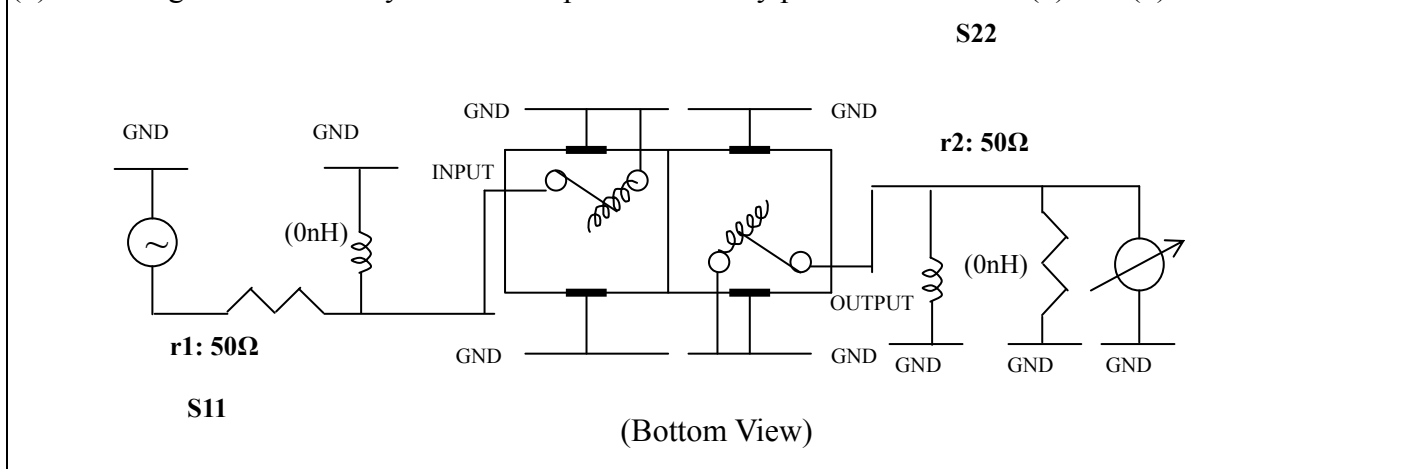
(4) Torque for Tuning Screw > 100gf · cm

(5) Temperature Condition:

Operating Temperature	0°C ~ +60°C
Storage Temperature	-20°C ~ +70°C

(6) Input Power > 1 Watt

(7) Measuring Circuit: ※Easy to match Impedance 50Ω by parallel with about (0)nH./ (0) nH



Approval	Supervisor	Designer	Aperture size
C.Y.Chang	C.S.Chang	P.H.Chiang	7H2(4*4.65)(4.68) 7H046LB4 聚 3

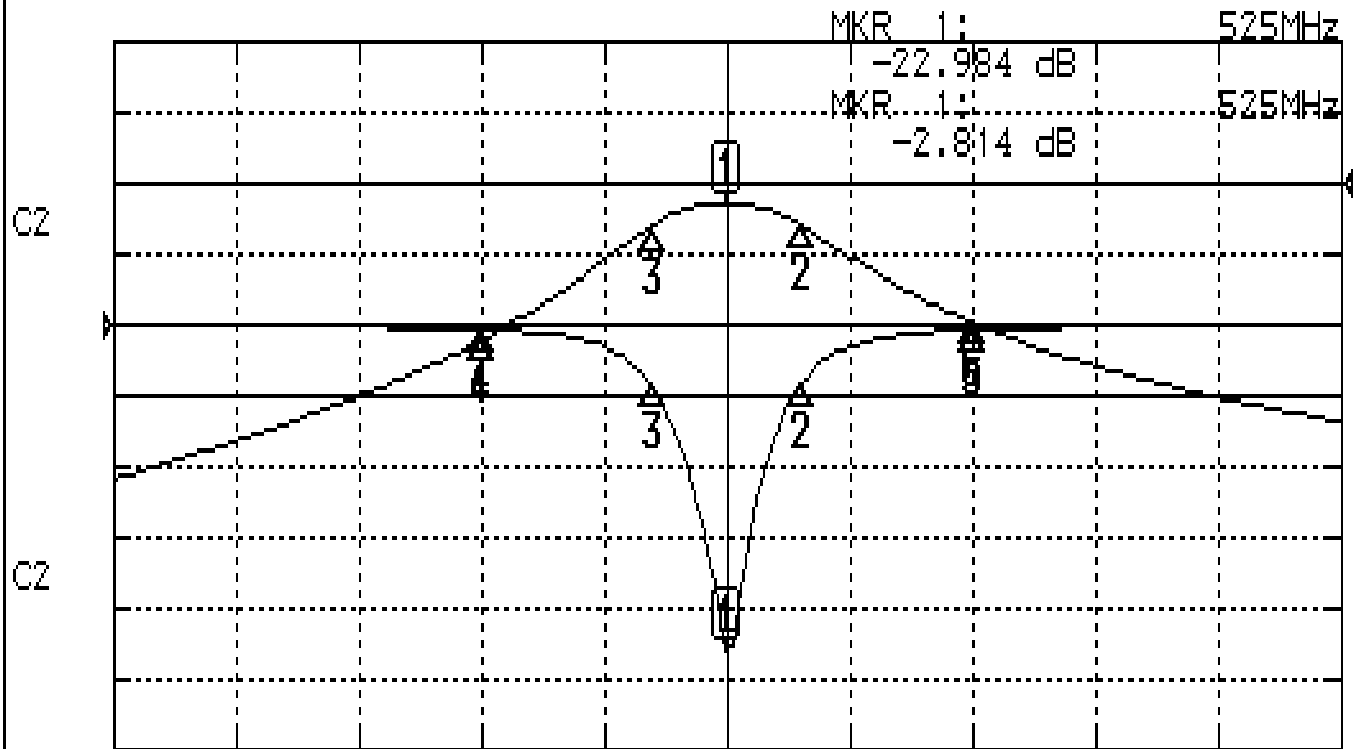
TEMWELL CORPORATION

TEMWELL RP(p.h)

Performance-TD6748A-525M

0608019B

CH1 S11 LOG MAG REF 0.000 dB 5.000 dB/
CH2 S21 LOG MAG REF 0.000 dB 10.000 dB/



CENTER 525MHz

[10.00 dBm]

SPAN 100MHz

CH1 MARKER LIST

1:	525.000MHz	-22.984 dB
2:	531.000MHz	-4.256 dB
3:	518.833MHz	-4.266 dB
4:	505.000MHz	-0.289 dB
5:	545.000MHz	-0.290 dB

CH2 MARKER LIST

1:	525.000MHz	-2.814 dB
2:	531.000MHz	-15.826 dB
3:	518.833MHz	-15.816 dB
4:	505.000MHz	-22.044 dB
5:	545.000MHz	-19.645 dB