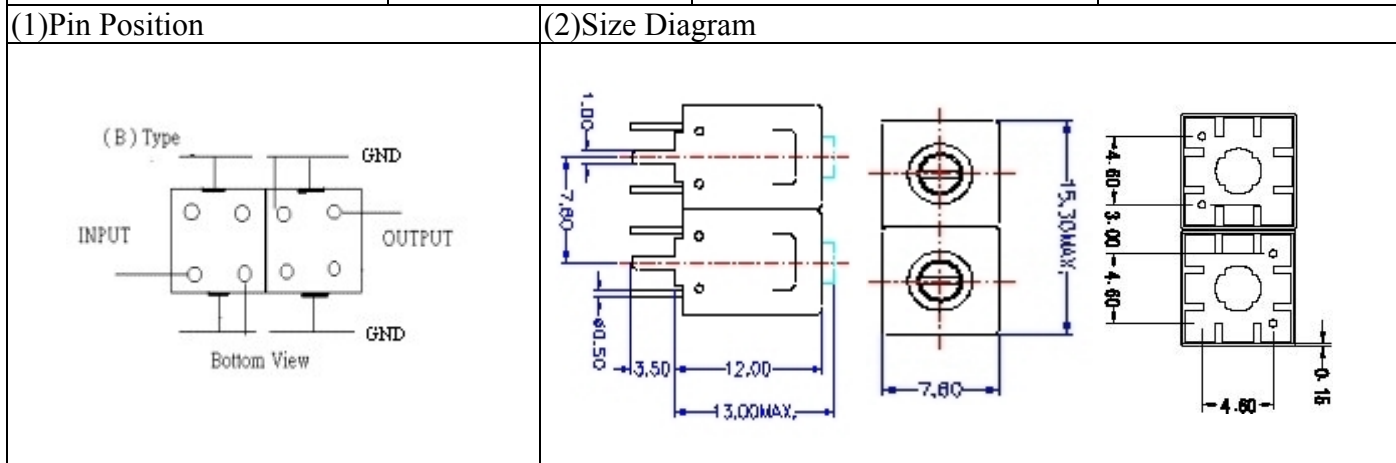


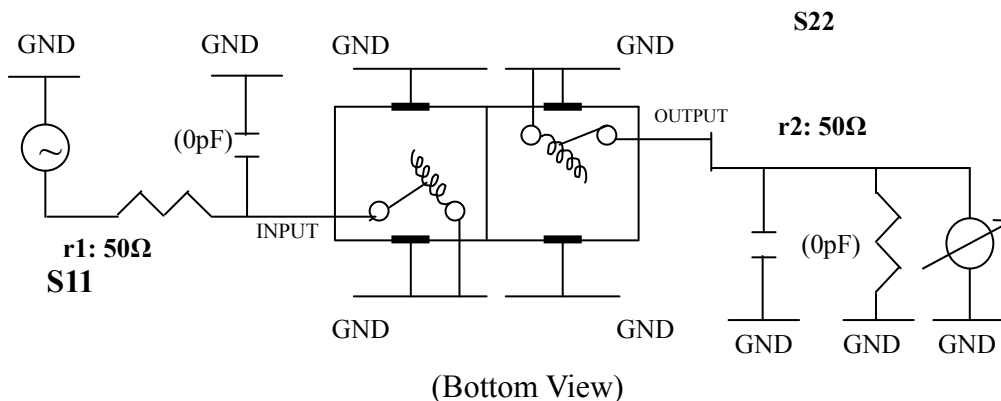
VHF UHF Helical Filter Specification Sheet

Customer Name		Temwell's Part No.	TD67480B-385M
Approval No. /dated	0906091APR	Temwell's Print name.	67480B 385M
Work Instruction No.	200907065ED	Date	Jul.17.2009



(3) Electric Characteristic		Item	Specify	Performance
		Center Freq.(Fo) +/- 0.75 %	385 MHz	385 MHz
		Insertion Loss	Typ. 2.0 dB	1.66 dB
		-1 dB Bandwidth	Typ. 4.0 MHz	9.6 MHz
		-3 dB Bandwidth	Typ. 12 MHz	14.3 MHz
Sensitivity (Attenuation)	Fo - 40 MHz	Typ. 35 dB		39 dB
	Fo + 40 MHz	Typ. 25 dB		27 dB
	Fo - ()MHz	Typ. dB		dB
	Fo +()MHz	Typ. dB		dB
		Return Loss	Min. 12 dB	23.4 dB
		Ripple	< 1 dB	dB
		Impedance	In / Out : 50 Ω	In / Out : 50 Ω
(4) Torque for Tuning Screw			> 100gf · cm	
(5) Temperature Condition:				
Operating Temperature			-30°C ~ +70°C	
Storage Temperature			-30°C ~ +80°C	
(6) Input Power			> 1Watt	

(7) Measuring Circuit: ※Easy to match Impedance S11/S22 50Ω by parallel with about (0) pF.



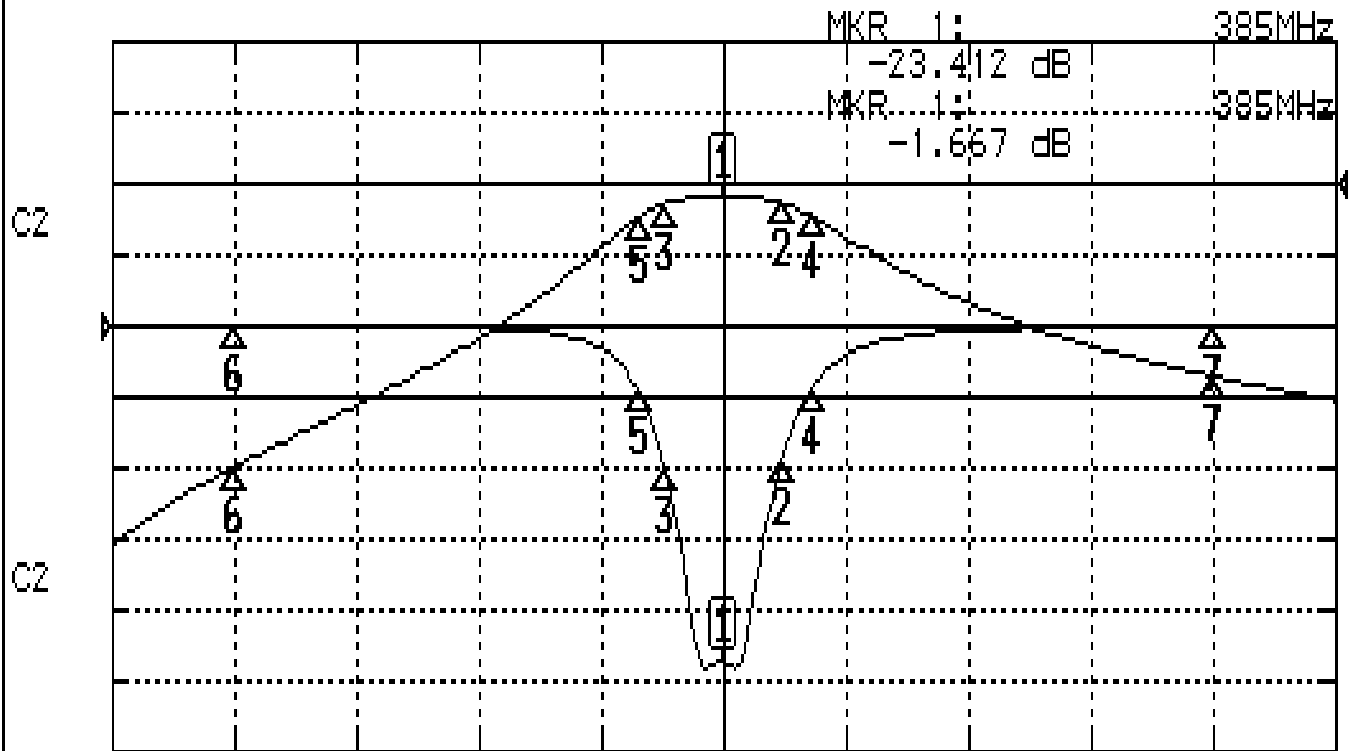
Approval	Supervisor	Designer	Aperture size
C.Y.Chang	C.K.Chang	Y..H.Yeh	7H2S(4*6.35)(6.45) 7H046RB4

TEMWELL CORPORATION

Performance-TD67480B-385M

200907065ED

CH1 S11 LOG MAG REF 0.000 dB 5.000 dB/
 CH2 S21 LOG MAG REF 0.000 dB 10.000 dB/



CENTER 385MHz

[10.00 dBm]

SPAN 100MHz

CH1 MARKER LIST

1	385.000MHz	-23.410	0.000
2	389.833MHz	-19.272	0.000
3	390.250MHz	-19.633	0.000
4	392.375MHz	-14.271	0.000
5	370.083MHz	-14.550	0.000
6	345.000MHz	0.061	0.000
7	425.000MHz	0.028	0.000

CH2 MARKER LIST

1	385.000MHz	-1.666	0.000
2	389.833MHz	-1.200	0.000
3	390.250MHz	-1.000	0.000
4	392.375MHz	-1.000	0.000
5	370.083MHz	-3.900	0.000
6	345.000MHz	-39.027	0.000
7	425.000MHz	-27.048	0.000