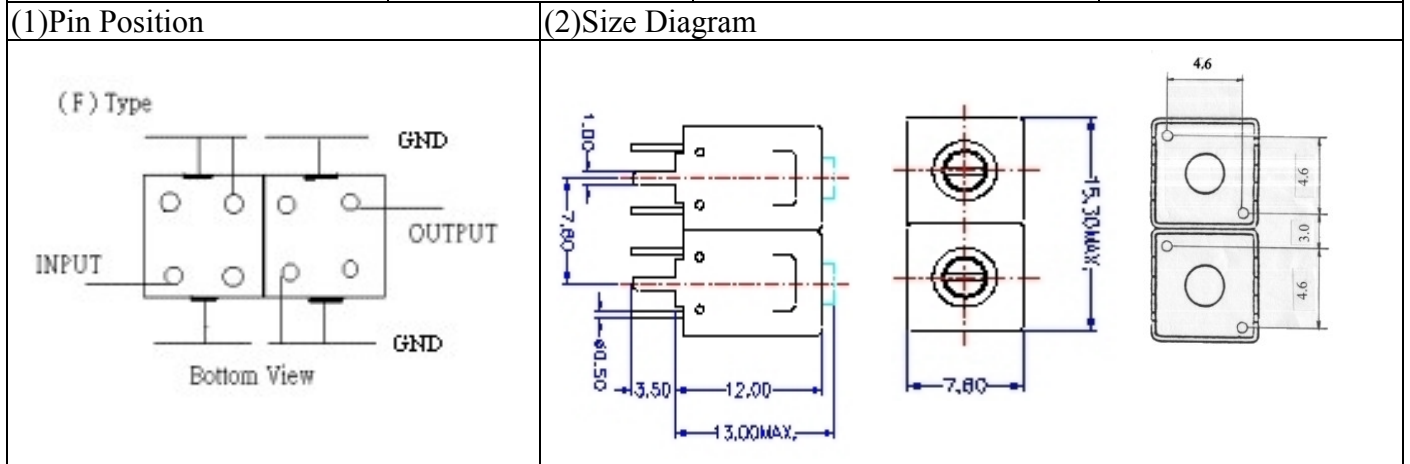


VHF UHF Helical Filter Specification Sheet

Customer Name		Temwell's Part No.	TD6747F-460M
Approval No. /dated	20109036APR	Acceptable Specify Fo Range	456~515 MHz
Work Instruction No.	20109036A	Date	Aug.23.2006



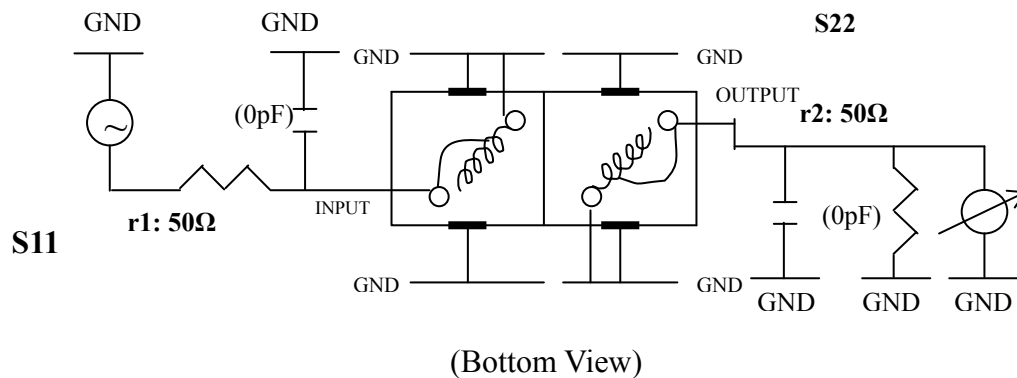
(3) Electric Character			
Item		Specify	Performance
Center Freq.(Fo) +/- 0.5 %		460 MHz	460 MHz
Tunable Range		460±5 MHz	460±5 MHz
Insertion Loss		Typ. 2.0 dB	1.21 dB
-3 dB Bandwidth		Typ. 20 MHz	23.9 MHz
Sensitivity (Attenuation)	Fo - 50 MHz	Typ. 27 dBc	31 dBc
	Fo + 50 MHz	Typ. 17 dBc	21 dBc
	Fo - ()MHz	Typ. dBc	dBc
	Fo +()MHz	Typ. dBc	dBc
Return Loss		Min. 12 dB	25.9 dB
Ripple		< 1 dB	dB
Impedance		In / Out : 50 Ω	In / Out : 50 Ω

(4) Torque for Tuning Screw > 100gf · cm

(5) Temperature Condition:	
Operating Temperature	0°C ~ +60°C
Storage Temperature	-20°C ~ +70°C

(6) Input Power > 1 Watt

(7) Measuring Circuit: ※Easy to match Impedance 50Ω by parallel with about (0) pF.

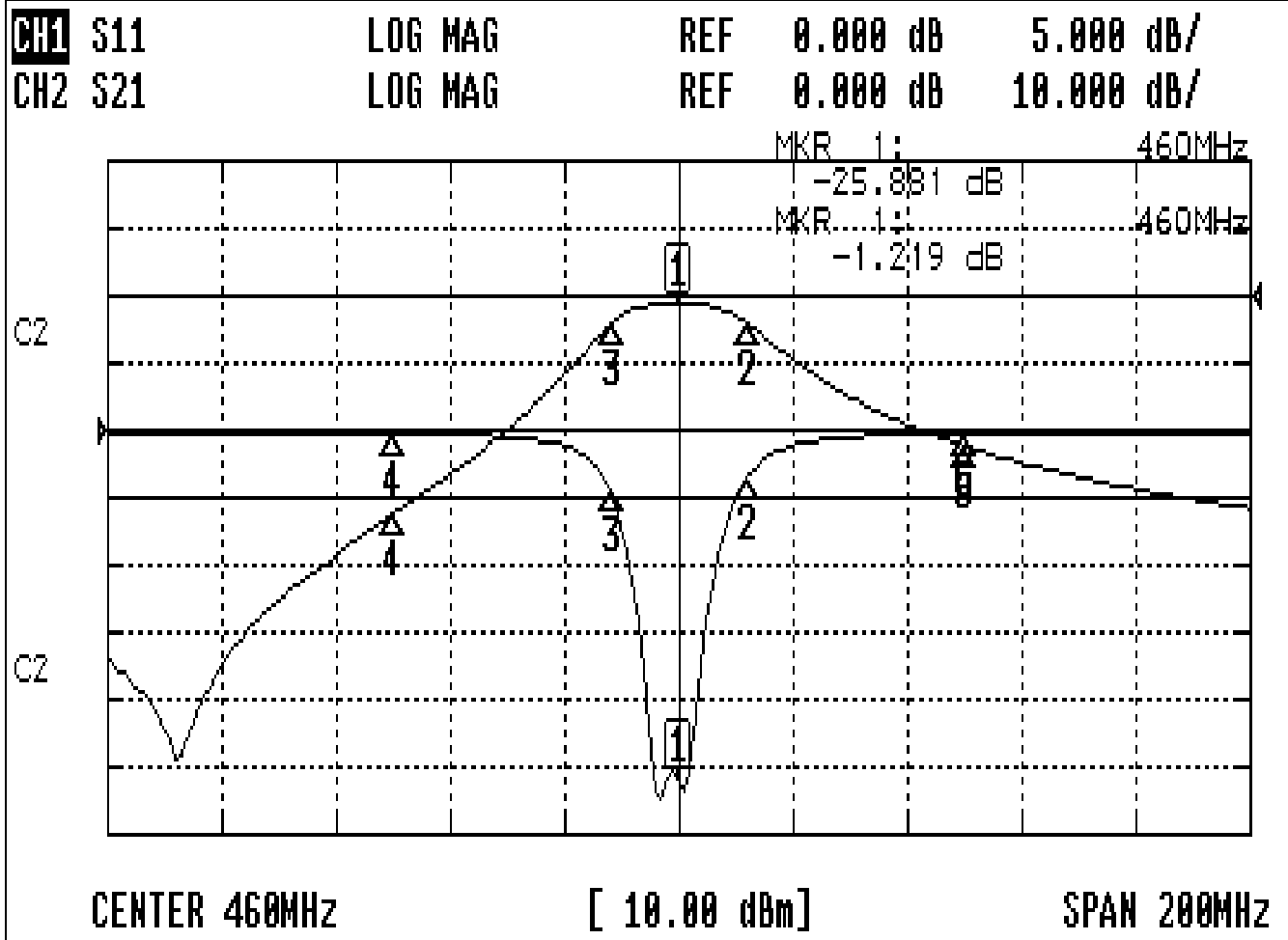


Approval	Supervisor	Designer	Aperture size
C.Y.Chang	C.S.Chang	W.W.Wang	7H2(4*6.5)F 7H046LB4 聚 3

TEMWELL CORPORATION

Performance-TD6747F-460M

20109036A



CH1 MARKER LIST

1:	460.000MHz	-25.911	dB
2:	472.000MHz	-3.606	dB
3:	448.166MHz	-4.704	dB
4:	410.000MHz	-0.279	dB
5:	510.000MHz	-0.283	dB

CH2 MARKER LIST

1:	460.000MHz	-1.219	dB
2:	472.000MHz	-4.200	dB
3:	448.166MHz	-4.230	dB
4:	410.000MHz	-32.000	dB
5:	510.000MHz	-22.637	dB