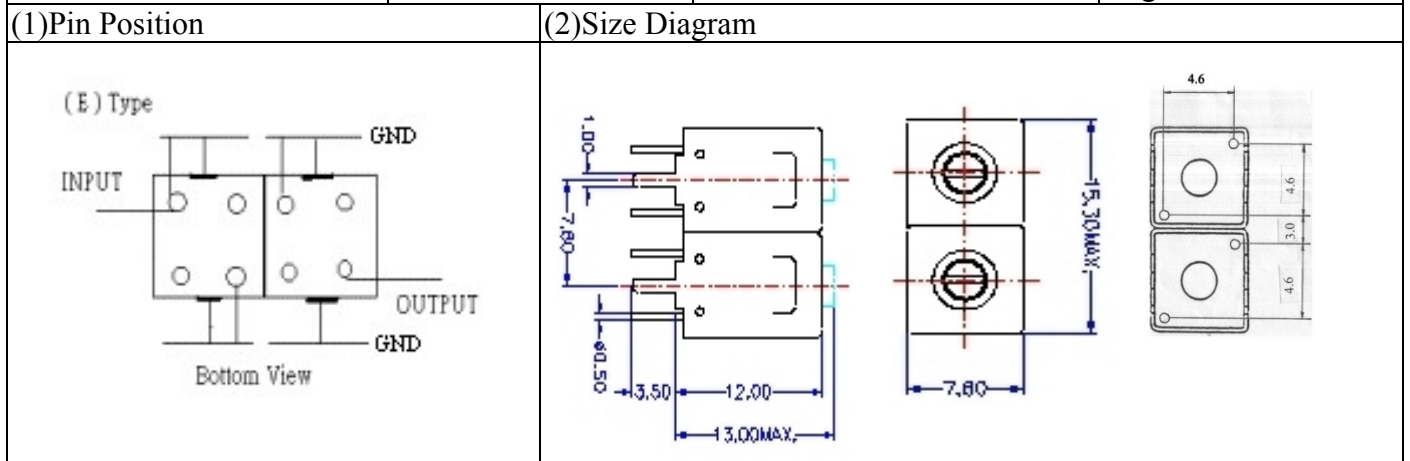


VHF UHF Helical Filter Specification Sheet

Customer Name		Temwell's Part No.	TD6747E-460M
Approval No. /dated	2007067APR	Acceptable Specify Fo Range	456~515 MHz
Work Instruction No.	2007067B	Date	Aug.08.2006



(3) Electric Characteristic

Item	Specify	Performance	
Center Freq.(Fo) +/- 0.5 %	460 MHz	460 MHz	
Tunable Range	460±5 MHz	460±5 MHz	
Insertion Loss	Typ. 2.0 dB	1.08 dB	
-3 dB Bandwidth	Typ. 24 MHz	26.8 MHz	
Sensitivity (Attenuation)	Fo - 50 MHz	Typ. 15 dBc	18 dBc
	Fo + 50 MHz	Typ. 22 dBc	25 dBc
	Fo - ()MHz	Typ. dBc	dBc
	Fo +()MHz	Typ. dBc	dBc
Return Loss	Min. 12 dB	19.6 dB	
Ripple	< 1 dB	dB	
Impedance	In / Out : 50 Ω	In / Out : 50 Ω	

(4) Torque for Tuning Screw > 100gf · cm

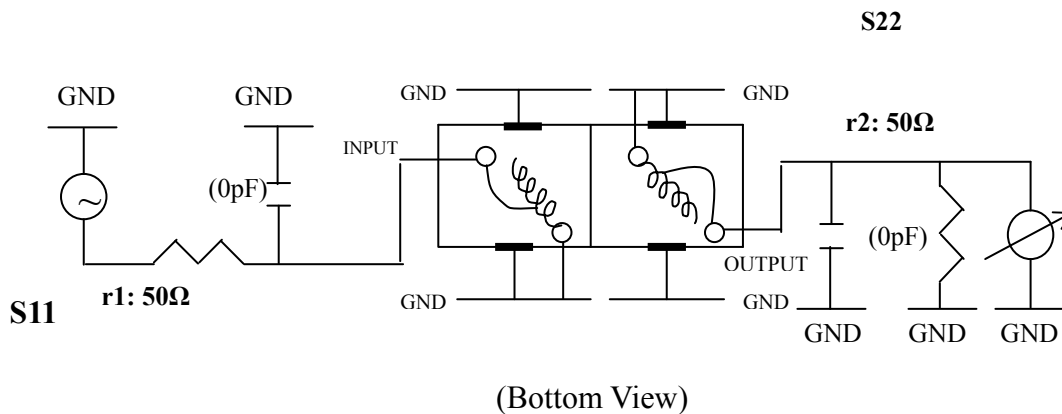
(5) Temperature Condition:

Operating Temperature 0°C ~ +60°C

Storage Temperature -20°C ~ +70°C

(6) Input Power > 1 Watt

(7) Measuring Circuit: ※Easy to match Impedance 50Ω/ by parallel with about (0) pF.



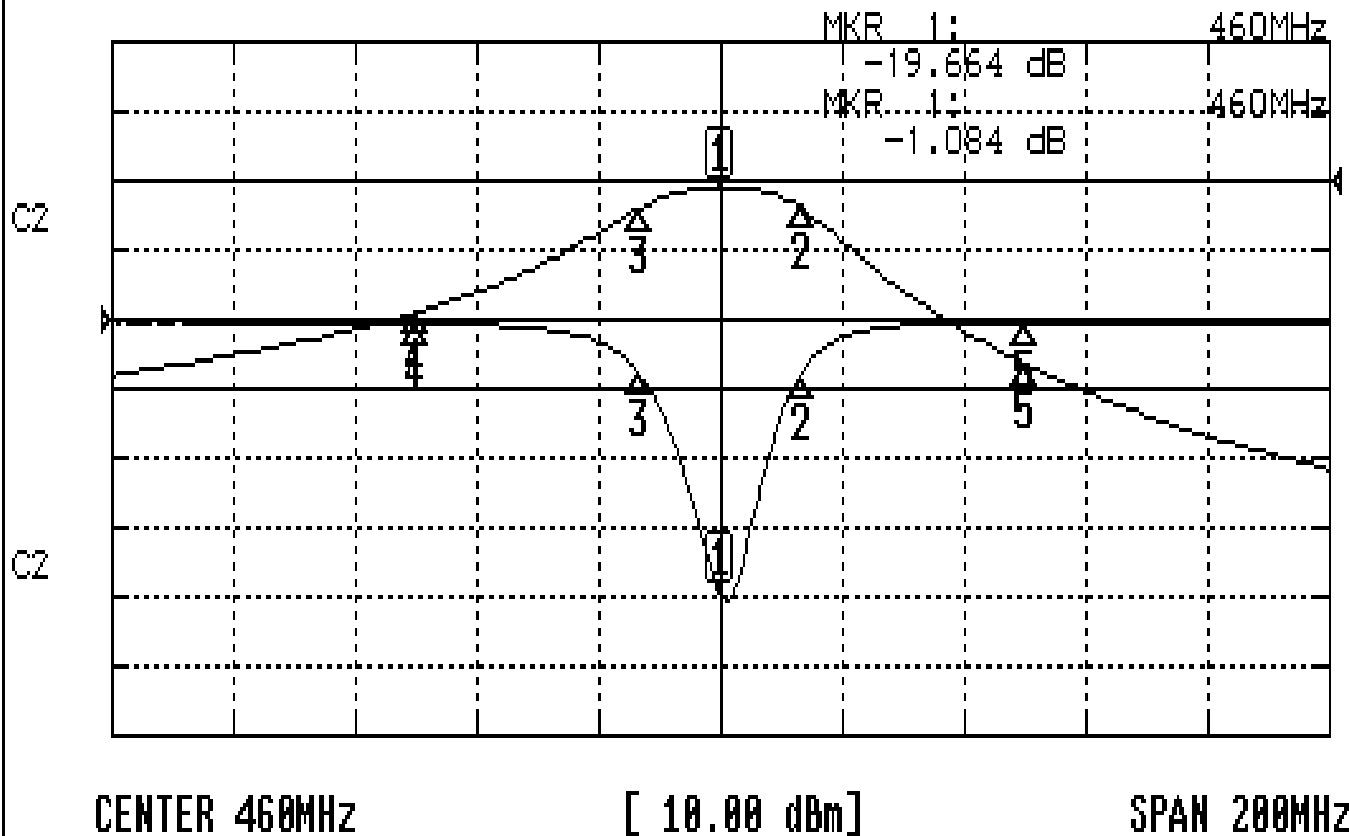
Approval	Supervisor	Designer	Aperture size
C.Y.Chang	C.S.Chang	W.W.Wang	7H2(4*6.5) 7H046LB4

TEMWELL CORPORATION

Performance-TD6747E-460M

2007067B

CH1 S11 LOG MAG REF 0.000 dB 5.000 dB/
CH2 S21 LOG MAG REF 0.000 dB 10.000 dB/



CH1 MARKER LIST

1:	460.000MHz	-19.664 dB
2:	473.333MHz	-3.964 dB
3:	446.500MHz	-3.729 dB
4:	410.000MHz	-0.263 dB
5:	510.000MHz	-0.189 dB

CH2 MARKER LIST

1:	460.000MHz	-1.086 dB
2:	473.333MHz	-3.964 dB
3:	446.500MHz	-4.084 dB
4:	410.000MHz	-19.005 dB
5:	510.000MHz	-26.431 dB