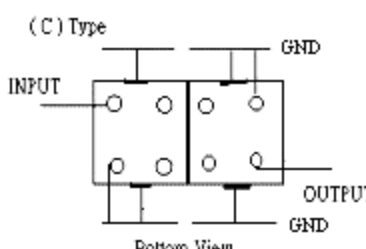
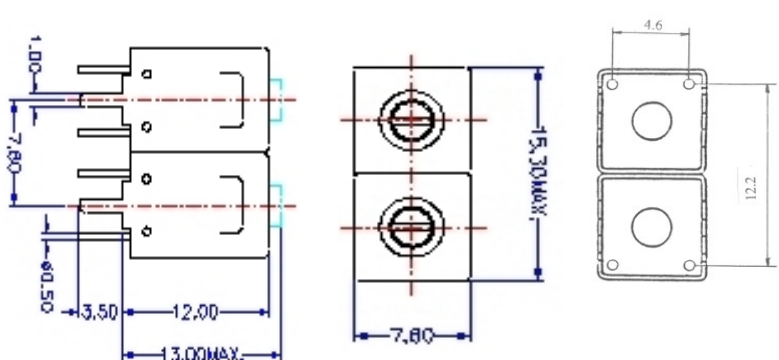


# VHF UHF Helical Filter Specification Sheet

Customer Name		Temwell's Part No.	TD6746C-460M
Approval No. /dated	20207093B	Acceptable Specify Fo. Range	456~515M
Work Instruction No.	20207093B	Date	2002/7/30

<p>(1) Pin Position</p>  <p style="text-align: center;">Bottom View</p>	<p>(2) Size Diagram</p> 
--	--

(3) Electric Character

Item	Specify	Performance	
Center Freq.(Fo) +/- 0.5 %	460 MHz	460 MHz	
Tunable Range:	460±5 MHz	460±5 MHz	
Insertion Loss	Typ. 3.5 dB	2.42 dB	
-3 dB Bandwidth	Typ. 10 MHz	16.4 MHz	
Sensitivity (Attenuation)	Fo - 50 MHz	Typ. 34 dBc	36 dBc
	Fo + 50 MHz	Typ. 25 dBc	26 dBc
	Fo - ( )MHz	Typ. dBc	dBc
	Fo +( )MHz	Typ. dBc	dBc
Return Loss	Min. 12 dB	15.1 dB	
Ripple	< 1 dB	dB	
Impedance	In / Out : 50 Ω	In / Out : 50 Ω	

(4) Torque for Tuning Screw > 100gf · cm

(5) Temperature Condition:

Operating Temperature	0°C ~ +60°C
Storage Temperature	-20°C ~ +70°C

(6) Input Power > 1Watt

Approval	Supervisor	Designer	Aperture size
C.Y.Chang	C.S.Chang	J.F.Lin	7H2S(4*5.5) 7H046RB4

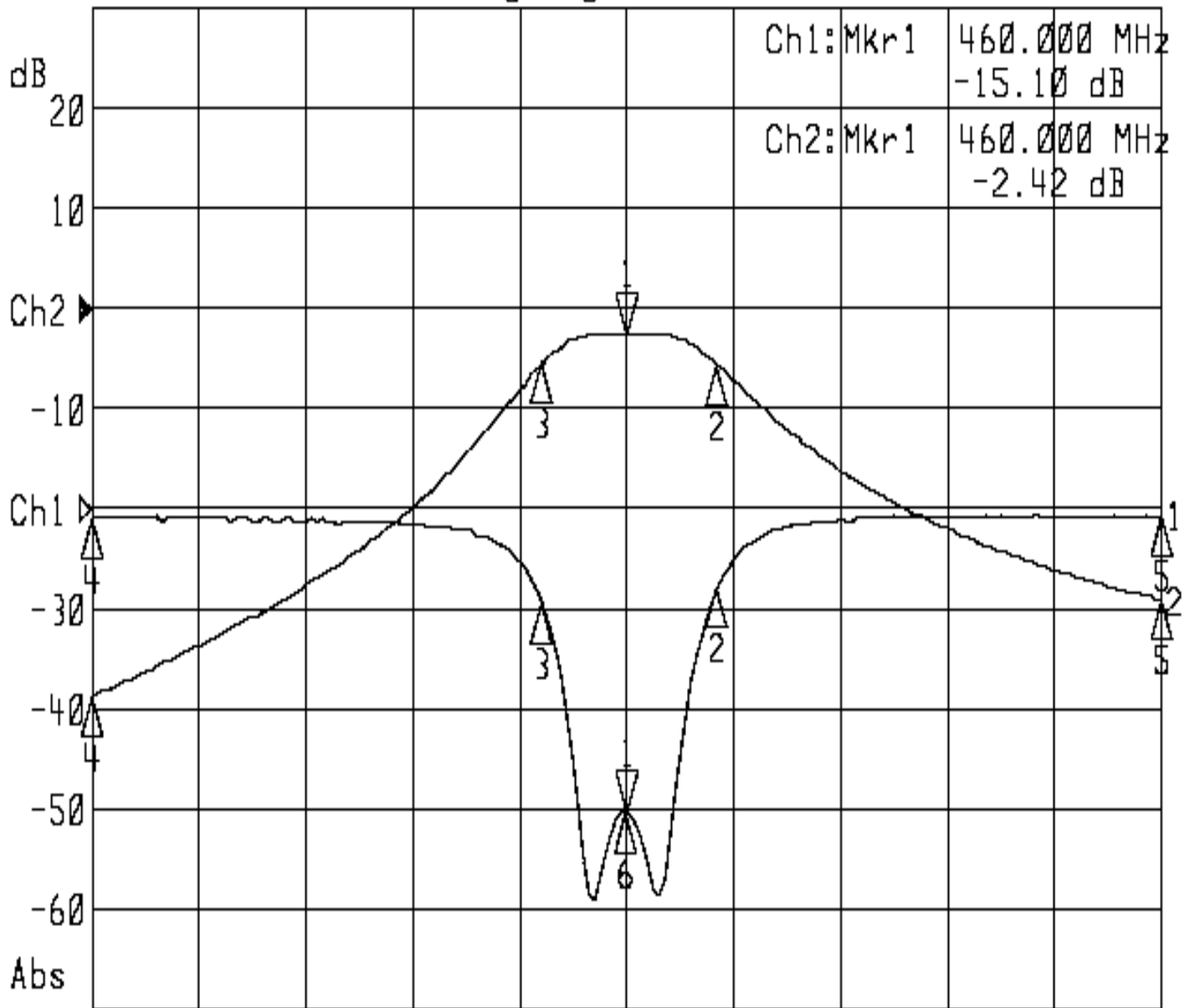
TEMWELL CORPORATION

# Performance-TD6746C-460M

## 20207093B

▶1: Reflection /M Log Mag 5.0 dB/ Ref 0.00 dB C

▶2: Transmission Log Mag 10.0 dB/ Ref 0.00 dB



1: Mkr (MHz)	dB	2: Mkr (MHz)	dB
1> 460.00	-15.10	1> 460.00	-2.42
2: 468.45	-3.94	2: 468.45	-5.47
3: 452.08	-4.65	3: 452.08	-5.39
4: 410.00	-0.45	4: 410.00	-38.71
5: 510.00	-0.35	5: 510.00	-29.10
6: 460.00	-15.10		