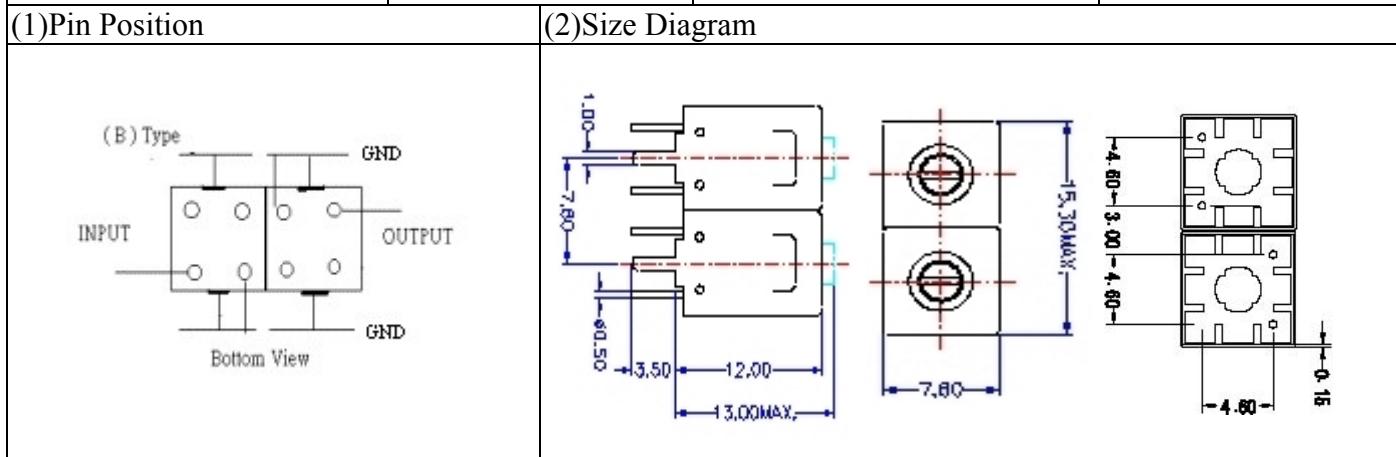


# VHF UHF Helical Filter Specification Sheet

Customer Name		Temwell's Part No.	TD6746B-460M
Approval No. /dated	0811041APR	Customer's Part No.	6746B 460M
Work Instruction No.	200811041CD	Date	Nov.07.2008



(3) Electric Characteristic

Item	Specify	Performance	
Center Freq.(Fo) +/- 0.5 %	460 MHz	460 MHz	
Tunable Range:	460±5 MHz	460±5 MHz	
Insertion Loss	Typ. 2.5 dB	1.74 dB	
-3 dB Bandwidth	Typ. 10 MHz	14.3 MHz	
Sensitivity (Attenuation)	Fo - 50 MHz	Typ. 42 dBc	45 dBc
	Fo + 50 MHz	Typ. 26 dBc	29 dBc
	Fo - ( )MHz	Typ. dBc	dBc
	Fo +( )MHz	Typ. dBc	dBc
Return Loss	Min. 12 dB	32.5 dB	
Ripple	< 1 dB	dB	
Impedance	In / Out : 50 Ω	In / Out : 50 Ω	

(4) Torque for Tuning Screw > 100gf · cm

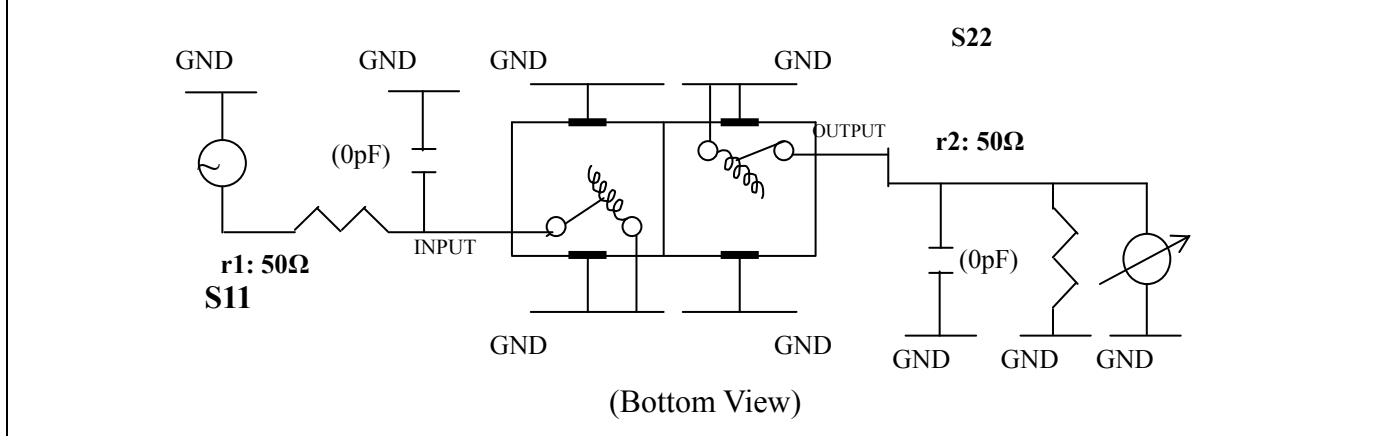
(5) Temperature Condition:

Operating Temperature	0°C ~ +60°C
-----------------------	-------------

Storage Temperature	-20°C ~ +70°C
---------------------	---------------

(6) Input Power > 1 Watt

(7) Measuring Circuit: ※Easy to match Impedance S11/S22 50Ω by parallel with about ( 0 ) pF.

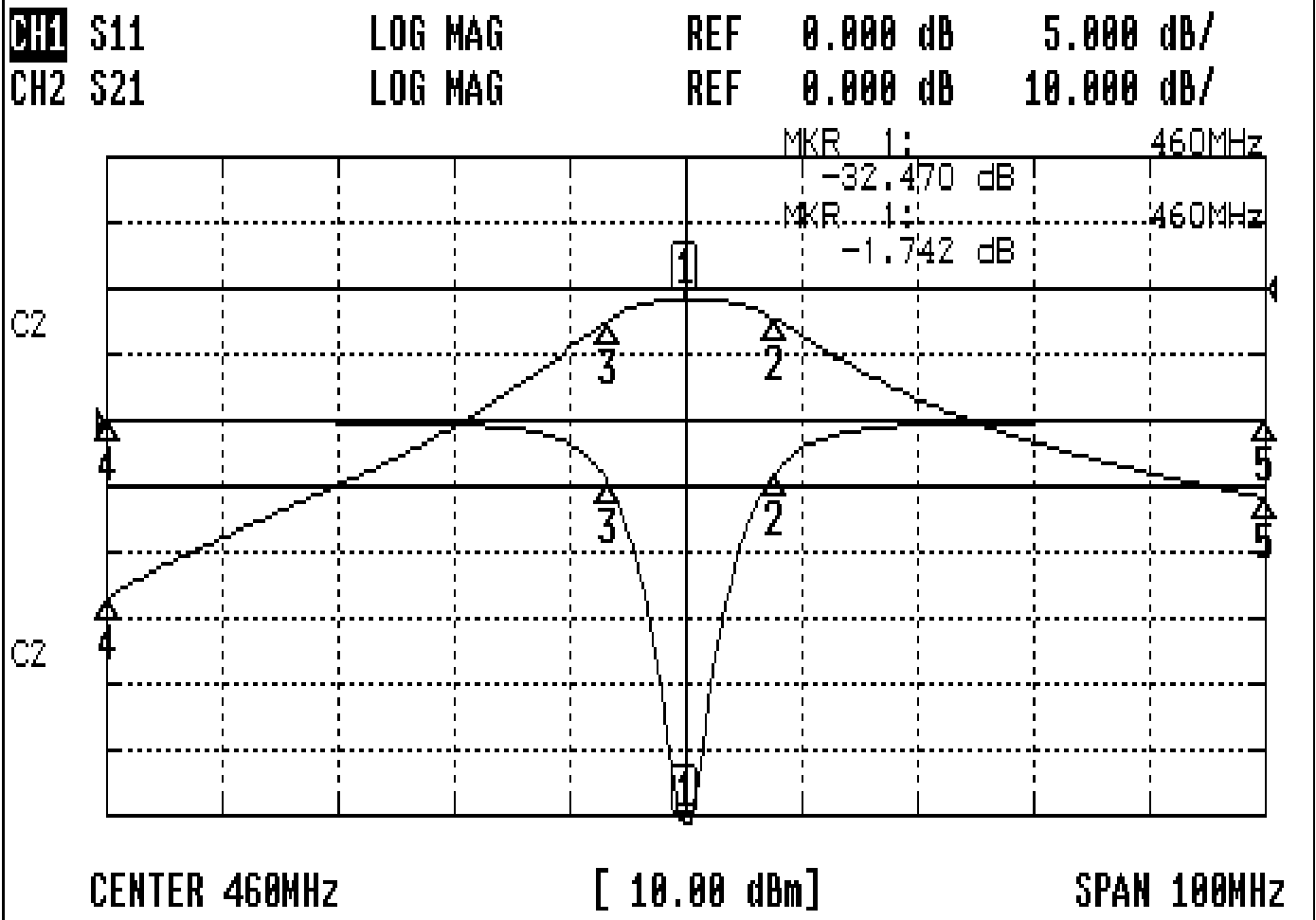


Approval	Supervisor	Designer	Aperture size
C.Y.Chang	C.S.Chang	P.H.Chiang	7H2(4*5.35F) (7H046RB4)

TEMWELL CORPORATION

# Performance-TD6746B-460M

## 200811041CD



### CH1 MARKER LIST

1:	460.000MHz	-32.505 dB
2:	467.750MHz	-3.981 dB
3:	453.416MHz	-4.862 dB
4:	410.000MHz	-0.081 dB
5:	510.000MHz	-0.069 dB

### CH2 MARKER LIST

1:	460.000MHz	-1.742 dB
2:	467.750MHz	-4.706 dB
3:	453.416MHz	-4.717 dB
4:	410.000MHz	-46.917 dB
5:	510.000MHz	-31.683 dB