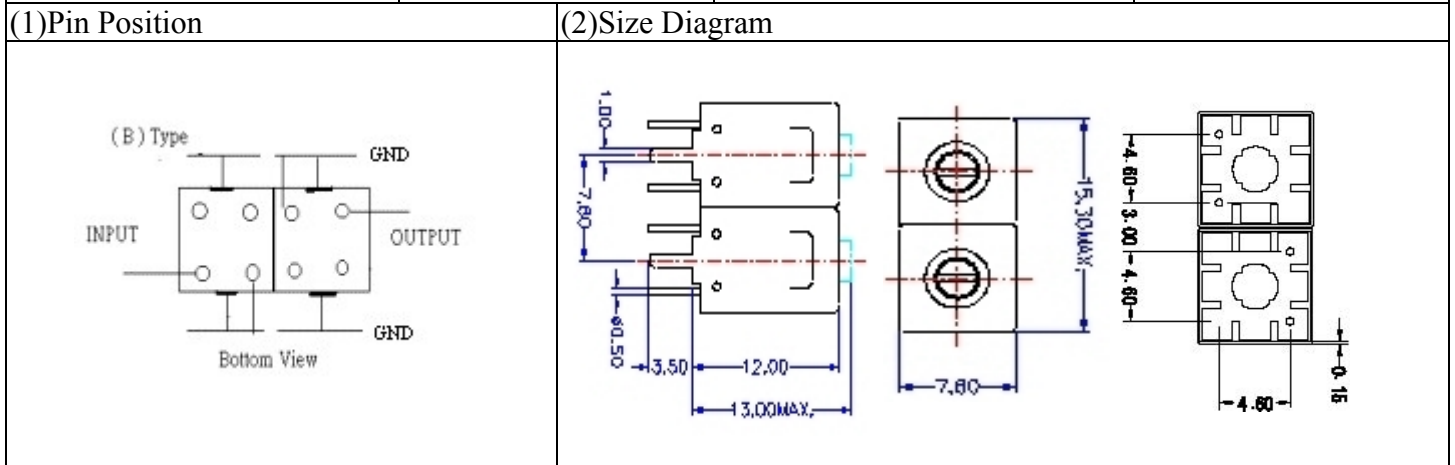


VHF UHF Helical Filter Specification Sheet

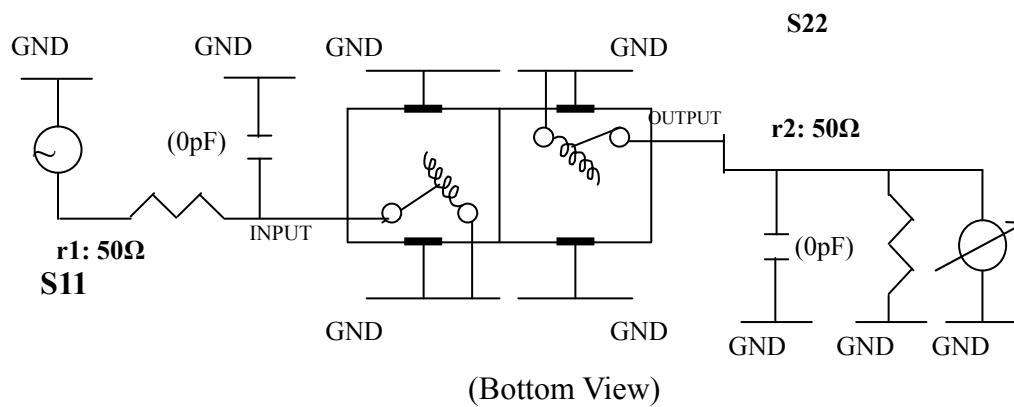
Customer Name		Temwell's Part No.	TD6746B-440M
Approval No. /dated	0811042APR	Customer's Part No.	6746B 440M
Work Instruction No.	200811042CD	Date	Nov.07.2008



(3) Electric Characteristic			
Item	Specify	Performance	
Center Freq.(Fo) +/- 0.5 %	440 MHz	440	MHz
Insertion Loss	Typ. 2.5 dB	1.82	dB
-3 dB Bandwidth	Typ. 10 MHz	14.0	MHz
Sensitivity (Attenuation)	Fo - 50 MHz	Typ. 45	dBc
	Fo + 50 MHz	Typ. 27	dBc
	Fo - ()MHz	Typ.	dBc
	Fo +()MHz	Typ.	dBc
Return Loss	Min. 12 dB	32.5	dB
Ripple	< 1 dB		dB
Impedance	In / Out : 50 Ω	In / Out : 50 Ω	
(4) Torque for Tuning Screw		> 100gf • cm	

(5) Temperature Condition:	
Operating Temperature	0°C ~ +60°C
Storage Temperature	-60°C ~ +70°C
(6) Input Power	> 1Watt

(7) Measuring Circuit: ※Easy to match Impedance S11/S22 50Ω by parallel with about (0) pF.



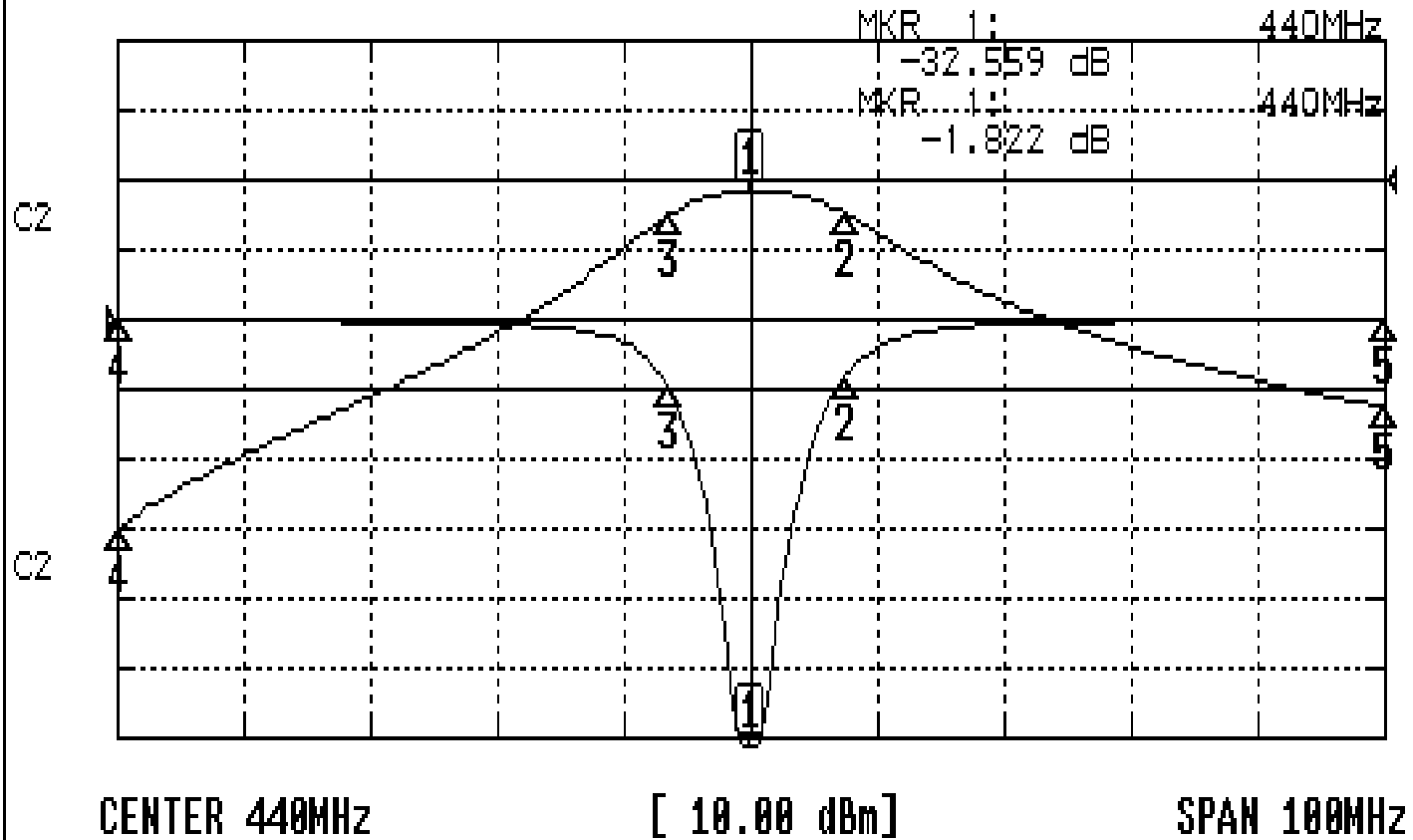
Approval	Supervisor	Designer	Aperture size
C.Y.Chang	C.S.Chang	P.H.Chiang	7H2(4*5.35F) (7H046RB4)

TEMWELL CORPORATION

Performance-TD6746B-440M

200811042CD

CH1 S11 LOG MAG REF 0.000 dB 5.000 dB/
CH2 S21 LOG MAG REF 0.000 dB 10.000 dB/



CH1 MARKER LIST

Marker	Frequency (MHz)	Magnitude (dB)
1	440.000	-32.559
2	447.500	-3.996
3	483.583	-4.922
4	390.000	-0.090
5	490.000	-0.071

CH2 MARKER LIST

Marker	Frequency (MHz)	Magnitude (dB)
1	440.000	-1.822
2	447.500	-4.004
3	483.583	-4.001
4	390.000	-49.001
5	490.000	-32.501