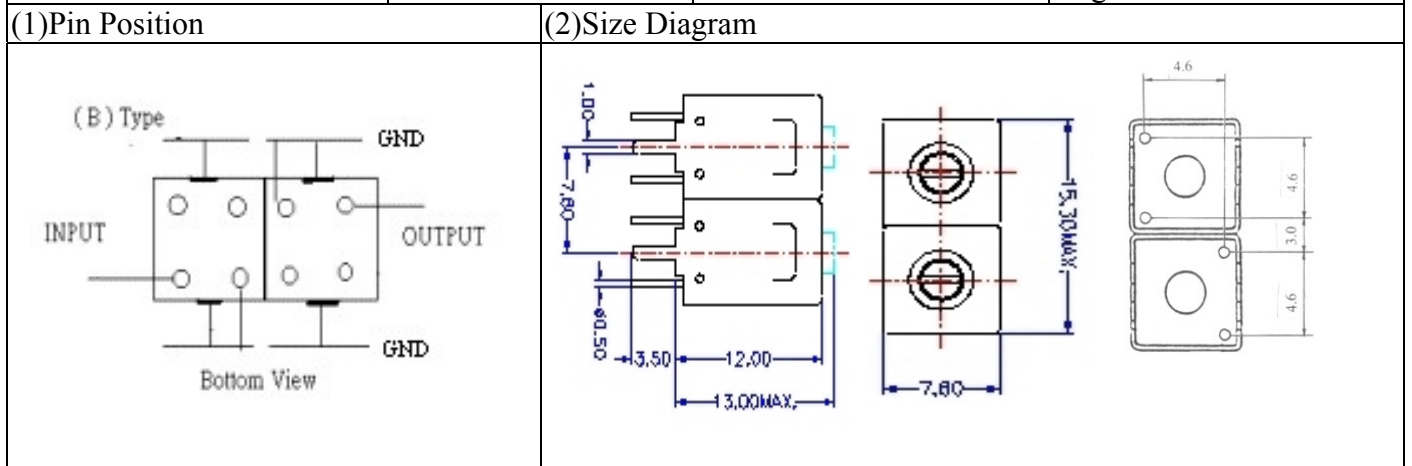


# VHF UHF Helical Filter Specification Sheet

Customer Name		Temwell's Part No.	TD6744B-415M
Approval No. /dated	20506030APR	Acceptable Specify Fo Range	401~455 MHZ
Work Instruction No.	20506030B	Date	Aug.08.2006



(3) Electric Character

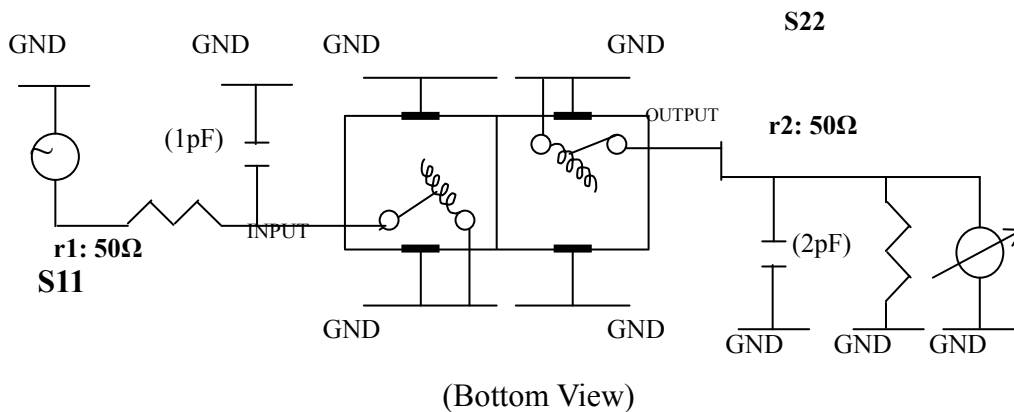
Item	Specify	Performance	
Center Freq.(Fo ) +/- 0.5 %	415 MHz	415 MHz	
Tunable Range	415±5 MHz	415±5 MHz	
Insertion Loss	Typ. 2.5 dB	1.78 dB	
-3 dB Bandwidth	Typ. 12 MHz	14.4 MHz	
Sensitivity (Attenuation)	Fo - 50 MHz	Typ. 50 dBc	56 dBc
	Fo + 50 MHz	Typ. 27 dBc	30 dBc
	Fo - ( )MHz	Typ. dBc	dBc
	Fo +( )MHz	Typ. dBc	dBc
Return Loss	Min. 12 dB	18.5 dB	
Ripple	< 1 dB	dB	
Impedance	In / Out : 50 Ω	In / Out : 50 Ω	
(4) Torque for Tuning Screw	> 100gf · cm		

(5) Temperature Condition:

Operating Temperature	0°C ~ +60°C
Storage Temperature	-20°C ~ +70°C

(6) Input Power > 1Watt

(7) Measuring Circuit: ※Easy to match Impedance 50Ω by parallel with about ( 1 ) pF.( 2 ) pF

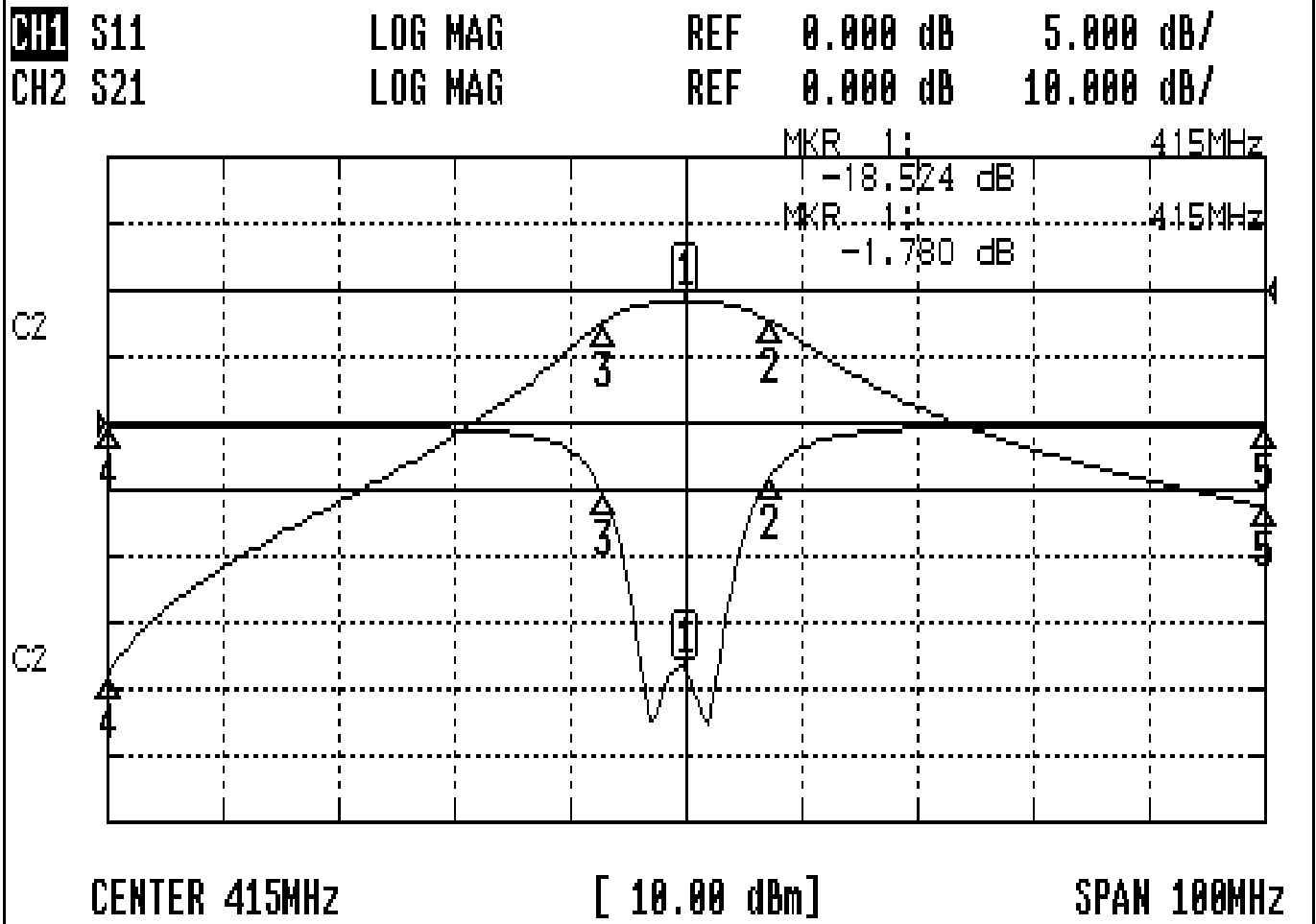


Approval	Supervisor	Designer	Aperture size
C.Y.Chang	C.S.Chang	W.W.Wang	7H2( 4*4.5)F 7H046LB4 聚 3

TEMWELL CORPORATION

# Performance-TD6744B-415M

## 20506030B



### CH1 MARKER LIST

1:	415.000MHz	-18.525 dB
2:	422.250MHz	-4.121 dB
3:	407.833MHz	-5.175 dB
4:	365.000MHz	-0.194 dB
5:	465.000MHz	-0.172 dB

### CH2 MARKER LIST

1:	415.000MHz	-1.780 dB
2:	422.250MHz	-4.698 dB
3:	407.833MHz	-4.771 dB
4:	365.000MHz	-7.778 dB
5:	465.000MHz	-32.474 dB