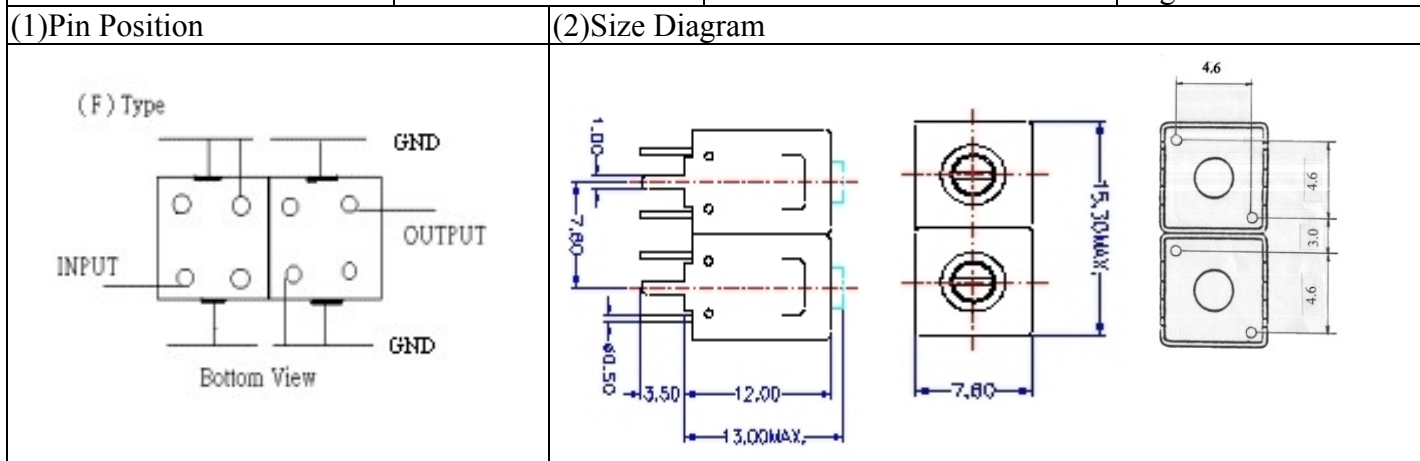


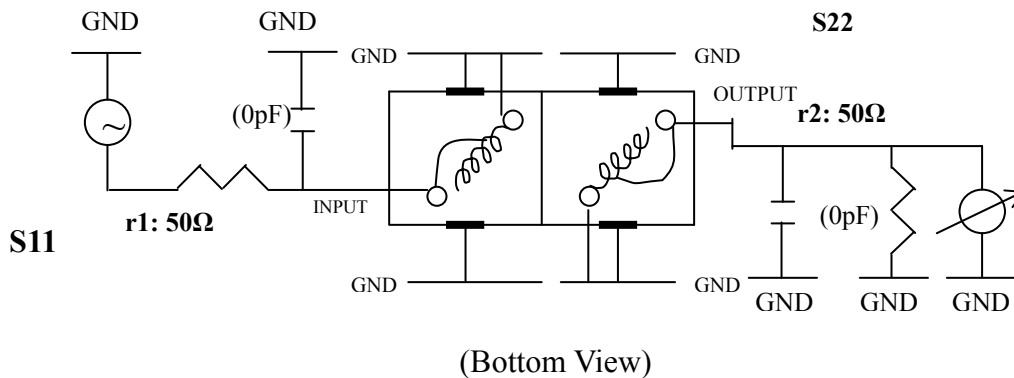
VHF UHF Helical Filter Specification Sheet

Customer Name		Temwell's Part No.	TD6743F-380M
Approval No. /dated	2007066APR	Acceptable Specify Fo Range	356~400 MHz
Work Instruction No.	2007066B	Date	Aug.08.2006



(3) Electric Characteristic			
Item		Specify	Performance
Center Freq.(Fo) +/- 0.5 %		380 MHz	380 MHz
Tunable Range		380±4 MHz	380±4 MHz
Insertion Loss		Typ. 2.0 dB	0.96 dB
-3 dB Bandwidth		Typ. 20 MHz	25 MHz
Sensitivity (Attenuation)	Fo - 50 MHz	Typ. 27 dBc	31 dBc
	Fo + 50 MHz	Typ. 18 dBc	19 dBc
	Fo - ()MHz	Typ. dBc	dBc
	Fo + ()MHz	Typ. dBc	dBc
Return Loss		Min. 12 dB	26.3 dB
Ripple		< 1 dB	dB
Impedance		In / Out : 50 Ω	In / Out : 50 Ω
(4) Torque for Tuning Screw		> 100gf · cm	
(5) Temperature Condition:			
Operating Temperature		0°C ~ +60°C	
Storage Temperature		-20°C ~ +70°C	
(6) Input Power		> 1Watt	

(7) Measuring Circuit: ※Easy to match Impedance 50Ω by parallel with about (0) pF.

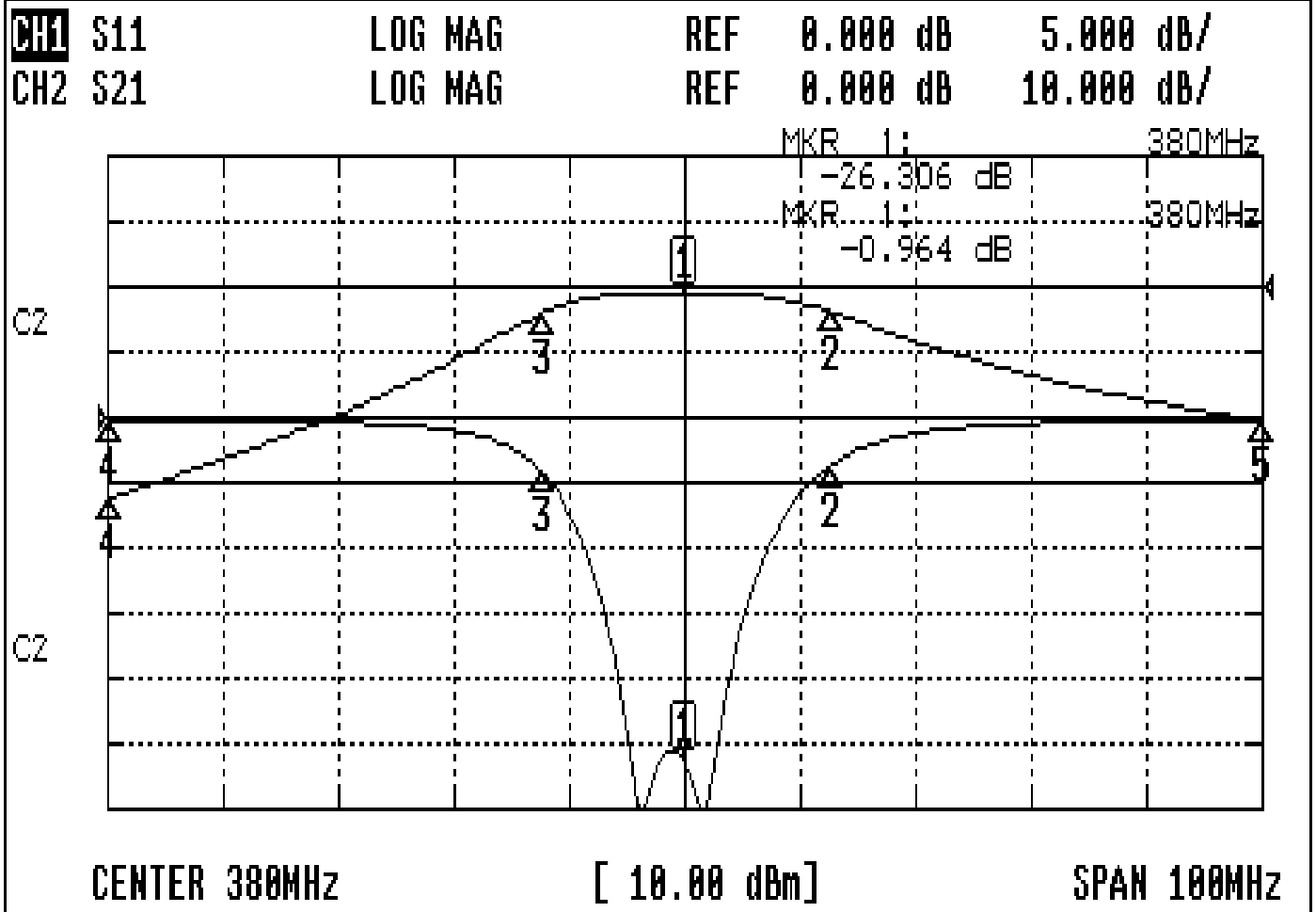


Approval	Supervisor	Designer	Aperture size
C.Y.Chang	C.S.Chang	W.W.Wang	7H2(4*7.5) 7H046LB4

TEMWELL CORPORATION

Performance-TD6743F-380M

2007066B



CH1 MARKER LIST

Marker	Frequency (MHz)	Magnitude (dB)	Phase (deg)
1	380.000	-26.306	0.000
2	392.666	-13.615	0.000
3	367.666	-14.219	0.000
4	330.000	-0.217	0.000
5	430.000	-0.233	0.000

CH2 MARKER LIST

Marker	Frequency (MHz)	Magnitude (dB)	Phase (deg)
1	380.000	-0.964	0.000
2	392.666	-3.861	0.000
3	367.666	-4.052	0.000
4	330.000	-2.418	0.000
5	430.000	-20.448	0.000