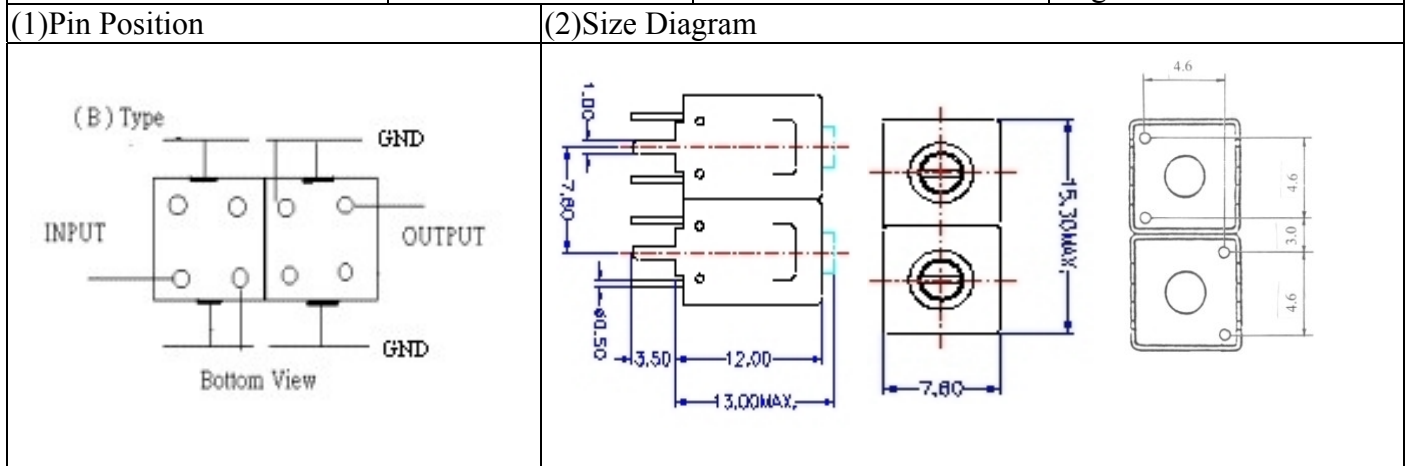


VHF UHF Helical Filter Specification Sheet

Customer Name		Temwell's Part No.	TD67423B-481M
Approval No. /dated	2009080APR	Acceptable Specify Fo Range	456~515 MHZ
Work Instruction No.	2009080DC	Date	Aug.22.2006



(3)Electric Character

Item	Specify	Performance	
Center Freq.(Fo) +/- 0.5 %	481 MHz	481 MHz	
Tunable Range	481±3 MHz	481±3 MHz	
Insertion Loss	Typ. 2.0 dB	0.55 dB	
-3 dB Bandwidth	Typ. 65 MHz	70.0 MHz	
Sensitivity (Attenuation)	Fo - 100 MHz	Typ. 13 dBc	16 dBc
	Fo + 100 MHz	Typ. 16 dBc	19 dBc
	Fo - ()MHz	Typ. dBc	dBc
	Fo +()MHz	Typ. dBc	dBc
Return Loss	Min. 12 dB	26.6 dB	
Ripple	< 1 dB	dB	
Impedance	In / Out : 50 Ω	In / Out : 50 Ω	

(4)Torque for Tuning Screw

> 100gf · cm

(5)Temperature Condition:

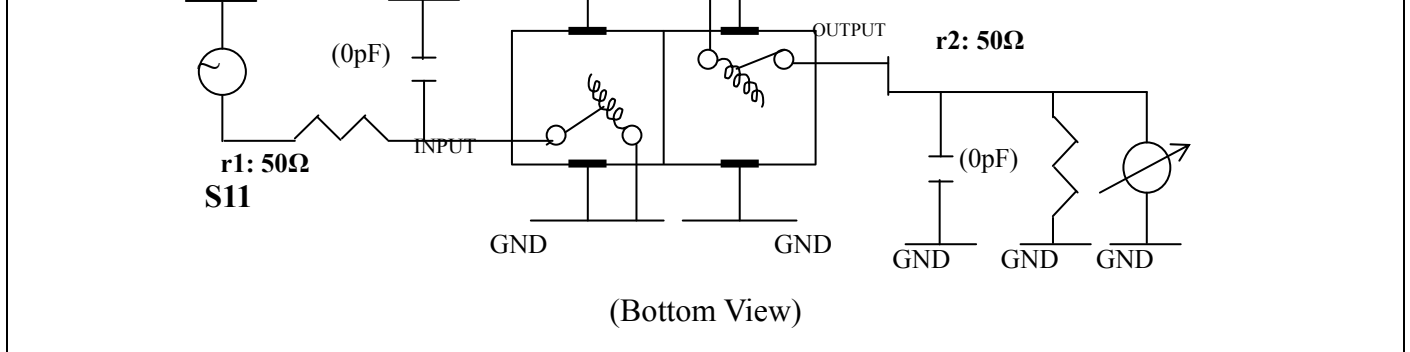
Operating Temperature	0°C ~ +60°C
-----------------------	-------------

Storage Temperature	-20°C ~ +70°C
---------------------	---------------

(6)Input Power

> 1Watt

(7)Measuring Circuit: ※Easy to match Impedance 50Ωby parallel with about (0) pF.



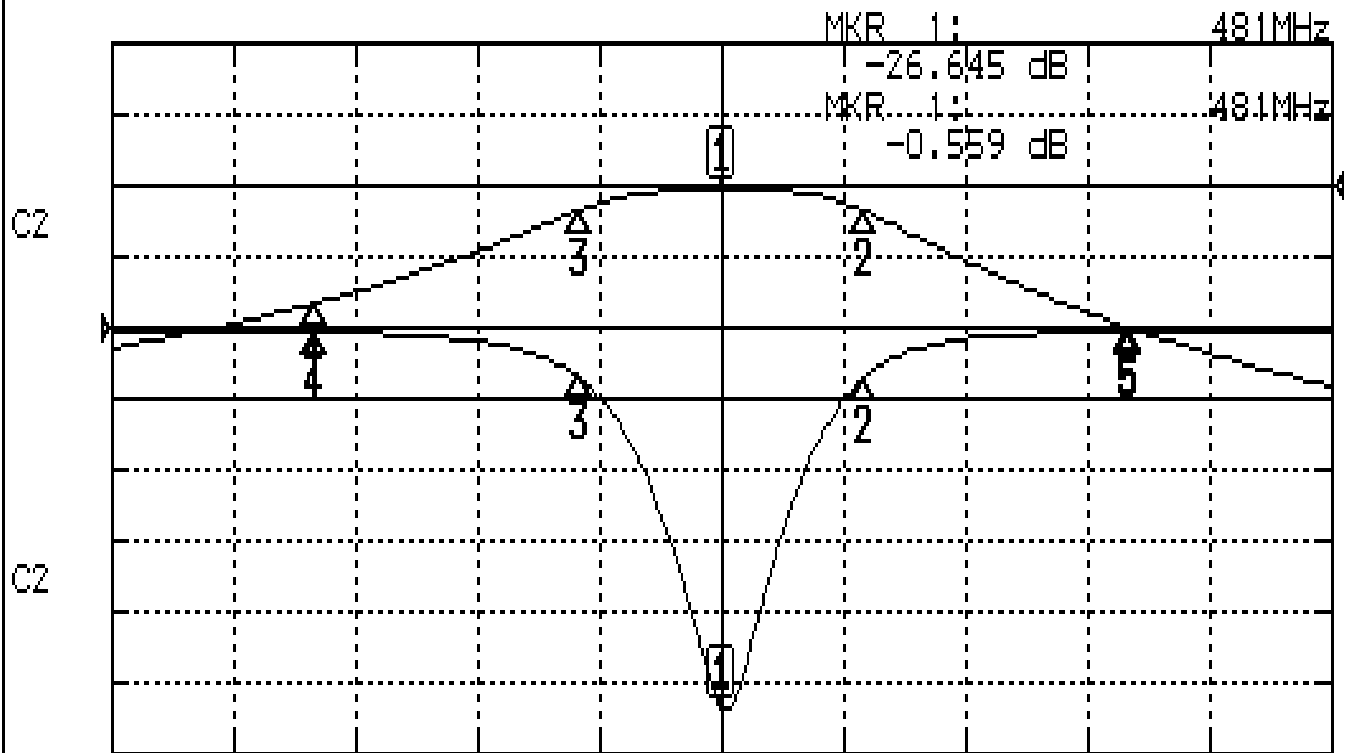
Approval	Supervisor	Designer	Aperture size
C.Y.Chang	C.S.Chang	W.W.Wang	7H2(4*6.5)F 7H046LB6

TEMWELL CORPORATION

Performance-TD67423B-481M

2009080DC

CH1 S11 LOG MAG REF 0.000 dB 5.000 dB/
CH2 S21 LOG MAG REF 0.000 dB 10.000 dB/



CENTER 481MHz

[10.00 dBm]

SPAN 300MHz

CH1 MARKER LIST

1	481.000MHz	-26.645 dB
2	516.000MHz	-13.046 dB
3	446.000MHz	-13.041 dB
4	381.000MHz	-10.336 dB
5	581.000MHz	-0.318 dB

CH2 MARKER LIST

1	481.000MHz	-0.559 dB
2	516.000MHz	-13.062 dB
3	446.000MHz	-13.024 dB
4	381.000MHz	-16.542 dB
5	581.000MHz	-19.930 dB