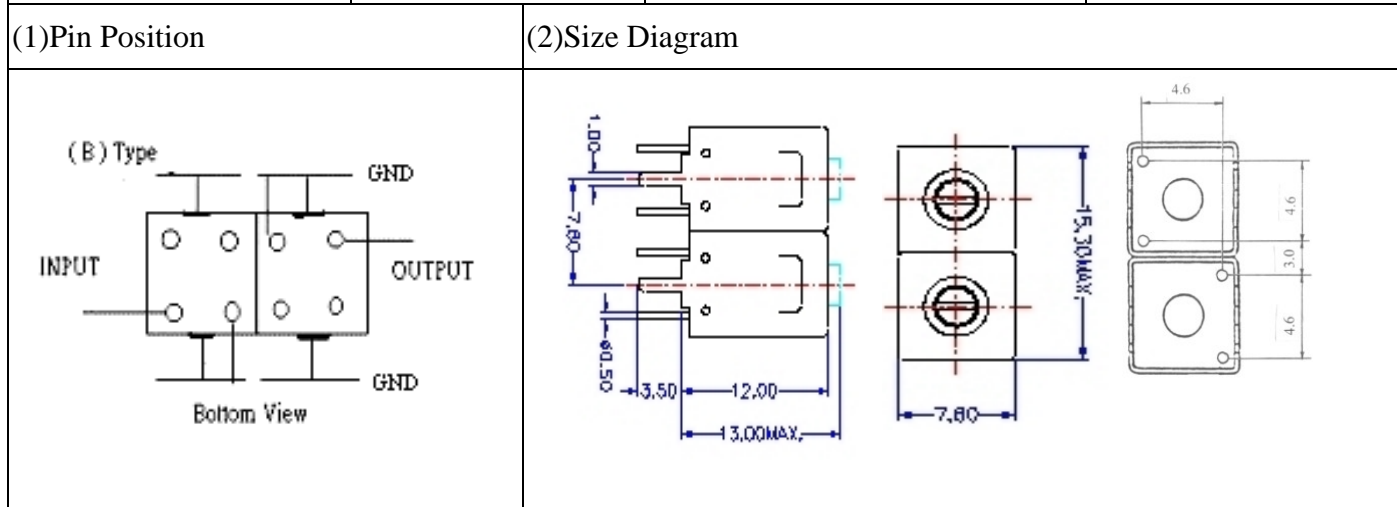


VHF UHF Helical Filter Specification Sheet

Customer Name		Temwell's Part No.	TD67417B-472M
Approval No. /dated	2009039DC	Acceptable Specify Fo. Range	456~515MHz
Work Instruction No.	2009039DC	Date	



(3) Electric Character

Item	Specify	Performance
Center Freq.(Fo) +/- 0.5 %	472 MHz	472 MHz
Tunable Range	472±5 MHz	472±5 MHz
Insertion Loss	Typ. 2.0 dB	0.62 dB
-3 dB Bandwidth	Typ. 45 MHz	47.8 MHz
Sensitivity (Attenuation)	Fo -100 MHz	Typ. 20 dBc
	Fo +100 MHz	Typ. 23 dBc
	Fo - ()MHz	Typ. dBc
	Fo +()MHz	Typ. dBc
Return Loss	Min. 12 dB	24.0 dB
Ripple	< 1 dB	1 dB
Impedance	In / Out : 50 Ω	In / Out : 50 Ω
(4) Torque for Tuning Screw	> 100gf • cm	

(5) Temperature Condition:

Operating Temperature	0°C ~ +60°C
Storage Temperature	-20°C ~ +70°C
(6) Input Power	> 1Watt

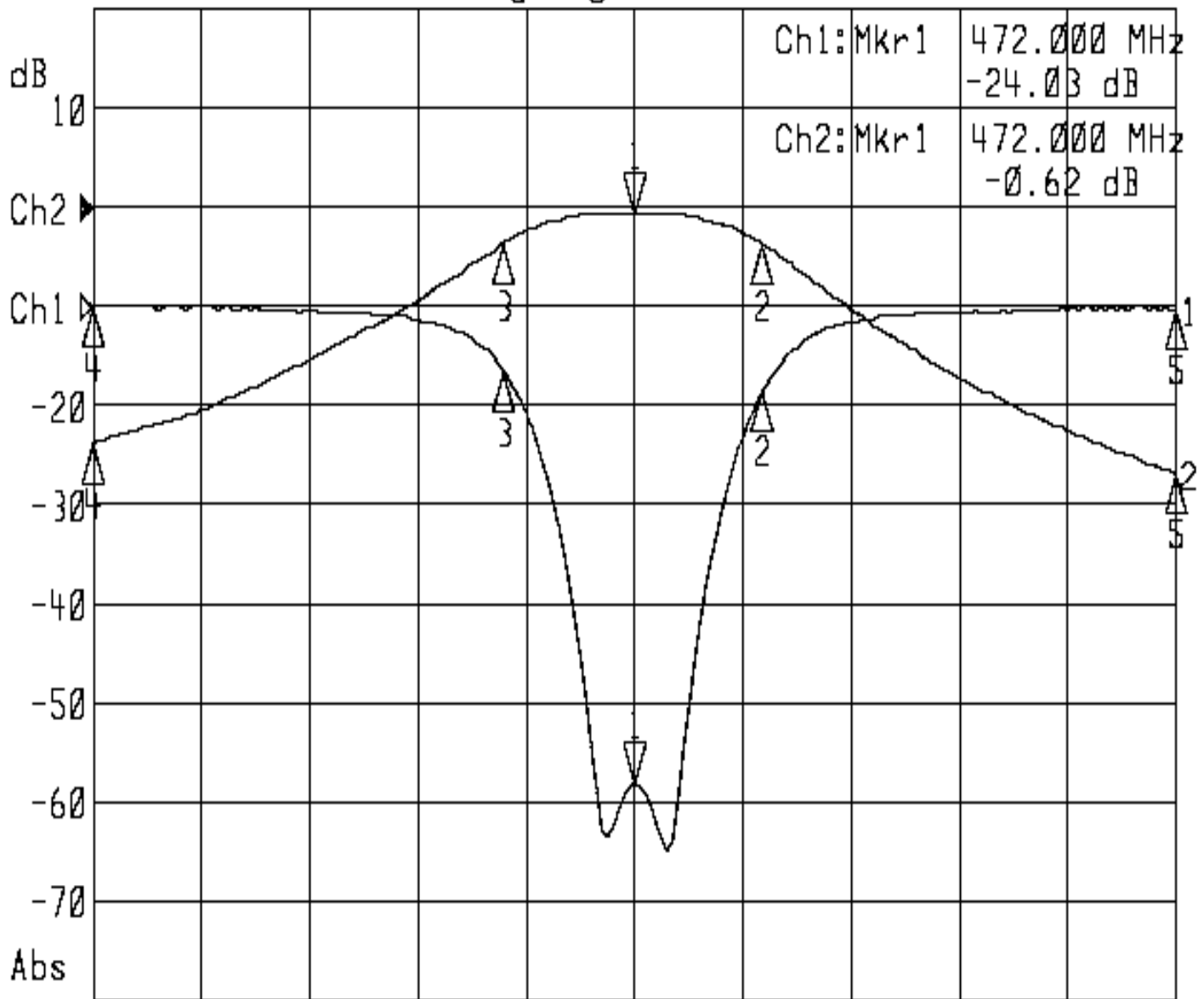
Approval	Supervisor	Designer	Aperture size
C.Y.Chang	C.S.Chang	C.S.Chang	7H2S(4*7.5)F 7H046LB5

TEMWELL CORPORATION

Performance-TD67417B-472M

2009039DC

▶1: Reflection Log Mag 5.0 dB/ Ref 0.00 dB C
▶2: Transmission Log Mag 10.0 dB/ Ref 0.00 dB C



Center 472.000 MHz

Span 200.000 MHz

1: Mkr (MHz)	dB	2: Mkr (MHz)	dB
1> 472.00	-24.03	1> 472.00	-0.62
2: 495.68	-4.22	2: 495.68	-3.65
3: 447.84	-3.20	3: 447.84	-3.62
4: 372.00	-0.05	4: 372.00	-23.65
5: 572.00	-0.14	5: 572.00	-26.76