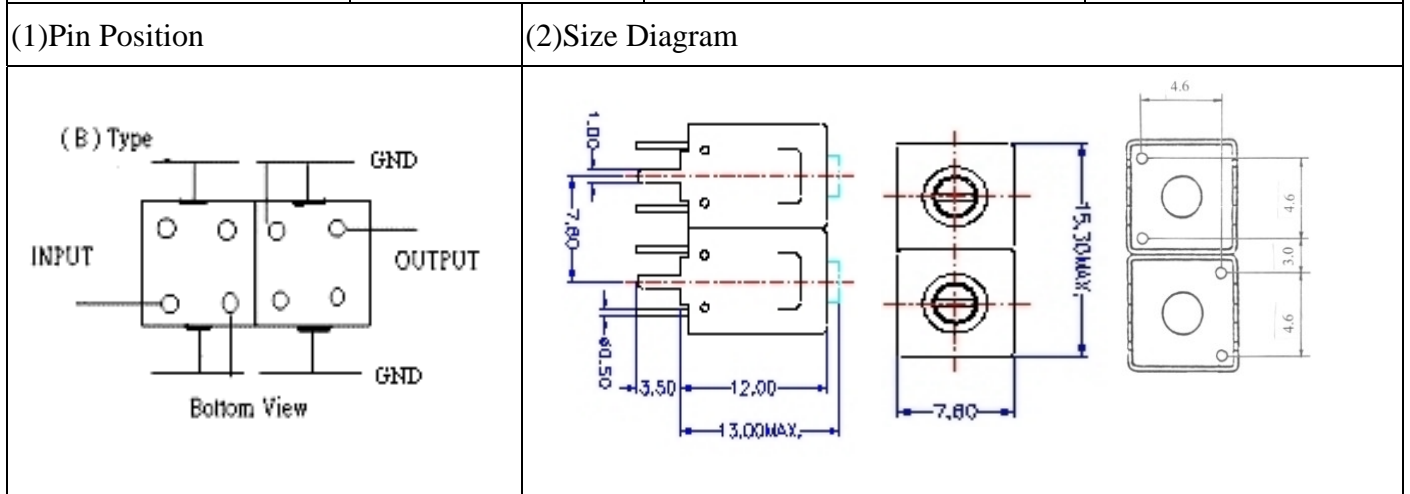


# VHF UHF Helical Filter Specification Sheet

Customer Name		Temwell's Part No.	TD67410B-445M
Approval No. /dated	2008173DC	Acceptable Specify Fo. Range	401~455MHz
Work Instruction No.	2008173DC	Date	Sep.04.2000



(3)Electric Character

Item	Specify	Performance	
Center Freq.(Fo ) +/- 0.5 %	445 MHz	445 MHz	
Tunable Range	445±3 MHz	445±3 MHz	
Insertion Loss	Typ. 1.5 dB	0.59 dB	
-3 dB Bandwidth	Typ. 31 MHz	35.8 MHz	
Sensitivity (Attenuation)	Fo - 100 MHz	Typ. 22 dBc	25 dBc
	Fo + 100 MHz	Typ. 29 dBc	32 dBc
	Fo - ( )MHz	Typ. dBc	dBc
	Fo +( )MHz	Typ. dBc	dBc
Return Loss	Min. 12 dB	23.1 dB	
Ripple	< 1 dB	1 dB	
Impedance	In / Out : 50 Ω	In / Out : 50 Ω	

(4)Torque for Tuning Screw > 100gf • cm

(5)Temperature Condition:

Operating Temperature	0°C ~ +60°C
Storage Temperature	-20°C ~ +70°C

(6)Input Power > 1Watt

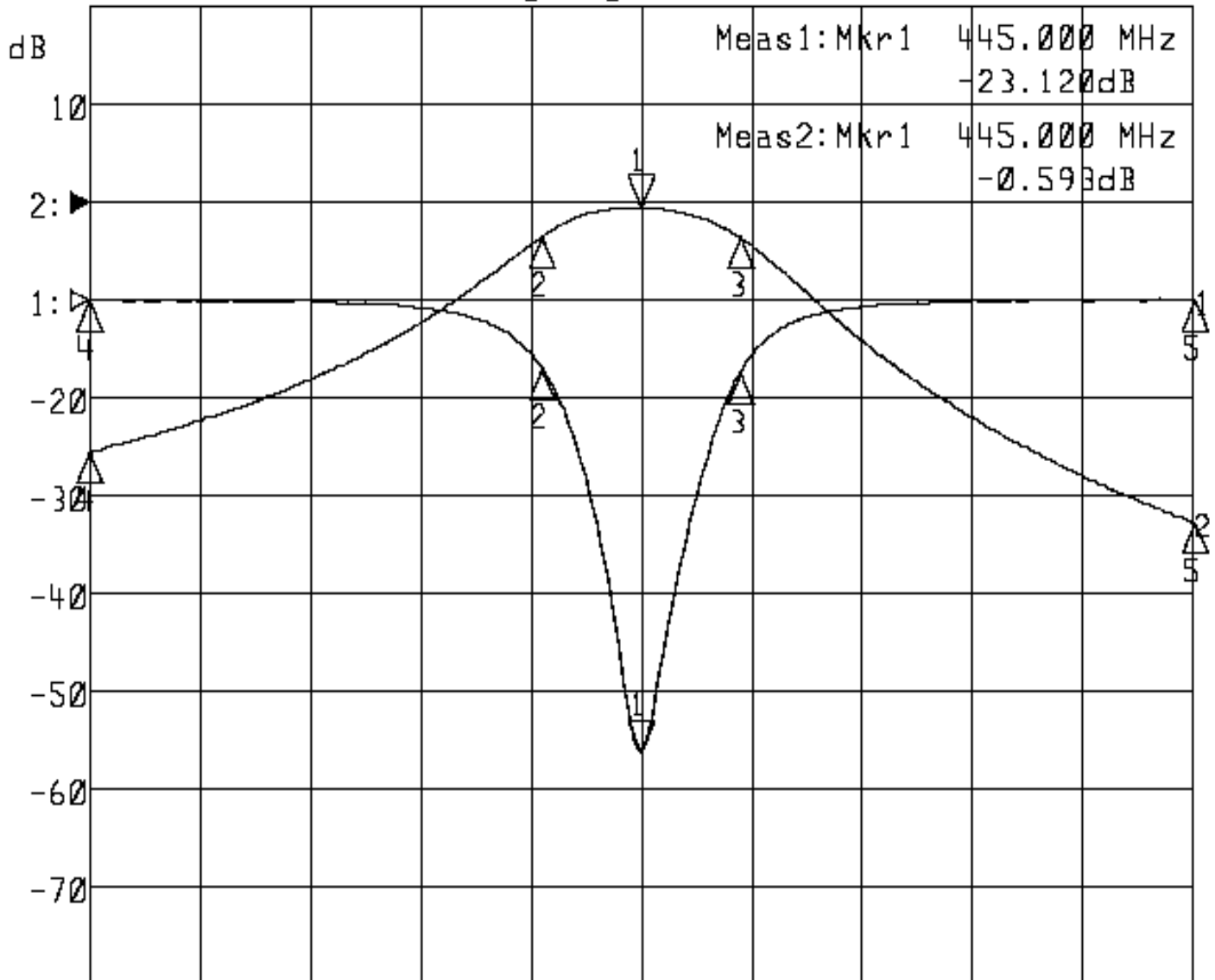
Approval	Supervisor	Designer	Aperture size
C.Y.Chang	C.S.Chang	C.S.Chang	7H2S(4*6.5) 7H046LB5

TEMWELL CORPORATION

# Performance-TD67410B-445M

## 2008173DC

▷1:S11 Refl Port1 Log Mag 5.0 dB/ Ref 0.00 dB C  
▶2:S21 Fwd Trans Log Mag 10.0 dB/ Ref 0.00 dB C



Center 445.000 MHz

Span 200.000 MHz

1: Mkr (MHz)	dB	2: Mkr (MHz)	dB
1> 445.0000	-23.120	1> 445.0000	-0.593
2: 427.0667	-3.486	2: 427.0667	-3.499
3: 462.8000	-3.763	3: 462.8000	-3.536
4: 345.0000	-0.048	4: 345.0000	-25.593
5: 545.0000	-0.053	5: 545.0000	-32.760