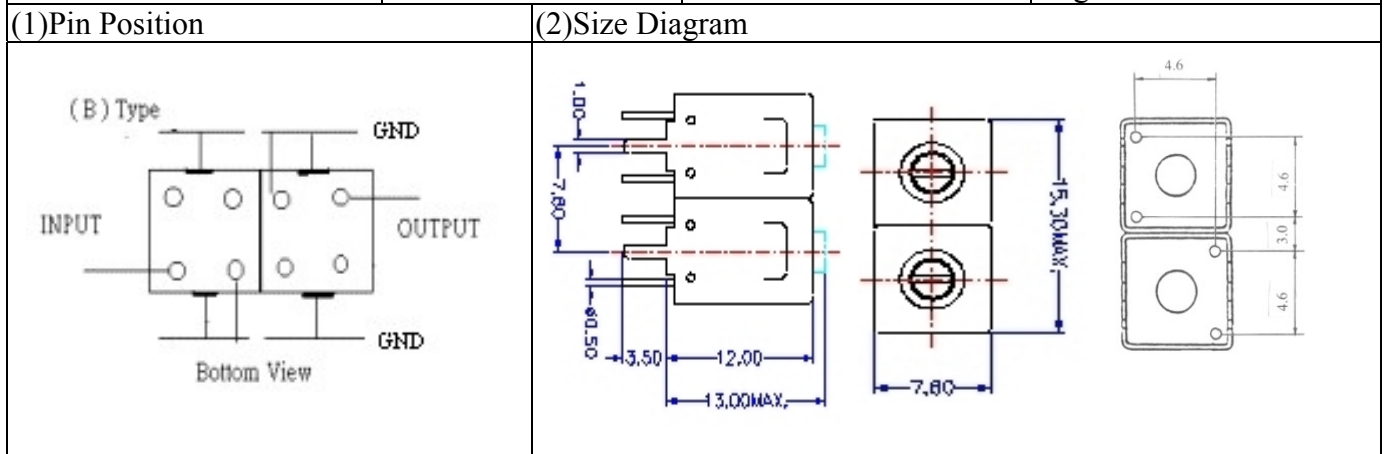


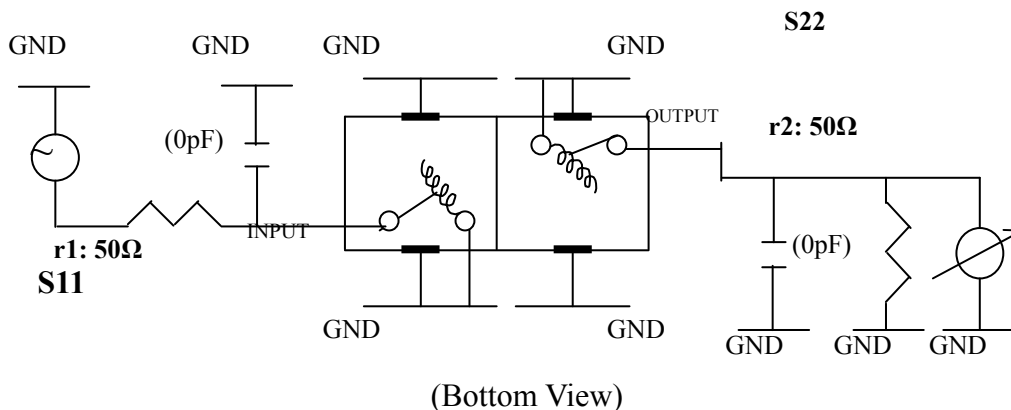
VHF UHF Helical Filter Specification Sheet

| | | | |
|----------------------|-------------|-----------------------------|----------------|
| Customer Name | | Temwell's Part No. | TD67407B1-430M |
| Approval No. /dated | 20501036APR | Acceptable Specify Fo Range | 401~455 MHz |
| Work Instruction No. | 20501036DC | Date | Aug.08.2006 |



| (3) Electric Character | | | |
|------------------------------|-------------|-----------------|-----------------|
| Item | | Specify | Performance |
| Center Freq.(Fo) +/- 0.5 % | | 430 MHz | 430 MHz |
| Tunable Range | | 430±5 MHz | 430±5 MHz |
| Insertion Loss | | Typ. 2.0 dB | 0.91 dB |
| -1 dB Bandwidth | | Typ. 18 MHz | 22 MHz |
| -3 dB Bandwidth | | Typ. 25 MHz | 27 MHz |
| Sensitivity (Attenuation) | Fo - 50 MHz | Typ. 14 dBc | 17 dBc |
| | Fo + 50 MHz | Typ. 18 dBc | 20 dBc |
| | Fo - ()MHz | Typ. dBc | dBc |
| | Fo + ()MHz | Typ. dBc | dBc |
| Return Loss | | Min. 12 dB | 26.6 dB |
| Ripple | | < 1 dB | dB |
| Impedance | | In / Out : 50 Ω | In / Out : 50 Ω |
| (4) Torque for Tuning Screw | | > 100gf · cm | |
| (5) Temperature Condition: | | | |
| Operating Temperature | | 0°C ~ +60°C | |
| Storage Temperature | | -20°C ~ +70°C | |
| (6) Input Power | | > 1 Watt | |

(7) Measuring Circuit: ※ Easy to match Impedance 50Ω by parallel with about (0) pF.

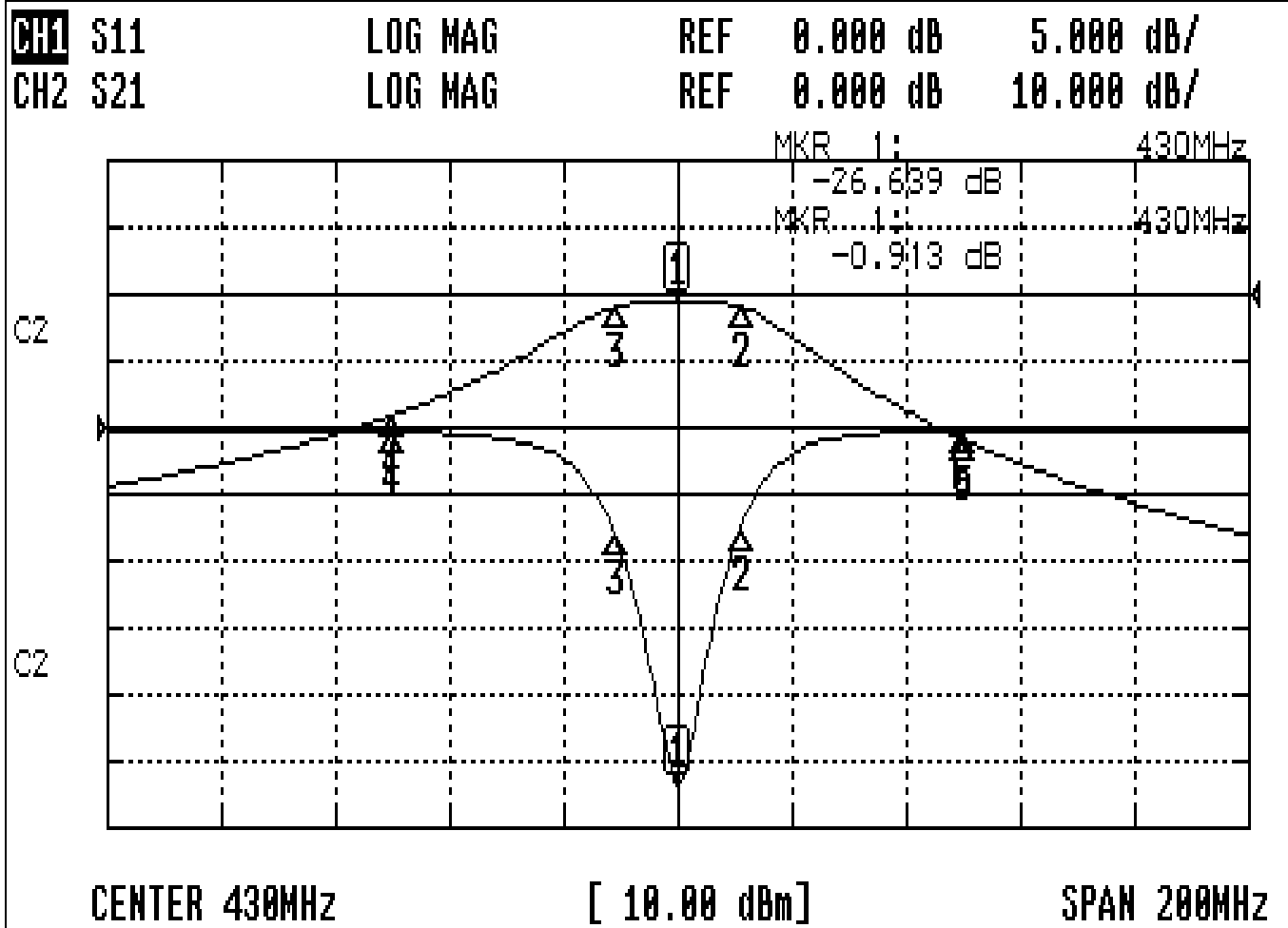


| | | | |
|-----------|------------|----------|------------------------------|
| Approval | Supervisor | Designer | Aperture size |
| C.Y.Chang | C.S.Chang | W.W.Wang | 7H2(4*7.5)F 7H046LB4 聚 3 |

TEMWELL CORPORATION

Performance-TD67407B1-430M

20105036DC



CH1 MARKER LIST

| | | |
|-----|------------|------------|
| 1: | 430.000MHz | -26.639 dB |
| 2: | 441.000MHz | -7.625 dB |
| 3: | 419.000MHz | -7.924 dB |
| 4: | 380.000MHz | -0.342 dB |
| 5: | 480.000MHz | -0.252 dB |
| 6: | | |
| 7: | | |
| 8: | | |
| 9: | | |
| 10: | | |

CH2 MARKER LIST

| | | |
|-----|------------|------------|
| 1: | 430.000MHz | -0.913 dB |
| 2: | 441.000MHz | -1.942 dB |
| 3: | 419.000MHz | -1.929 dB |
| 4: | 380.000MHz | -18.173 dB |
| 5: | 480.000MHz | -21.759 dB |
| 6: | | |
| 7: | | |
| 8: | | |
| 9: | | |
| 10: | | |