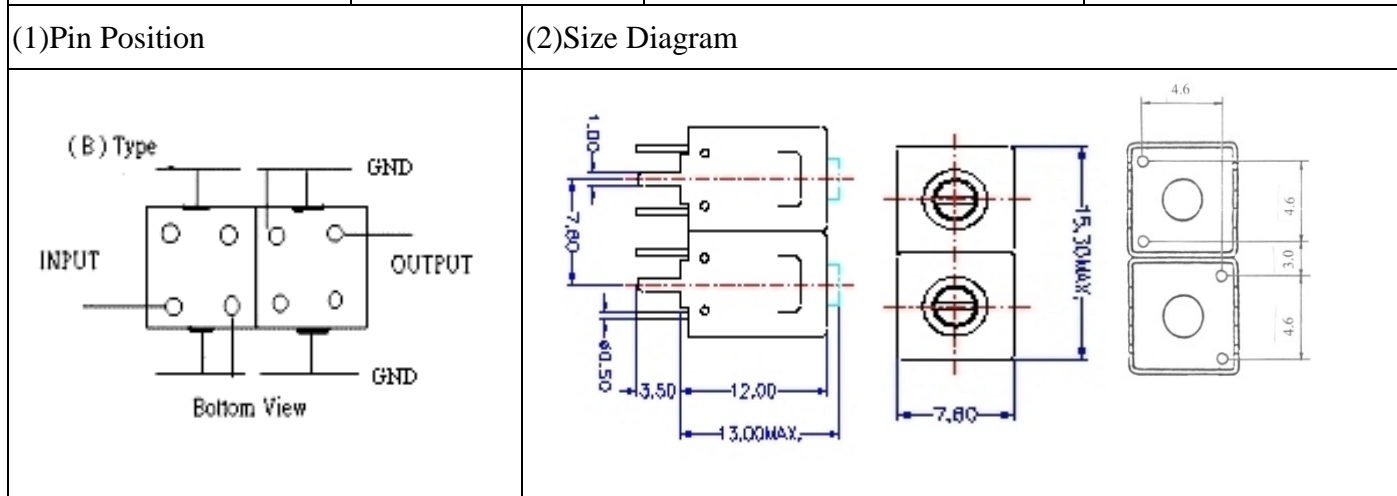


VHF UHF Helical Filter Specification Sheet

Customer Name		Temwell's Part No.	TD67318B-460M
Approval No. /dated	20105033A	Acceptable Specify Fo. Range	456~515MHz
Work Instruction No.	20105033A	Date	June.12.2001



(3)Electric Character

Item	Specify	Performance
Center Freq.(Fo) +/- 0.5 %	460 MHz	460 MHz
Tunable Range	460±5 MHz	460±5 MHz
Insertion Loss	Typ. 1.5 dB	0.72 dB
-1 dB Bandwidth	Typ. 18 MHz	22.9 MHz
-3 dB Bandwidth	Typ. 27 MHz	30.0 MHz
Sensitivity (Attenuation)	Fo - 50 MHz	Typ. 13 dBc
	Fo + 50 MHz	Typ. 16 dBc
	Fo - ()MHz	Typ. dBc
	Fo +()MHz	Typ. dBc
Return Loss	Min. 12 dB	20 dB
Ripple	< 1 dB	dB
Impedance	In / Out : 50 Ω	In / Out : 50 Ω

(4)Torque for Tuning Screw > 100gf • cm

(5)Temperature Condition:

Operating Temperature	0°C ~ +60°C
Storage Temperature	-20°C ~ +70°C

(6)Input Power > 1Watt

Approval	Supervisor	Designer	Aperture size
C.Y.Chang	C.S.Chang	C.S.Chang	7H2S(4*7.5) 7H046LB4 聚 3

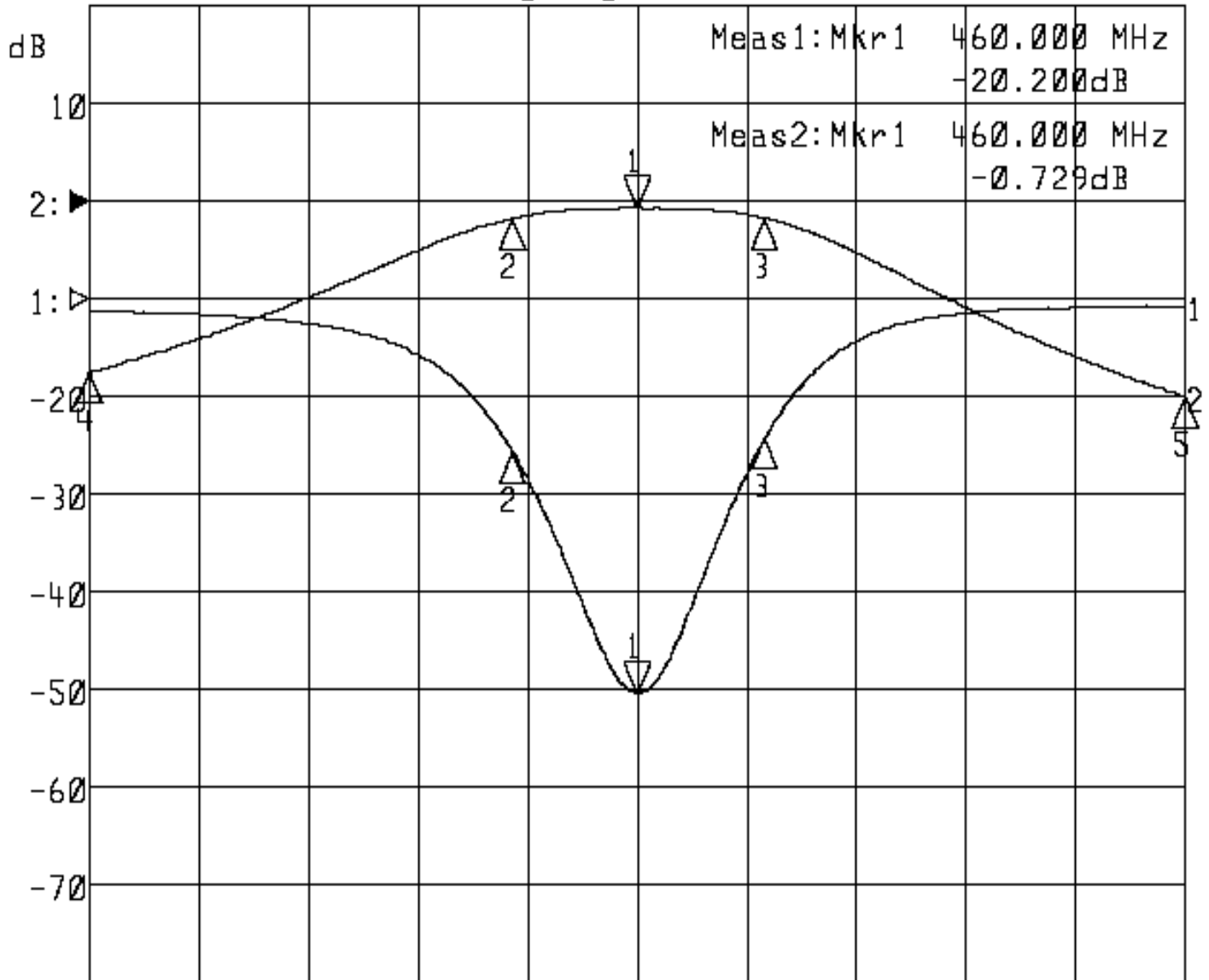
TEMWELL CORPORATION

Performance-TD67318B-460M

20105033A

►1:S11 Refl Port1 Log Mag 5.0 dB/ Ref 0.00 dB C

►2:S21 Fwd Trans Log Mag 10.0 dB/ Ref 0.00 dB C



Center 460.000 MHz

Span 100.000 MHz

1: Mkr (MHz)	dB	2: Mkr (MHz)	dB
1> 460.0000	-20.200	1> 460.0000	-0.729
2: 448.7000	-7.832	2: 448.7000	-1.756
3: 471.6667	-7.170	3: 471.6667	-1.745
		4: 410.0000	-17.550
		5: 509.9667	-20.024