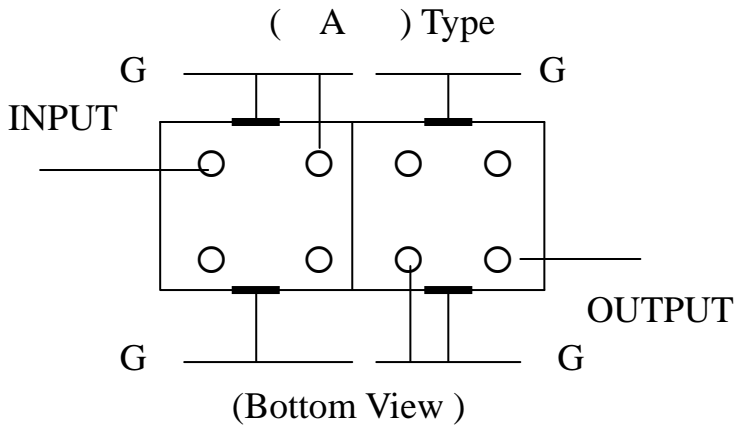


Helical Filter Specification Sheet

Issued Dated :

Customer Name		Temwell's Part No.	TD67258A-868M
Approval No. /dated	20011005B	Customer's Part No.	
Work Instruction No.	20011005B	Date	Sep.07.2000
<input type="checkbox"/> Buyer Print name		<input type="checkbox"/> Temwell,s print name	
Case Name	7H2	Case size :	
Terminator Type	A		

* Pin Position (Pin Connection) diagram as following



(3) Electric Charasteric

Item	Specify	Performance
Center Freq.(Fo) +/- 0.5 %	868 MHz	868 MHz
Insertion Loss	Typ. 4.0 dB	2.97 dB
-3 dB Bandwidth	Typ. 13 MHz	12.8 MHz
Sensentivity (Attenuation)	Fo - 50 MHz	Typ. 23 dBc
	Fo + 50 MHz	Typ. 20 dBc
	Fo - ()MHz	Typ. dBc
	Fo +()MHz	Typ. dBc
Return Loss	Min. 12 dB	21.2 dB
Ripple	< 1 dB	dB
Impedance	In / Out : 50 Ω	In / Out : 50 Ω

4. Temperature Condition:

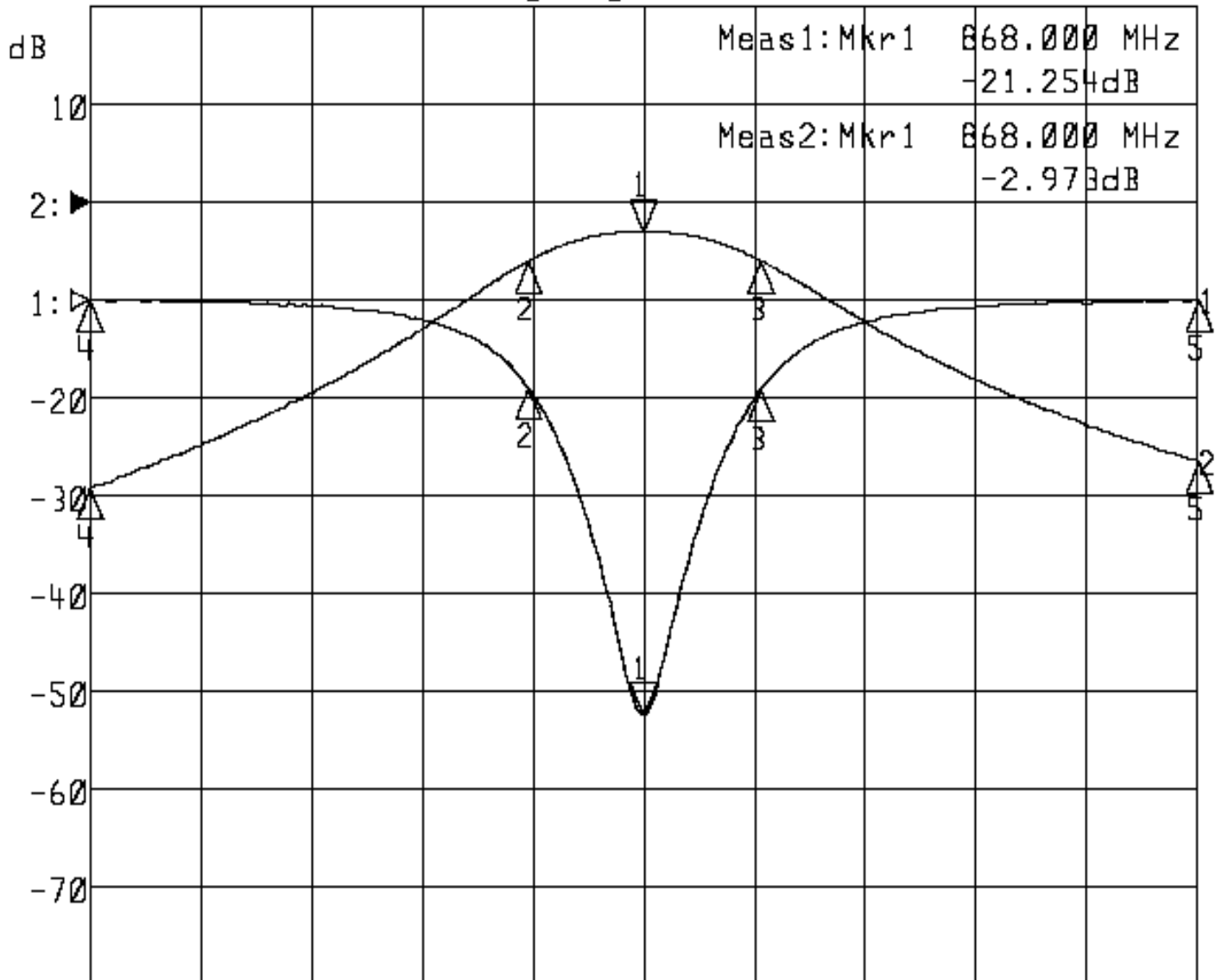
Operating Temperature	0 °C ~ +60 °C
Storage Temperature	-20 °C ~ +70 °C

Approval	Supervisor	Designer	Aperture size
			7H2S(4*4.65)F 7H046LB4 聚 3
TEMWELL CORPORATION			

Performance-TD67258A-868M

20011005B

▷1:S11 Refl Port1 Log Mag 5.0 dB/ Ref 0.00 dB C
▶2:S21 Fwd Trans Log Mag 10.0 dB/ Ref 0.00 dB C



Center 868.000 MHz

Span 100.000 MHz

1: Mkr (MHz)	dB	2: Mkr (MHz)	dB
1> 868.0000	-21.254	1> 868.0000	-2.973
2: 857.6667	-4.514	2: 857.6667	-5.967
3: 878.5000	-4.662	3: 878.5000	-5.898
4: 818.0000	0.043	4: 818.0000	-29.203
5: 918.0000	0.003	5: 918.0000	-26.431