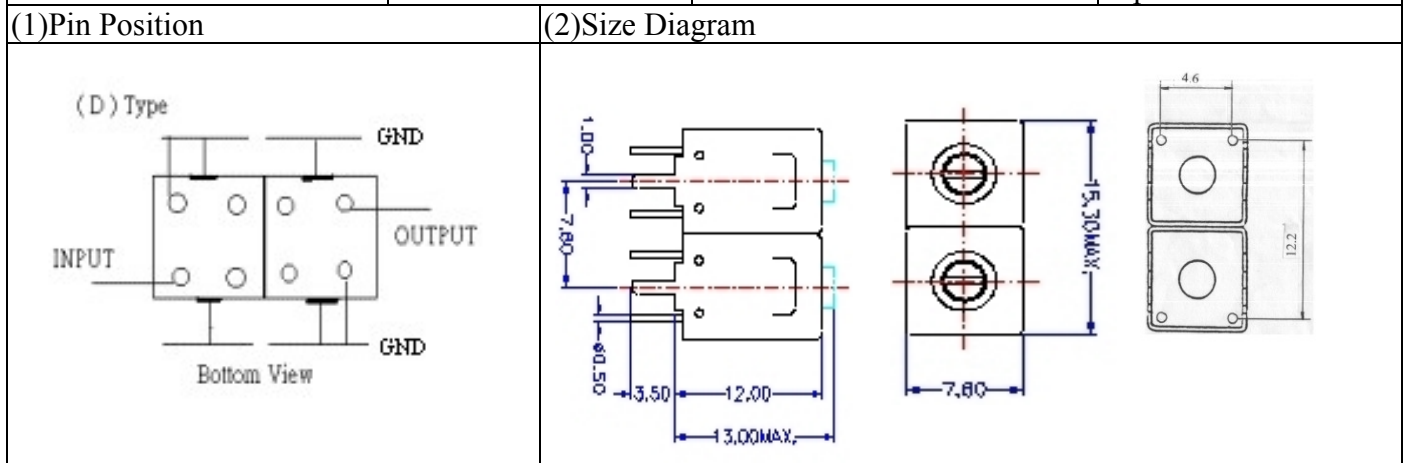


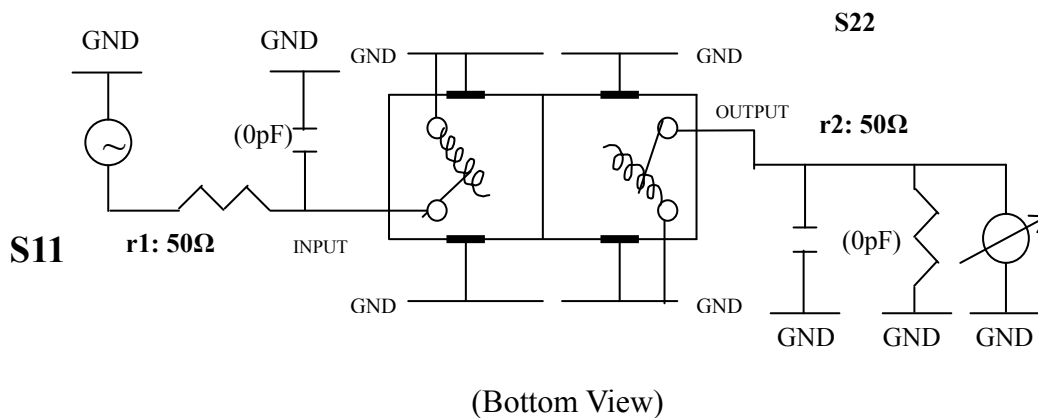
# VHF UHF Helical Filter Specification Sheet

Customer Name		Temwell's Part No.	TD67252D-640M
Approval No. /dated	9804101APR	Acceptable Specify Fo Range	596~640 MHz
Work Instruction No.	9804101	Date	Sep.07.2006



(3) Electric Character			
Item		Specify	Performance
Center Freq.(Fo) +/- 0.5 %		640 MHz	640 MHz
Tunable Range		640±5 MHz	640±5 MHz
Insertion Loss		Typ. 2.5 dB	1.41 dB
-3 dB Bandwidth		Typ. 20 MHz	23.0 MHz
Sensitivity (Attenuation)	Fo - 50 MHz	Typ. 23 dBc	26 dBc
	Fo + 50 MHz	Typ. 19 dBc	21 dBc
	Fo - ( )MHz	Typ. dBc	dBc
	Fo +( )MHz	Typ. dBc	dBc
Return Loss		Min. 12 dB	21.9 dB
Ripple		< 1 dB	dB
Impedance		In / Out : 50 Ω	In / Out : 50 Ω
(4) Torque for Tuning Screw		> 100gf · cm	
(5) Temperature Condition:			
Operating Temperature		0°C ~ +60°C	
Storage Temperature		-20°C ~ +70°C	
(6) Input Power		> 1Watt	

(7) Measuring Circuit: ※Easy to match Impedance 50Ω/ by parallel with about (0) pF.

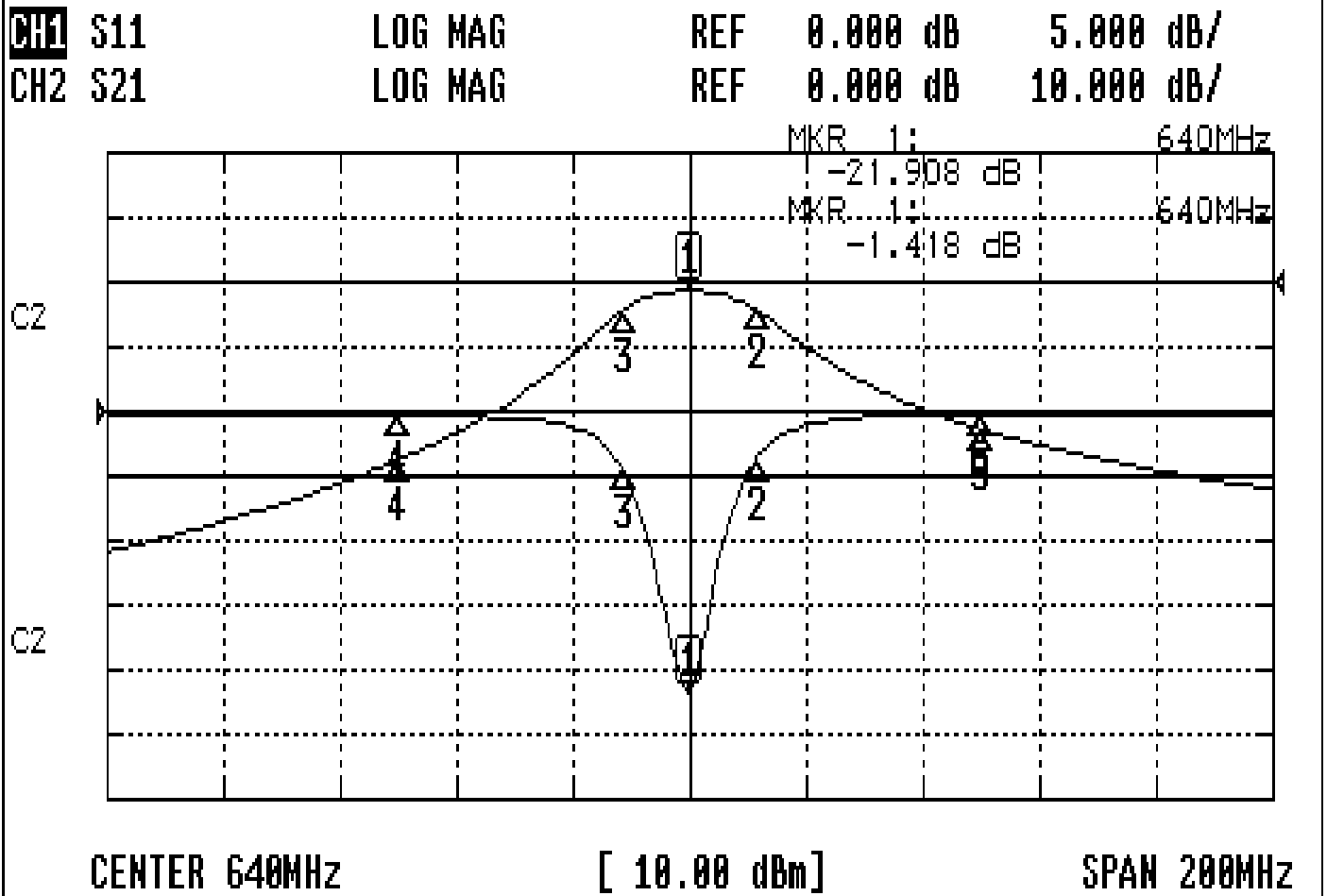


Approval	Supervisor	Designer	Aperture size
C.Y.Chang	C.S.Chang	W.W.Wang	7H2(4*4.65)F 7H046LB4 聚 3

TEMWELL CORPORATION

# Performance-TD67252D-640M

## 9804101



### CH1 MARKER LIST

Marker	Frequency (MHz)	Magnitude (dB)
1	640.000	-21.924
2	651.500	-3.706
3	628.500	-4.467
4	590.000	-0.282
5	690.000	-0.231

### CH2 MARKER LIST

Marker	Frequency (MHz)	Magnitude (dB)
1	640.000	-1.418
2	651.500	-4.439
3	628.500	-4.414
4	590.000	-27.535
5	690.000	-22.787