



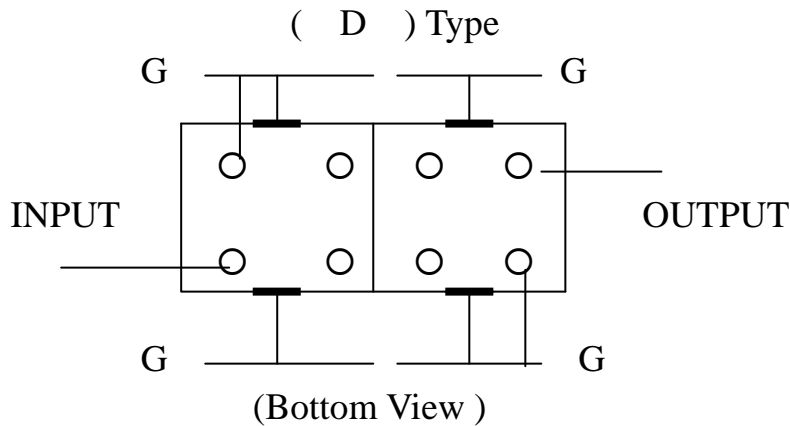
Custom Made UHF Filter & Duplexer

Helical Filter Specification Sheet

Issued Dated :

Customer Name		Temwell's Part No.	TD67206D-620M
Approval No. /dated	980405D	Customer's Part No.	
Work Instruction No.	980405D	Date	Apr.02.1999
<input type="checkbox"/> Buyer Print name		<input type="checkbox"/> Temwell,s print name	
Case Name	7H2	Case size :	
Terminator Type	D		

* Pin Position (Pin Connection) diagram as following



(3) Electric Charasteric

Item	Specify	Performance
Center Freq.(Fo) +/- 0.5 %	620 MHz	620 MHz
Insertion Loss	Typ. 3.0 dB	1.99 dB
-3 dB Bandwidth	Typ. 12 MHz	16.2 MHz
Sensentivity (Attenuation)	Fo - 50 MHz	Typ. 30 dBc
	Fo + 50 MHz	Typ. 26 dBc
	Fo - () MHz	Typ. dBc
	Fo +() MHz	Typ. dBc
Return Loss	Min. 12 dB	dB
Ripple	< 1 dB	dB
Impedance	In / Out : 50 Ω	In / Out : 50 Ω

4. Temperature Condition:

Operating Temperature	0 °C ~ +60 °C
Storage Temperature	-20 °C ~ +70 °C

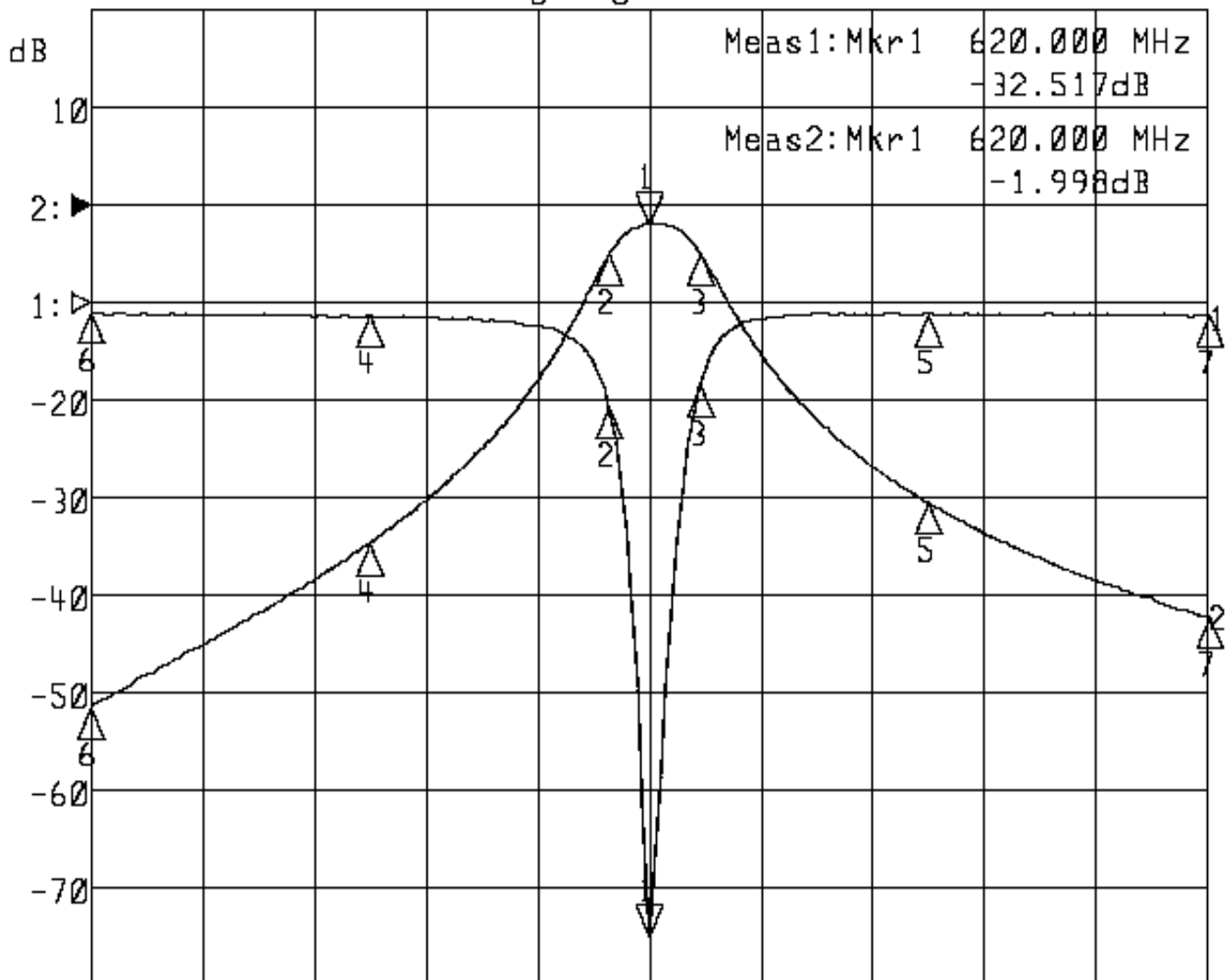
Approval	Supervisor	Designer	Aperture size
C.Y.Chang	C.S.Chang	C.S.Chang	7H2(4*4.5) 7H046LB4 聚 3

TEMWELL CORPORATION

Performance-TD67206D-620M

980405D

►1: S22 Refl Port2 Log Mag 5.0 dB/ Ref 0.00 dB C
►2: S21 Fwd Trans Log Mag 10.0 dB/ Ref 0.00 dB C



Center 620.000 MHz

Span 200.000 MHz

1: Mkr (MHz)	dB	2: Mkr (MHz)	dB
1> 620.0000	-32.517	1> 620.0000	-1.998
2: 612.9000	-5.412	2: 612.9000	-4.967
3: 629.1667	-4.193	3: 629.1667	-4.919
4: 570.0000	-0.653	4: 570.0000	-34.670
5: 670.0000	-0.576	5: 670.0000	-30.566
6: 520.0000	-0.562	6: 520.0000	-51.391
7: 720.0000	-0.628	7: 720.0000	-42.246