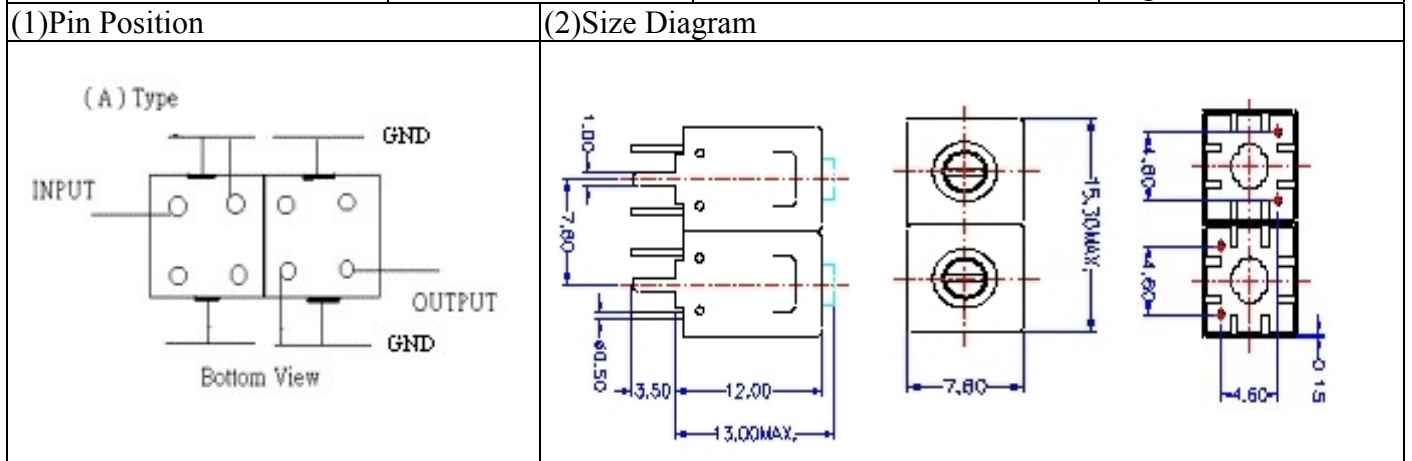


VHF UHF Helical Filter Specification Sheet

Customer Name		Temwell's Part No.	TD67201A-535M
Approval No. /dated	980343APR	Acceptable Specify Fo Range	516~555 MHz
Work Instruction No.	980343D	Date	Aug.23.2006



(3) Electric Character

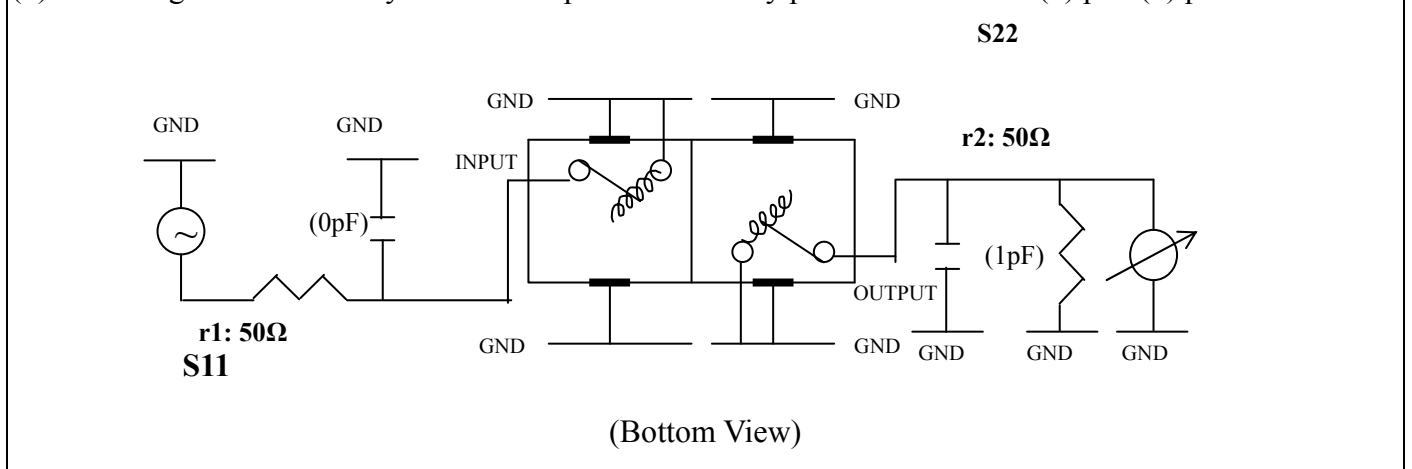
Item	Specify	Performance	
Center Freq.(Fo) +/- 0.5 %	535 MHz	535 MHz	
Tunable Range	535±5 MHz	535±5 MHz	
Insertion Loss	Typ. 3.5 dB	2.56 dB	
-3 dB Bandwidth	Typ. 10 MHz	13.4 MHz	
Sensitivity (Attenuation)	Fo - 40 MHz	Typ. 33 dBc	36 dBc
	Fo + 40 MHz	Typ. 25 dBc	28 dBc
	Fo - ()MHz	Typ. dBc	dBc
	Fo +()MHz	Typ. dBc	dBc
Return Loss	Min. 12 dB	23.2 dB	
Ripple	< 1 dB	dB	
Impedance	In / Out : 50 Ω	In / Out : 50 Ω	
(4) Torque for Tuning Screw	> 100gf · cm		

(5) Temperature Condition:

Operating Temperature	0°C ~ +60°C
Storage Temperature	-20°C ~ +70°C

(6) Input Power > 1 Watt

(7) Measuring Circuit: ※Easy to match Impedance 50Ω/ by parallel with about (0) pF./ (1) pF

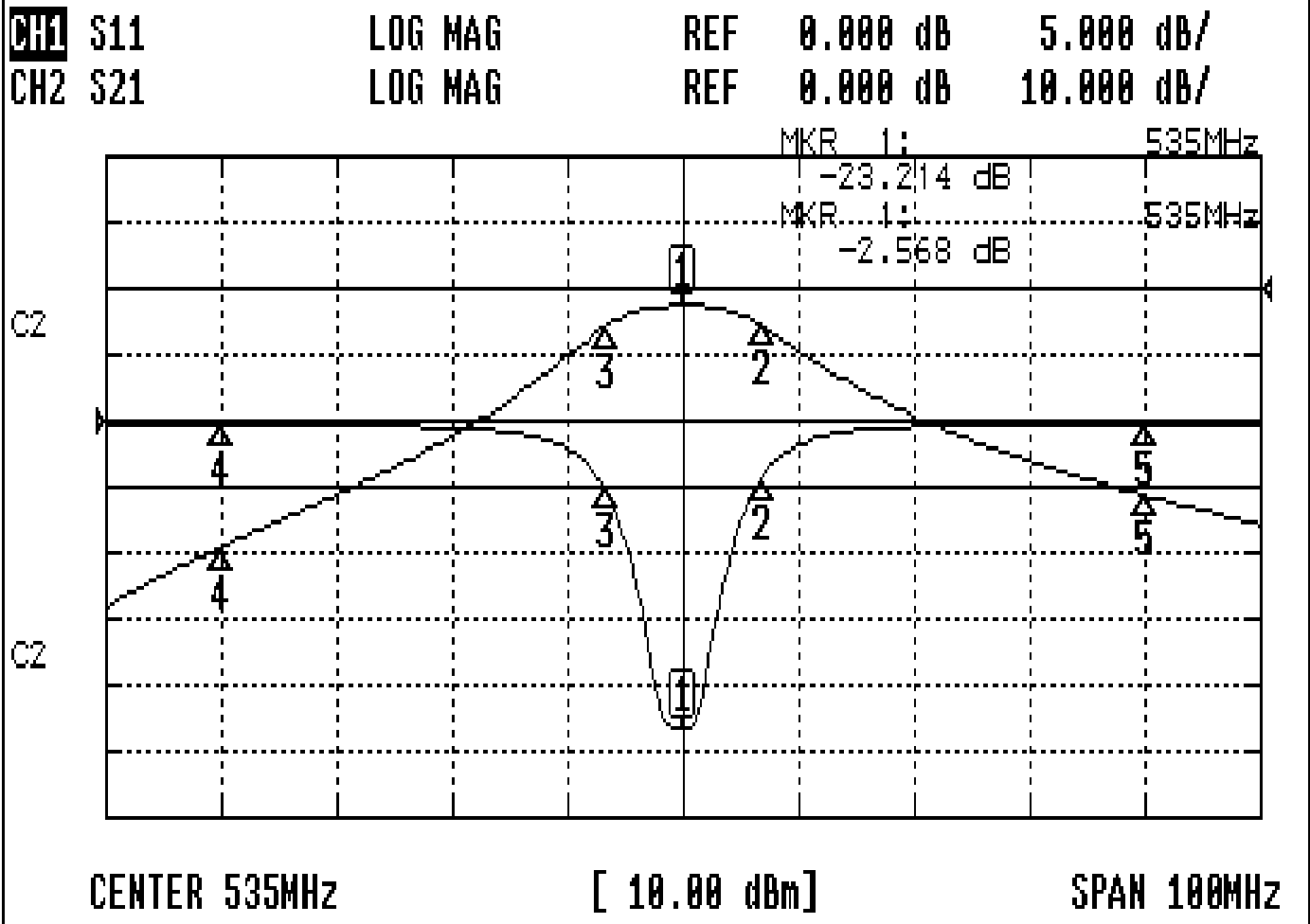


Approval	Supervisor	Designer	Aperture size
C.Y.Chang	C.S.Chang	W.W.Wang	7H2(4*5.5)F 7H046LB4 聚 3

TEMWELL CORPORATION

Performance-TD67201A-535M

980343D



CH1 MARKER LIST

1:	535.000MHz	-23.214	dB
2:	541.833MHz	-14.371	dB
3:	528.416MHz	-15.303	dB
4:	495.000MHz	-0.272	dB
5:	575.000MHz	-0.237	dB

CH2 MARKER LIST

1:	535.000MHz	-2.568	dB
2:	541.833MHz	-14.371	dB
3:	528.416MHz	-15.303	dB
4:	495.000MHz	-0.163	dB
5:	575.000MHz	-1.261	dB