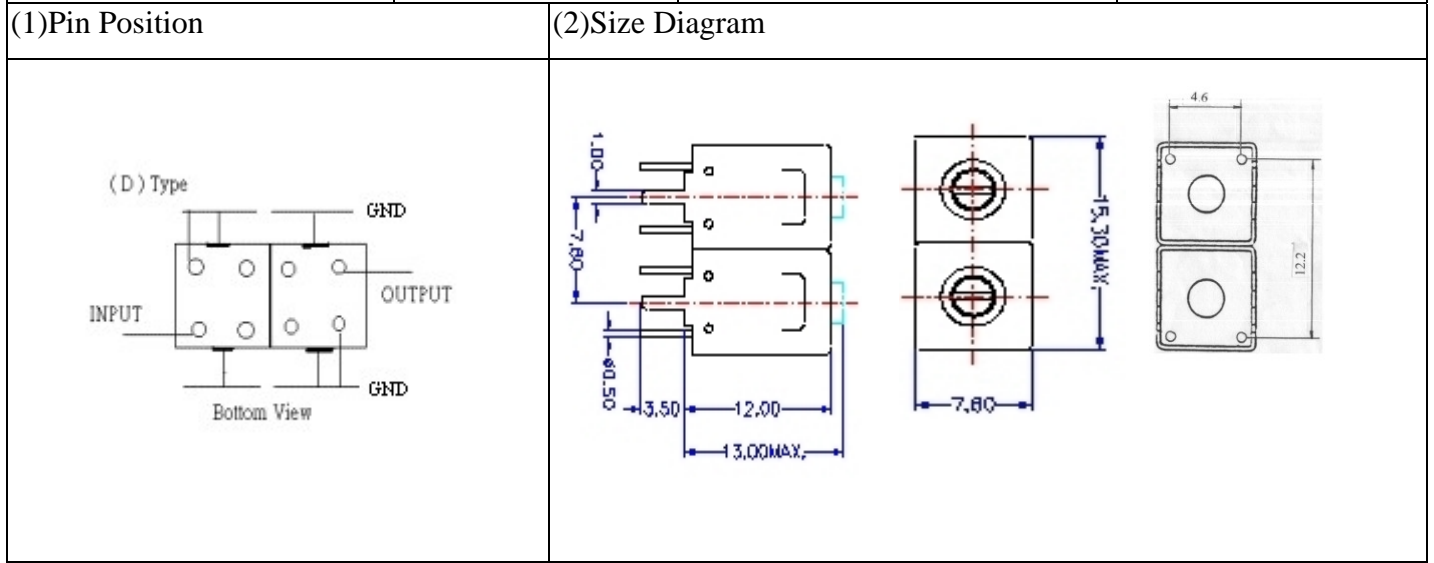


# VHF UHF Helical Filter Specification Sheet

Customer Name		Temwell's Part No.	TD6719D-575M
Approval No. /dated	980376D	Acceptable Specify Fo. Range	556~595M
Work Instruction No.	980376D	Date	87/04/01



(3) Electric Characteristic

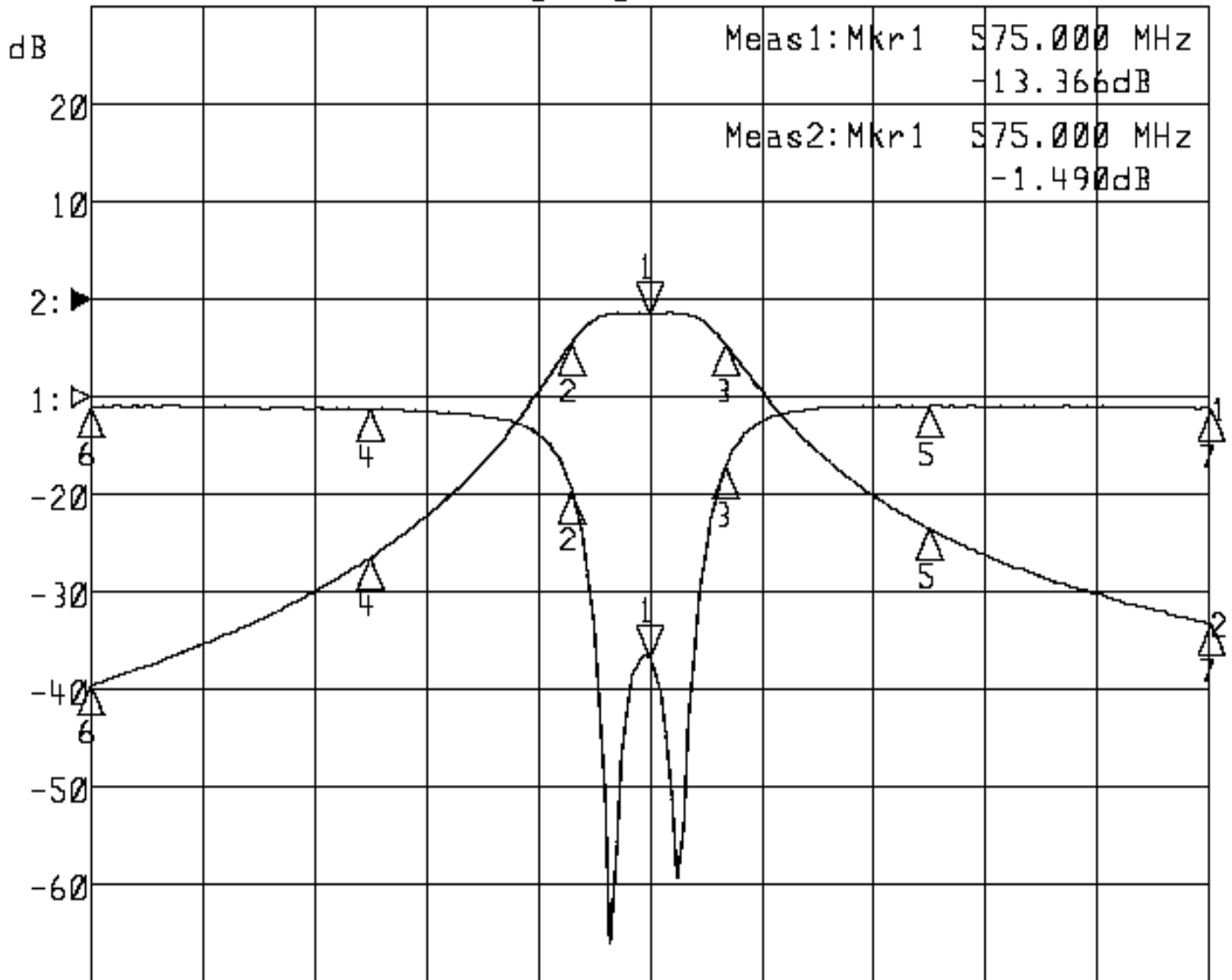
Item	Specify	Performance	
Center Freq.(Fo) +/- 0.5 %	575 MHz	575 MHz	
Tunable Range: <input type="checkbox"/> Fo±5MHz <input checked="" type="checkbox"/> Fo±10MHz	575±5 MHz	575±5 MHz	
Insertion Loss	Typ. 2.0 dB	1.5 dB	
-3 dB Bandwidth	Typ. 21 MHz	25 MHz	
Sensitivity (Attenuation)	Fo - 50 MHz	Typ. 23 dBc	25 dBc
	Fo + 50 MHz	Typ. 20 dBc	22 dBc
	Fo - ( )MHz	Typ. dBc	dBc
	Fo +( )MHz	Typ. dBc	dBc
Return Loss	Min. 12 dB	13.3 dB	
Ripple	< 1 dB	dB	
Impedance	In / Out : 50 Ω	In / Out : 50 Ω	
(4) Torque for Tuning Screw	> 100gf · cm		
(5) Temperature Condition:			
Operating Temperature	0°C ~ +60°C		
Storage Temperature	-20°C ~ +70°C		
(6) Input Power	> 1Watt		
Approval	Supervisor	Designer	Aperture size
C. Y. Chang	C.S. Chang	C. S. Chang	7H2S(4*5.5) 7H046LB4 聚 3

TEMWELL CORPORATION

# Performance-TD6719D-575M

## 980376D

▶1:S11 Refl Port1 Log Mag 5.0 dB/ Ref 0.00 dB C  
▶2:S21 Fwd Trans Log Mag 10.0 dB/ Ref 0.00 dB C



Center 575.000 MHz

Span 200.000 MHz

1:Mkr (MHz)	dB	2:Mkr (MHz)	dB
1> 575.0000	-13.366	1> 575.0000	-1.490
2: 561.1333	-4.844	2: 561.1333	-4.456
3: 588.4667	-3.670	3: 588.4667	-4.460
4: 525.0000	-0.679	4: 525.0000	-26.539
5: 625.0000	-0.491	5: 625.0000	-23.531
6: 475.0000	-0.488	6: 475.0000	-39.541
7: 675.0000	-0.572	7: 675.0000	-33.226