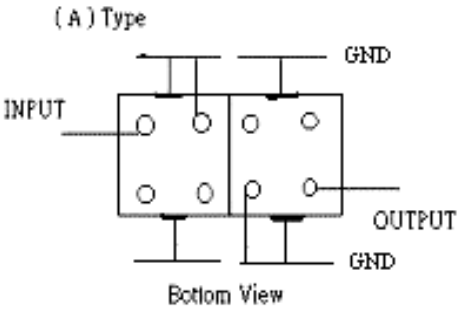
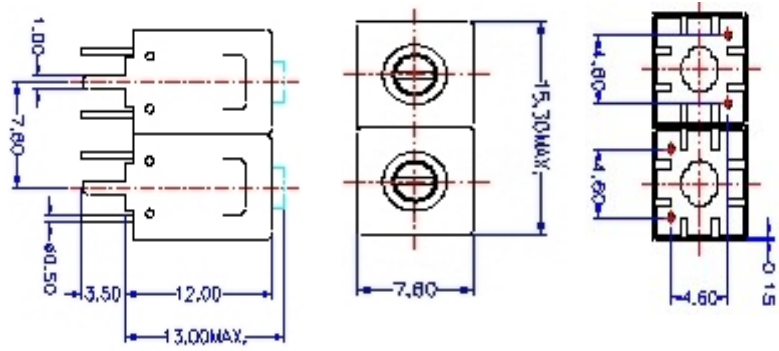


VHF UHF Helical Filter Specification Sheet

Customer Name		Temwell's Part No.	TD67167A-980M
Approval No. /dated	9703121	Acceptable Specify Fo. Range	976~1000MHz
Work Instruction No.	9703121	Date	

<p>(1)Pin Position</p>  <p style="text-align: center;">Bottom View</p>	<p>(2)Size Diagram</p> 
---	---

(3)Electric Character

Item	Specify	Performance	
Center Freq.(Fo) +/- 0.5 %	980 MHz	980 MHz	
Tunable Range	980±10 MHz	980±10 MHz	
Insertion Loss	Typ. 4.0 dB	2.88 dB	
-3 dB Bandwidth	Typ. 22 MHz	26.7 MHz	
Sensitivity (Attenuation)	Fo - 50 MHz	Typ. 20 dBc	23 dBc
	Fo + 50 MHz	Typ. 18 dBc	21 dBc
	Fo - ()MHz	Typ. dBc	dBc
	Fo +()MHz	Typ. dBc	dBc
Return Loss	Min. 12 dB	17.9 dB	
Ripple	< 1 dB	dB	
Impedance	In / Out : 50 Ω	In / Out : 50 Ω	

(4)Torque for Tuning Screw > 100gf · cm

(5)Temperature Condition:

Operating Temperature	0°C ~ +60°C
Storage Temperature	-20°C ~ +70°C

(6)Input Power > 1Watt

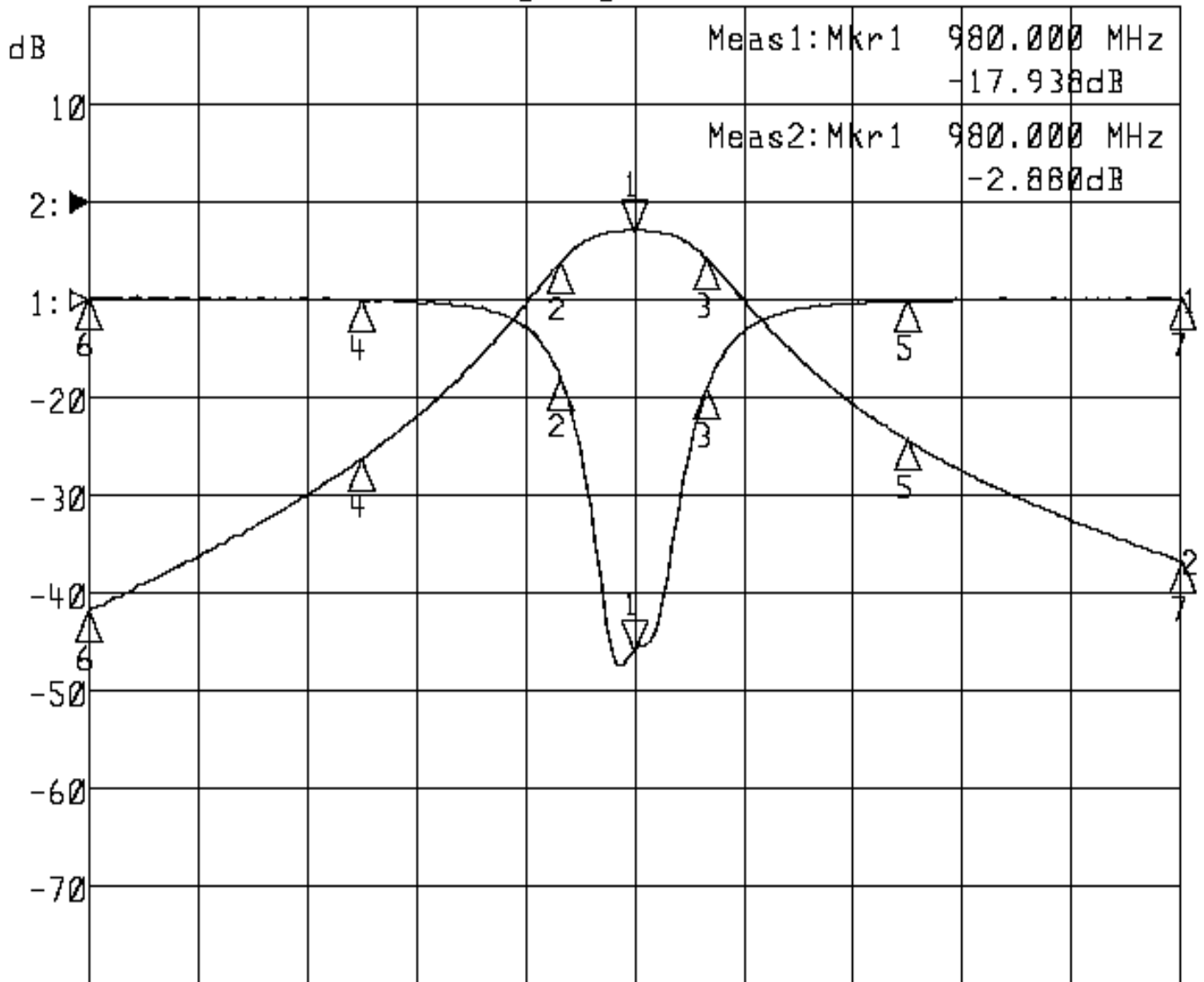
Approval	Supervisor	Designer	Aperture size
C.Y. Chang	C.S. Chang	C.S. Chang	7H2(4*4.65)(4.7) 7H046LB4 聚 3

TEMWELL CORPORATION

Performance-TD67167A-980M

9703121

▶1:S11 Refl Port1 Log Mag 5.0 dB/ Ref 0.00 dB C
 ▶2:S21 Fwd Trans Log Mag 10.0 dB/ Ref 0.00 dB C



Center 980.000 MHz

Span 200.000 MHz

1: Mkr (MHz)	dB	2: Mkr (MHz)	dB
1> 980.0000	-17.938	1> 980.0000	-2.880
2: 966.6000	-4.051	2: 966.6000	-6.025
3: 993.3333	-4.511	3: 993.3333	-5.763
4: 930.0000	-0.020	4: 930.0000	-26.290
5: 1030.0000	-0.059	5: 1030.0000	-24.322
6: 880.0000	0.072	6: 880.0000	-41.787
7: 1080.0000	0.074	7: 1080.0000	-36.719