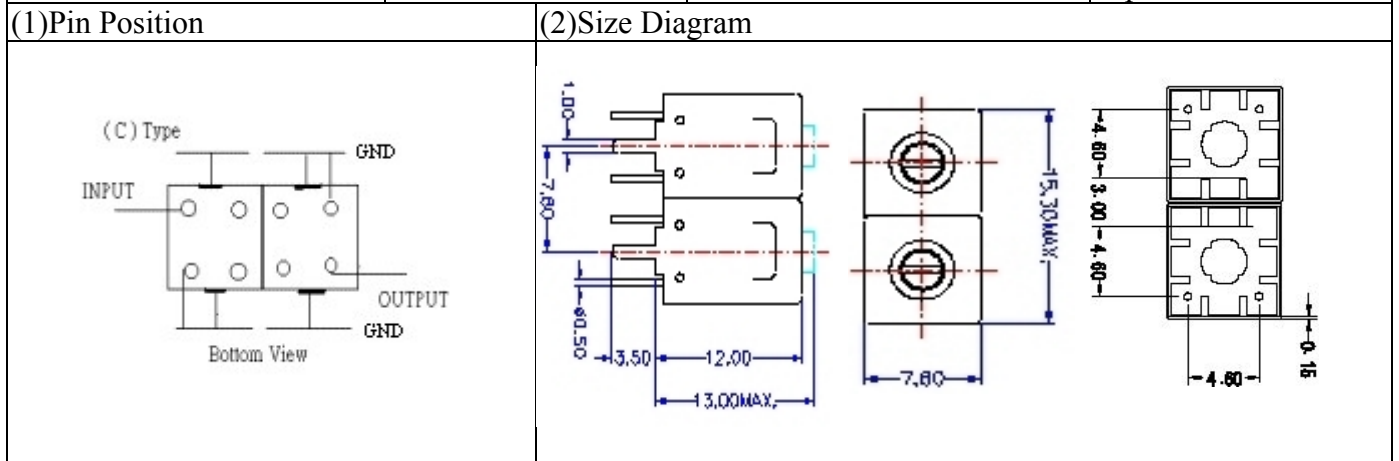


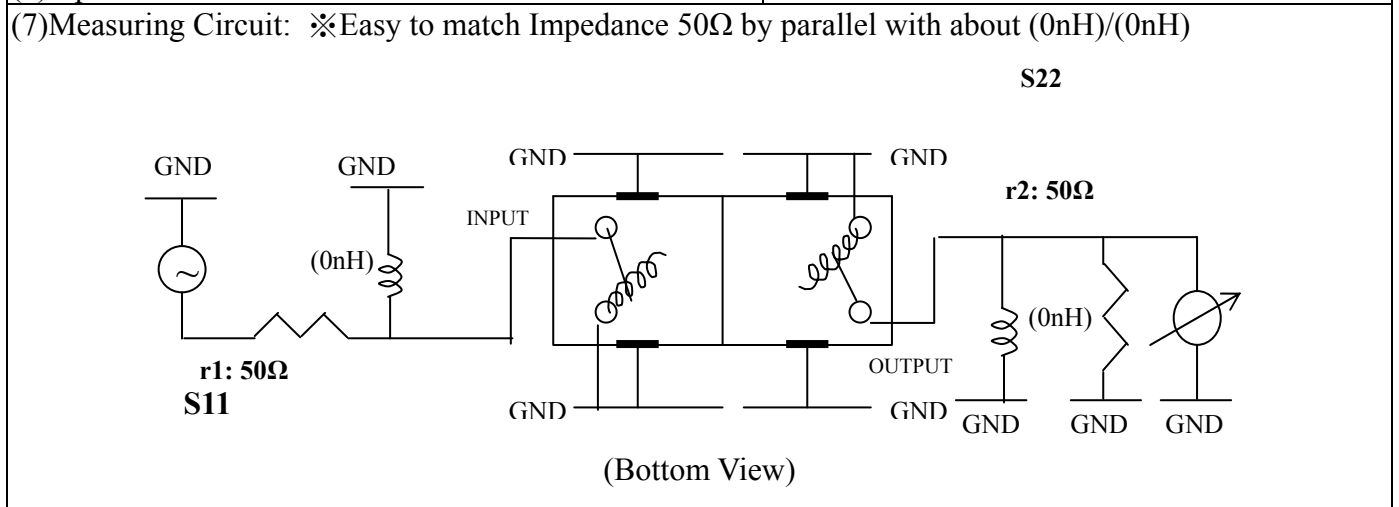
VHF UHF Helical Filter Specification Sheet

Customer Name		Temwell's Part No.	TD67166C-960M
Approval No. /dated	0709021APR	Temwell's Print Name	67166C 960M
Work Instruction No.	0709021C	Date	Sep.19.2007



(3) Electric Characteristic			
Item		Specify	Performance
Center Freq.(Fo) +/- 0.5 %		960 MHz	960 MHz
Tunable Range:		960±10 MHz	960±10 MHz
Insertion Loss		Typ. 2.5 dB	1.57 dB
-3 dB Bandwidth		Typ. 26 MHz	31.1 MHz
Sensitivity (Attenuation)	Fo - 50 MHz	Typ. 17 dBc	20 dBc
	Fo + 50 MHz	Typ. 14 dBc	17 dBc
	Fo - ()MHz	Typ. dBc	dBc
	Fo +()MHz	Typ. dBc	dBc
Return Loss		Min. 12 dB	24.9 dB
Ripple		< 1 dB	dB
Impedance		In / Out : 50 Ω	In / Out : 50 Ω
(4) Torque for Tuning Screw		> 100gf · cm	

(5) Temperature Condition:	
Operating Temperature	0°C ~ +60°C
Storage Temperature	-20°C ~ +70°C
(6) Input Power	> 1Watt

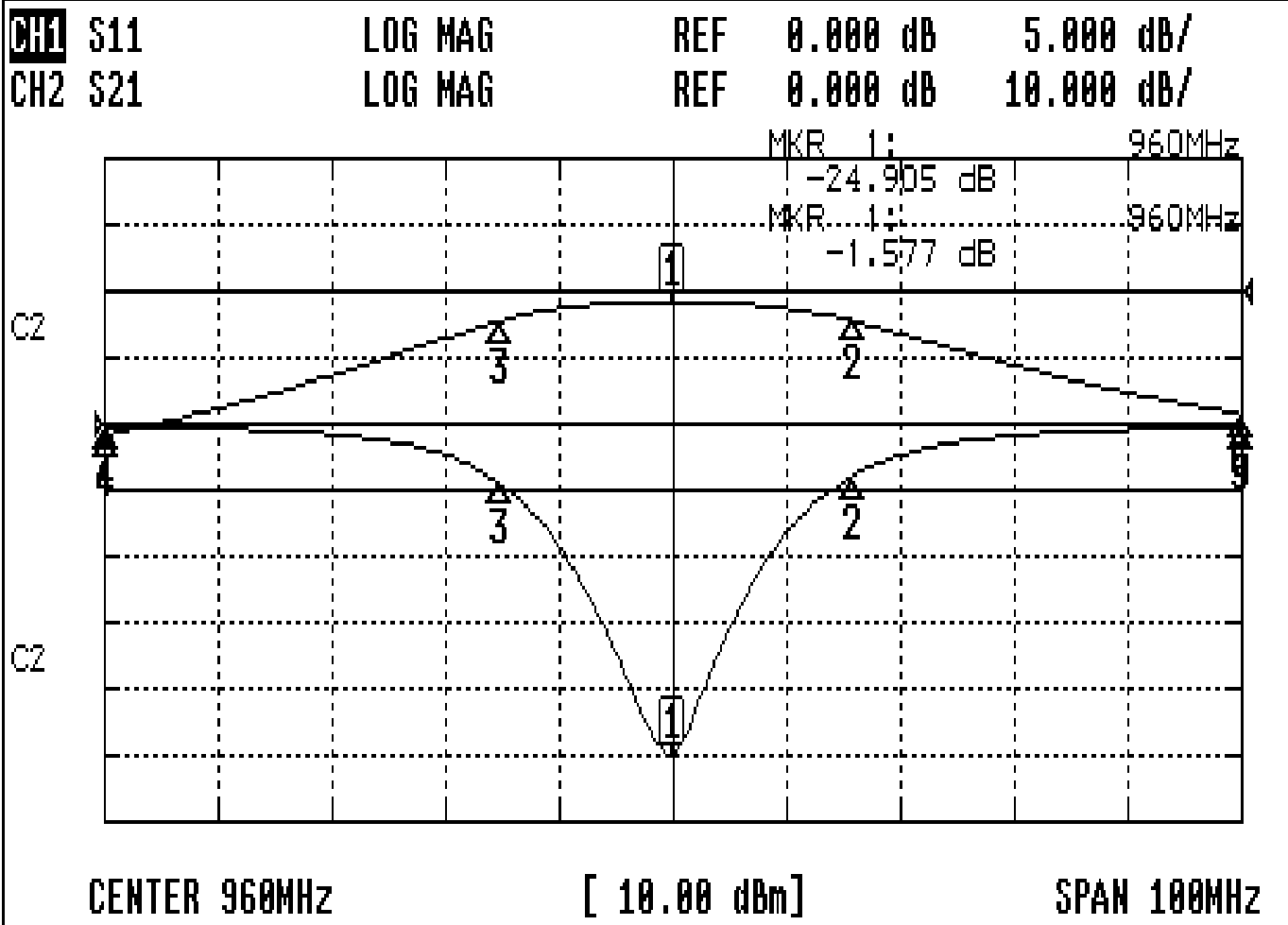


Approval	Supervisor	Designer	Aperture size
C.Y.Chang	C.S.Chang	K.M.Yin	7H2S(4*4.65)F 7H046RB4

TEMWELL CORPORATION

Performance-TD67166C-960M

0709021C



CH1 MARKER LIST

1:	960.000MHz	-24.905	dB
2:	975.916MHz	-3.844	dB
3:	944.833MHz	-4.494	dB
4:	910.000MHz	-0.226	dB
5:	1.010 000GHz	-0.263	dB

CH2 MARKER LIST

1:	960.000MHz	-1.577	dB
2:	975.916MHz	-4.581	dB
3:	944.833MHz	-4.510	dB
4:	910.000MHz	-21.787	dB
5:	1.010 000GHz	-18.558	dB