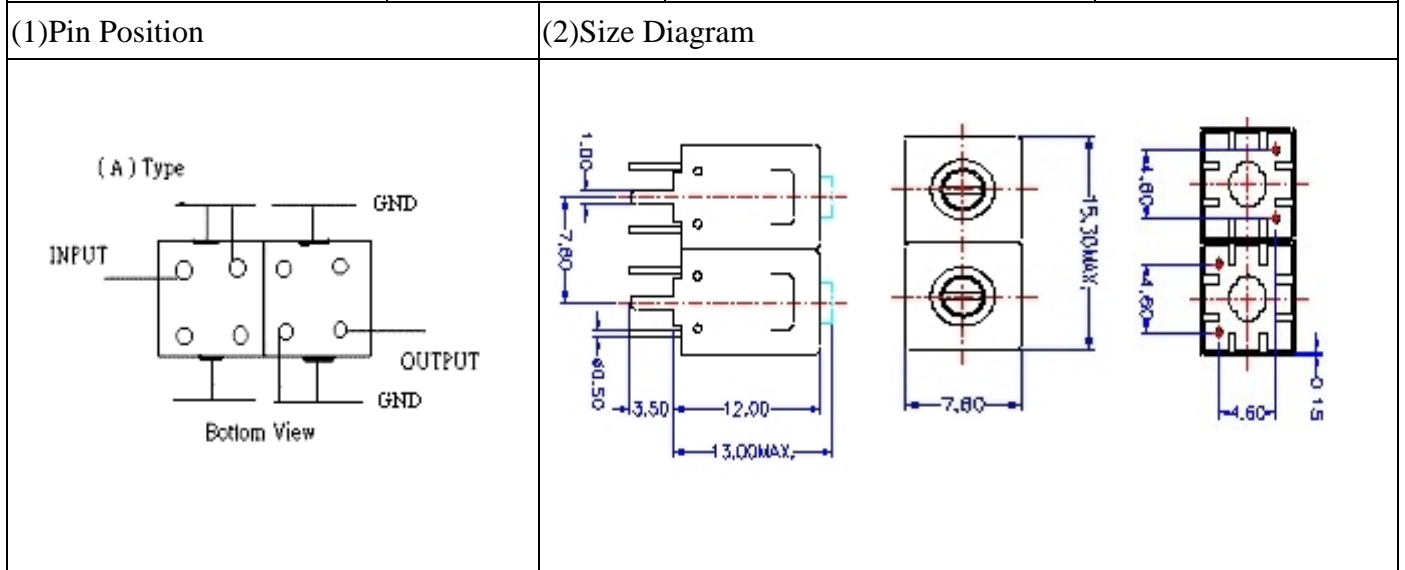


VHF UHF Helical Filter Specification Sheet

Customer Name		Temwell's Part No.	TD67165A-940M
Approval No. /dated	9711100	Acceptable Specify Fo. Range	931~950MHz
Work Instruction No.	9711100	Date	Nov.04.1997



(3) Electric Character

Item	Specify	Performance	
Center Freq.(Fo) +/- 0.5 %	940 MHz	940 MHz	
Tunable Range	940±10 MHz	940±10 MHz	
Insertion Loss	Typ. 3.0 dB	1.95 dB	
-3 dB Bandwidth	Typ. 22 MHz	27.2 MHz	
Sensitivity (Attenuation)	Fo - 100 MHz	Typ. 35 dBc	38 dBc
	Fo + 100 MHz	Typ. 31 dBc	34 dBc
	Fo - ()MHz	Typ. dBc	dBc
	Fo +()MHz	Typ. dBc	dBc
Return Loss	Min. 12 dB	16.9 dB	
Ripple	< 1 dB	dB	
Impedance	In / Out : 50 Ω	In / Out : 50 Ω	
(4) Torque for Tuning Screw	> 100gf · cm		

(5) Temperature Condition:

Operating Temperature	0°C ~ +60°C
Storage Temperature	-20°C ~ +70°C

(6) Input Power

	> 1Watt
--	---------

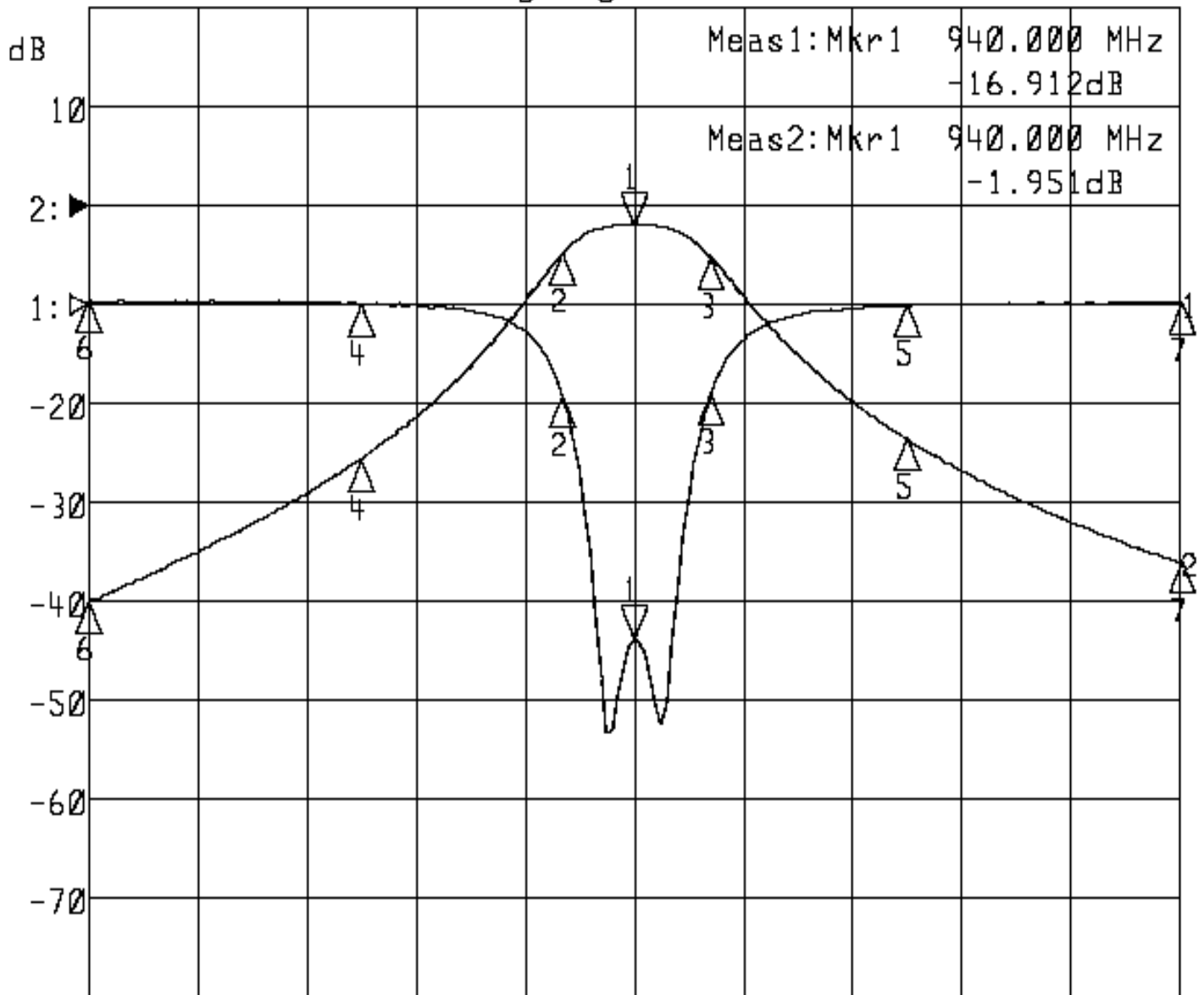
Approval	Supervisor	Designer	Aperture size
C.Y.Chang	C.S.Chang	C.S.Chang	7H2S(4*4.6) 7H046LB4 聚 3

TEMWELL CORPORATION

Performance - TD67165A-940M

9911100

▶1: S11 Refl Port1 Log Mag 5.0 dB/ Ref 0.00 dB C
 ▶2: S21 Fwd Trans Log Mag 10.0 dB/ Ref 0.00 dB C



Center 940.000 MHz

Span 200.000 MHz

1: Mkr (MHz)	dB	2: Mkr (MHz)	dB
1> 940.0000	-16.912	1> 940.0000	-1.951
2: 926.9333	-4.613	2: 926.9333	-4.778
3: 954.1333	-4.522	3: 954.1333	-5.220
4: 890.0000	-0.018	4: 890.0000	-25.639
5: 990.0000	-0.061	5: 990.0000	-23.611
6: 840.0000	0.210	6: 840.0000	-39.980
7: 1040.0000	0.075	7: 1040.0000	-36.109