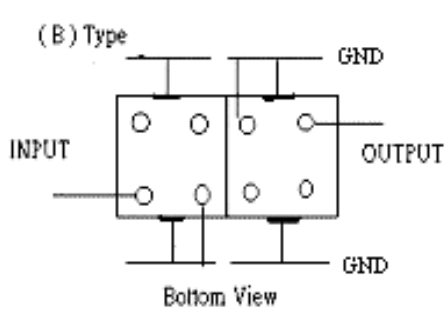
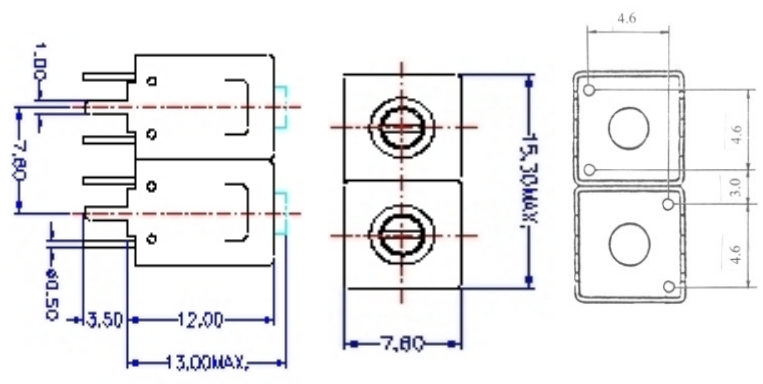


VHF UHF Helical Filter Specification Sheet

Customer Name		Temwell's Part No.	TD67156B2-435M
Approval No. /dated	20212020A	Acceptable Specify Fo. Range	401~455MHz
Work Instruction No.	20212020A	Date	Dec.19.2002

(1)Pin Position	(2)Size Diagram
 <p style="text-align: center;">(B) Type Bottom View</p>	

(3)Electric Character

Item	Specify	Performance
Center Freq.(Fo) +/- 0.5 %	435 MHz	435 MHz
Tunable Range	435±5 MHz	435±5 MHz
Insertion Loss	Typ. 2.5 dB	1.35 dB
-3 dB Bandwidth	Typ. 16 MHz	19.6 MHz
Sensitivity (Attenuation)	Fo - 50 MHz	Typ. 20 dBc
	Fo + 50 MHz	Typ. 30 dBc
	Fo - ()MHz	Typ. dBc
	Fo +()MHz	Typ. dBc
Return Loss	Min. 12 dB	23.6 dB
Ripple	< 1 dB	1 dB
Impedance	In / Out : 50 Ω	In / Out : 50 Ω
(4)Torque for Tuning Screw	> 100gf • cm	

(5)Temperature Condition:

Operating Temperature	0°C ~ +60°C
Storage Temperature	-20°C ~ +70°C
(6)Input Power	> 1Watt

Approval	Supervisor	Designer	Aperture size
C.Y.Chang	C.S.Chang	C.S.Chang	7H2S,(4*6.5) 7H046LB4 聚 3

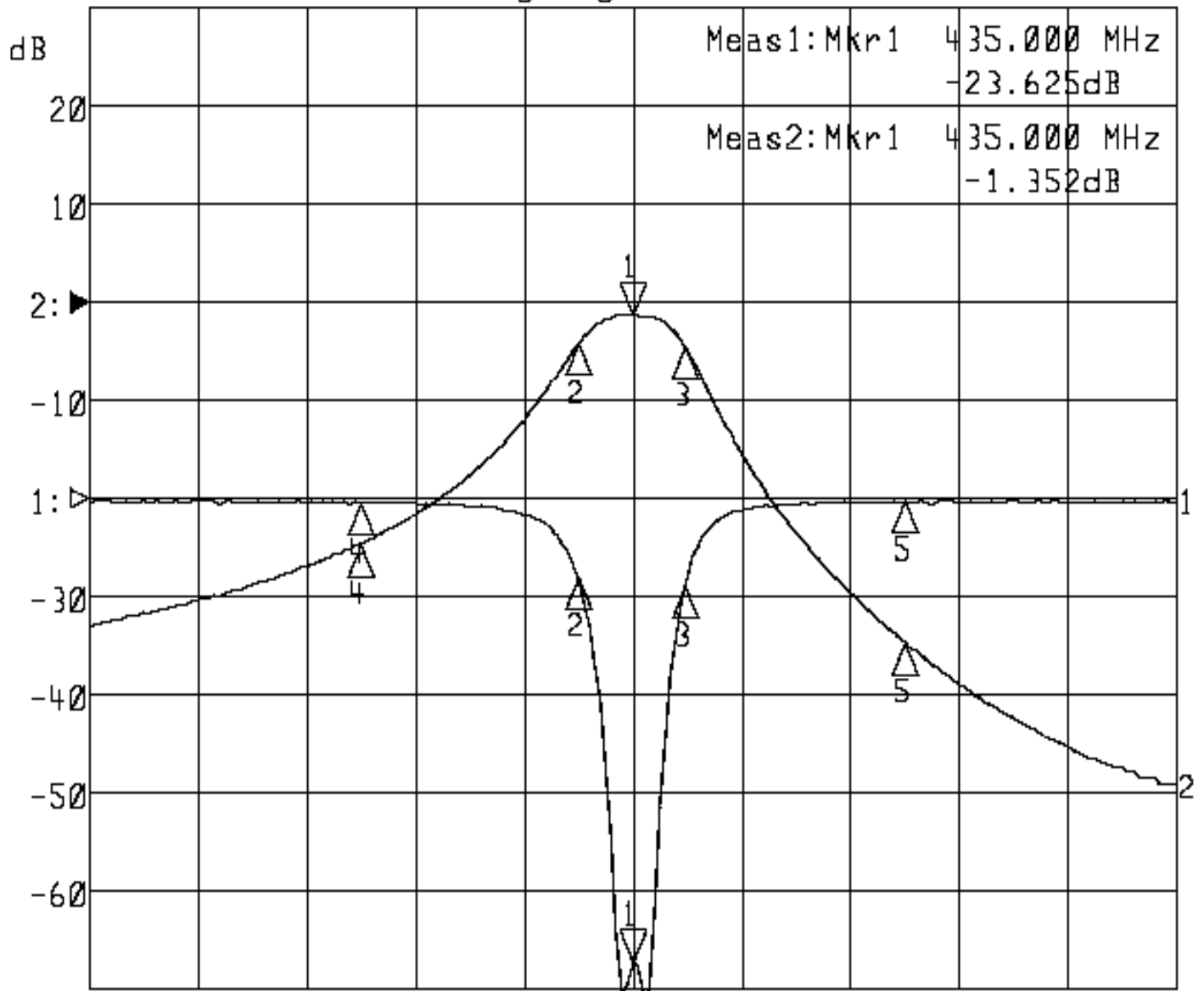
TEMWELL CORPORATION

Performance-TD67156B2-435M

20212020A

▶1: S11 Refl Port1 Log Mag 5.0 dB/ Ref 0.00 dB C

▶2: S21 Fwd Trans Log Mag 10.0 dB/ Ref 0.00 dB C



Center 435.000 MHz

Span 200.000 MHz

1: Mkr (MHz)	dB	2: Mkr (MHz)	dB
1> 435.0000	-23.625	1> 435.0000	-1.352
2: 424.8667	-4.015	2: 424.8667	-4.353
3: 444.4667	-4.551	3: 444.4667	-4.376
4: 385.0000	-0.222	4: 385.0000	-24.625
5: 485.0000	-0.170	5: 485.0000	-34.629