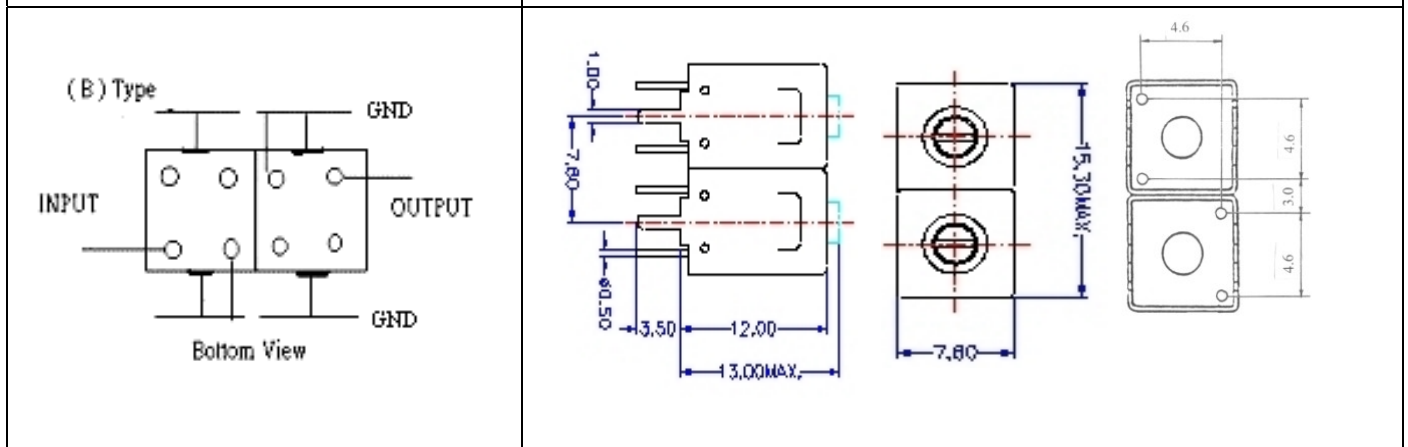


# VHF UHF Helical Filter Specification Sheet

Customer Name		Temwell's Part No.	TD67156B1-435M
Approval No. /dated	20409106B	Acceptable Specify Fo. Range	401~455MHz
Work Instruction No.	20409106B	Date	Oct.06.2004

(1)Pin Position	(2)Size Diagram
-----------------	-----------------



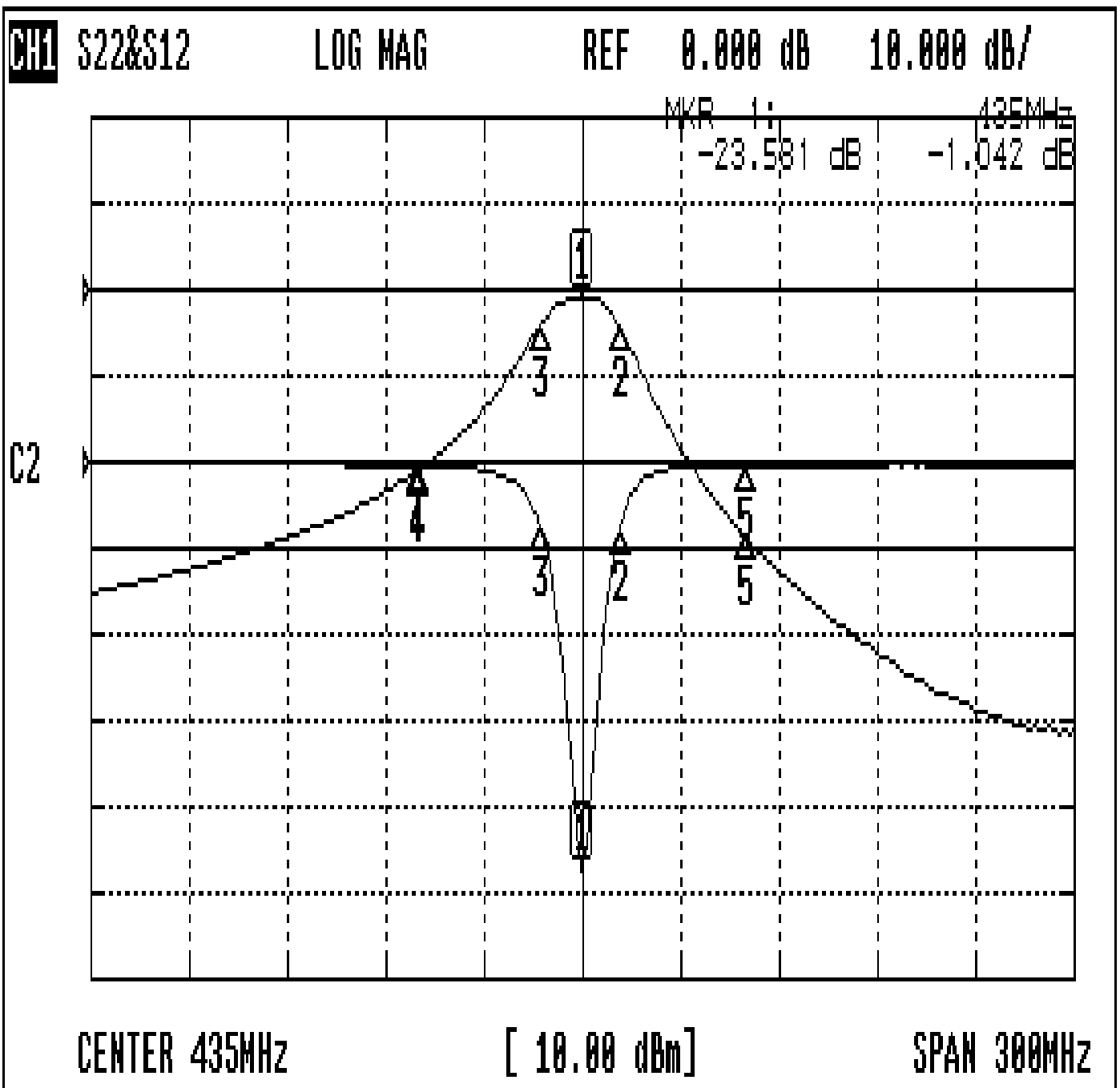
(3)Electric Character
-----------------------

Item	Specify	Performance	
Center Freq.(Fo ) +/- 0.5 %	435 MHz	435 MHz	
Tunable Range	435±5 MHz	435±5 MHz	
Insertion Loss	Typ. 2.0 dB	1.04 dB	
-3 dB Bandwidth	Typ. 20 MHz	24.3 MHz	
Sensitivity (Attenuation)	Fo - 50 MHz	Typ. 17 dBc	
	Fo + 50 MHz	Typ. 25 dBc	
	Fo - ( )MHz	Typ. dBc	
	Fo +( )MHz	Typ. dBc	
Return Loss	Min. 12 dB	23.5 dB	
Ripple	< 1 dB	1 dB	
Impedance	In / Out : 50 Ω	In / Out : 50 Ω	
(4)Torque for Tuning Screw			
> 100gf • cm			
(5)Temperature Condition:			
Operating Temperature	0°C ~ +60°C		
Storage Temperature	-20°C ~ +70°C		
(6)Input Power			
> 1Watt			
Approval	Supervisor	Designer	Aperture size
C.Y.Chang	C.S.Chang	P.H.Chiang	7H2(4*6.5)(6.66) 7H046LB4 聚 3

TEMWELL CORPORATION

# Performance-TD67156B1-435M

## 20409106B



### CH1 MARKER LIST

1:	435.000MHz	-23.581 dB	-1.042 dB
2:	446.500MHz	-3.850 dB	-4.157 dB
3:	422.250MHz	-3.677 dB	-4.004 dB
4:	385.000MHz	-0.204 dB	-20.935 dB
5:	485.000MHz	-0.169 dB	-28.718 dB