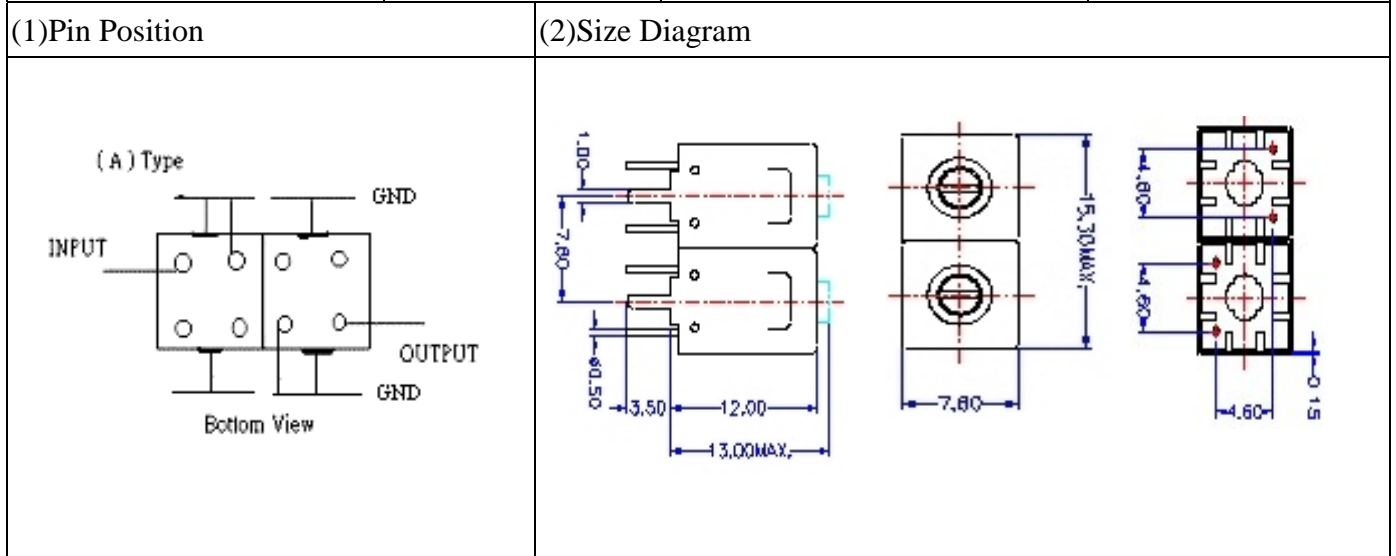


VHF UHF Helical Filter Specification Sheet

Customer Name		Temwell's Part No.	TD67121A-870M
Approval No. /dated	2008008B	Acceptable Specify Fo. Range	861~900MHz
Work Instruction No.	2008008B	Date	Aug.02.2000



(3) Electric Character

Item	Specify	Performance
Center Freq.(Fo) +/- 0.5 %	870 MHz	870 MHz
Tunable Range	870±10 MHz	870±10 MHz
Insertion Loss	Typ. 3.0 dB	2.0 dB
-3 dB Bandwidth	Typ. 14 MHz	18.2 MHz
Sensitivity (Attenuation)	Fo - 50 MHz	Typ. 27 dBc
	Fo + 50 MHz	Typ. 24 dBc
	Fo - ()MHz	Typ. dBc
	Fo +()MHz	Typ. dBc
Return Loss	Min. 12 dB	44.0 dB
Ripple	< 1 dB	dB
Impedance	In / Out : 50 Ω	In / Out : 50 Ω

(4) Torque for Tuning Screw > 100gf • cm

(5) Temperature Condition:

Operating Temperature	0°C ~ +60°C
Storage Temperature	-20°C ~ +70°C

(6) Input Power > 1Watt

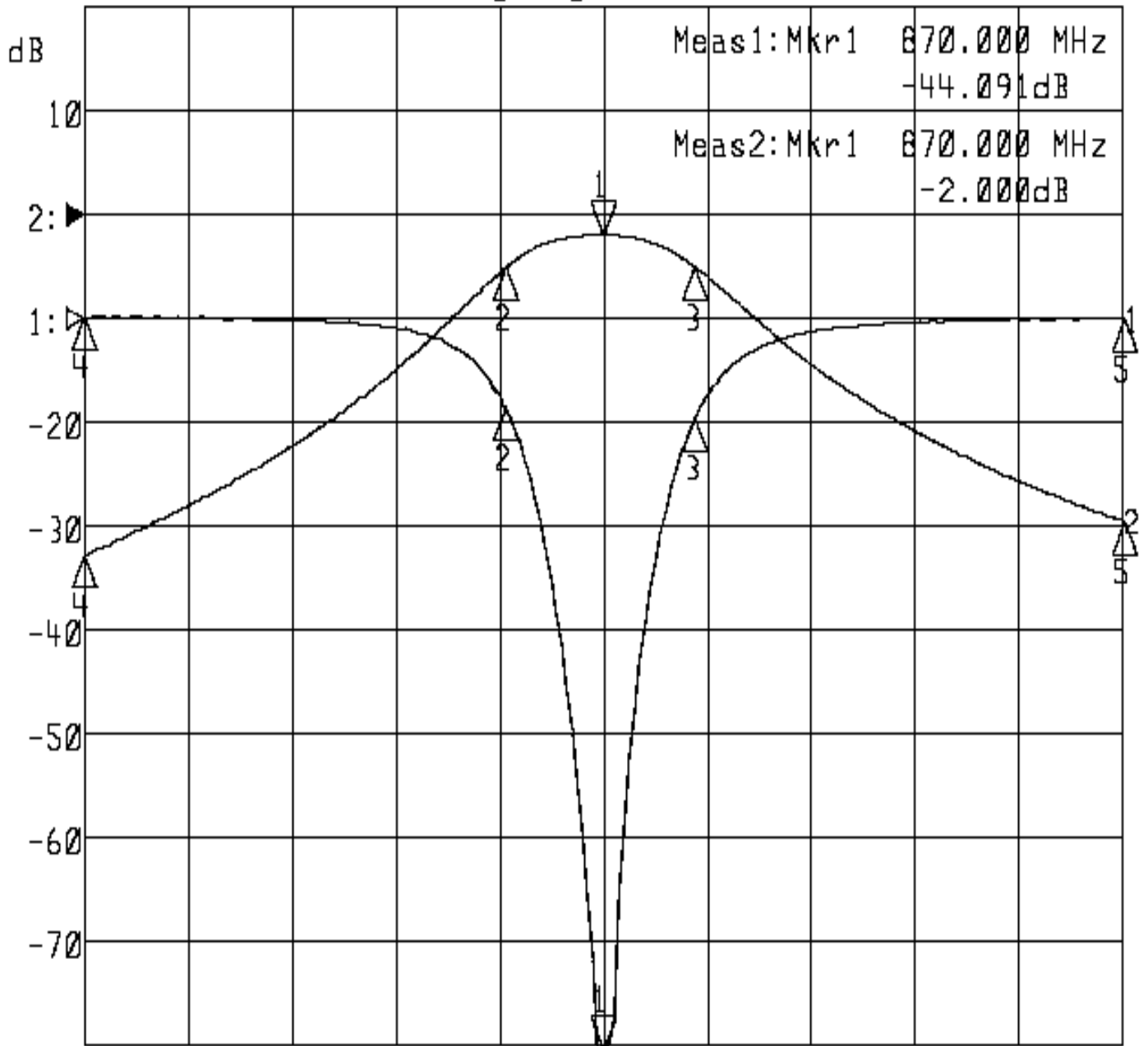
Approval	Supervisor	Designer	Aperture size
C.Y. Chang	C.S. Chang	C.M.Wong	7H2(4*4.65) 7H046LB4

TEMWELL CORPORATION

Performance-TD67121A-870M

2008008B

▽1: S11 Refl Port1 Log Mag 5.0 dB/ Ref 0.00 dB C
 ▽2: S21 Fwd Trans Log Mag 10.0 dB/ Ref 0.00 dB C



Center 870.000 MHz

Span 100.000 MHz

1: Mkr (MHz)	dB	2: Mkr (MHz)	dB
1> 870.0000	-44.091	1> 870.0000	-2.000
2: 860.6000	-4.293	2: 860.6000	-5.122
3: 878.8333	-4.801	3: 878.8333	-5.000
4: 820.0000	0.086	4: 820.0000	-32.767
5: 920.0000	0.032	5: 920.0000	-29.449