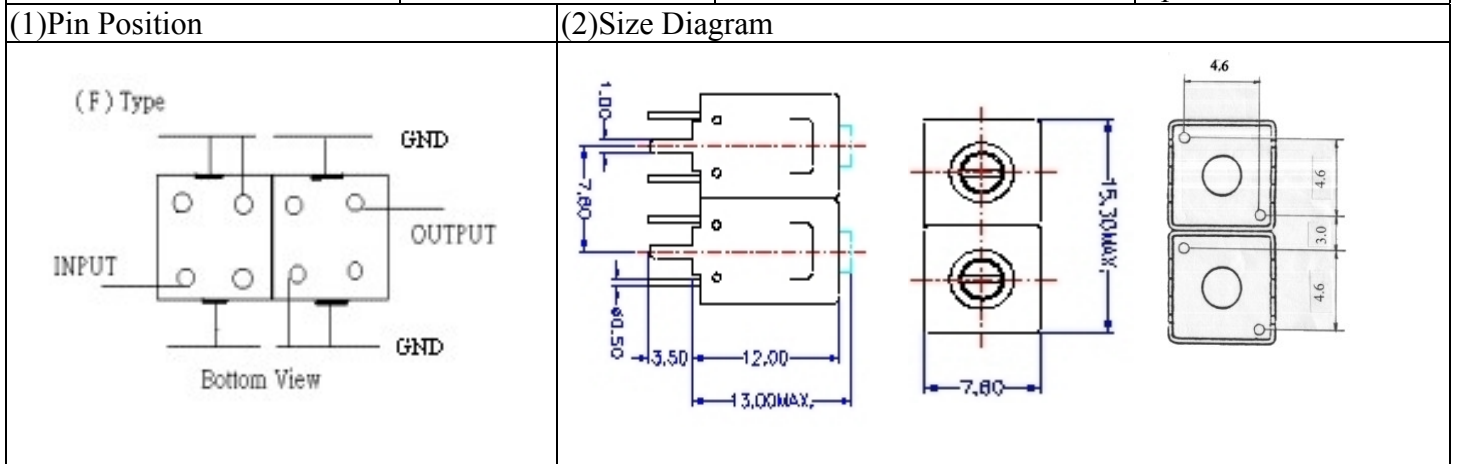


# VHF UHF Helical Filter Specification Sheet

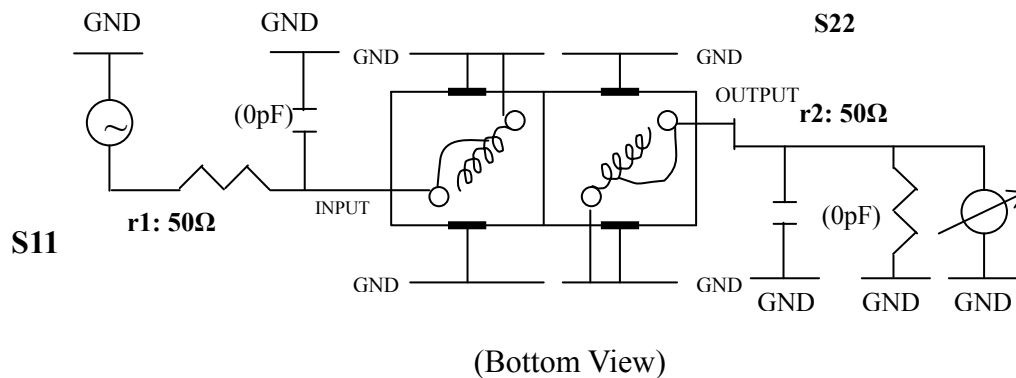
Customer Name		Temwell's Part No.	TD6711F-410M
Approval No. /dated	0604032APR	Acceptable Specify Fo. Range	401~455M
Work Instruction No.	0604032B	Date	Apr.24.2006



(3) Electric Character			
Item		Specify	Performance
Center Freq.(Fo ) +/- 0.5 %		410 MHz	410 MHz
Tunable Range		410±5 MHz	410±5 MHz
Insertion Loss		Typ. 2.5 dB	1.59 dB
-3 dB Bandwidth		Typ. 13 MHz	15.3 MHz
Sensitivity (Attenuation)	Fo - 50 MHz	Typ. 34 dBc	37 dBc
	Fo + 50 MHz	Typ. 23 dBc	26 dBc
	Fo - ( )MHz	Typ. dBc	dBc
	Fo +( )MHz	Typ. dBc	dBc
Return Loss		Min. 12 dB	18.0 dB
Ripple		< 1 dB	dB
Impedance		In / Out : 50 Ω	In / Out : 50 Ω

(4) Torque for Tuning Screw		> 100gf · cm
(5) Temperature Condition:		
Operating Temperature		0°C ~ +60°C
Storage Temperature		-20°C ~ +70°C
(6) Input Power		> 1Watt

(7) Measuring Circuit: ※Easy to match Impedance 50Ω by parallel with about ( 0 ) pF.



Approval	Supervisor	Designer	Aperture size
C.Y.Chang	C.S.Chang	P.H.Chianh	7H2(4*5.5)(5.56) 7H046LB4 聚 3

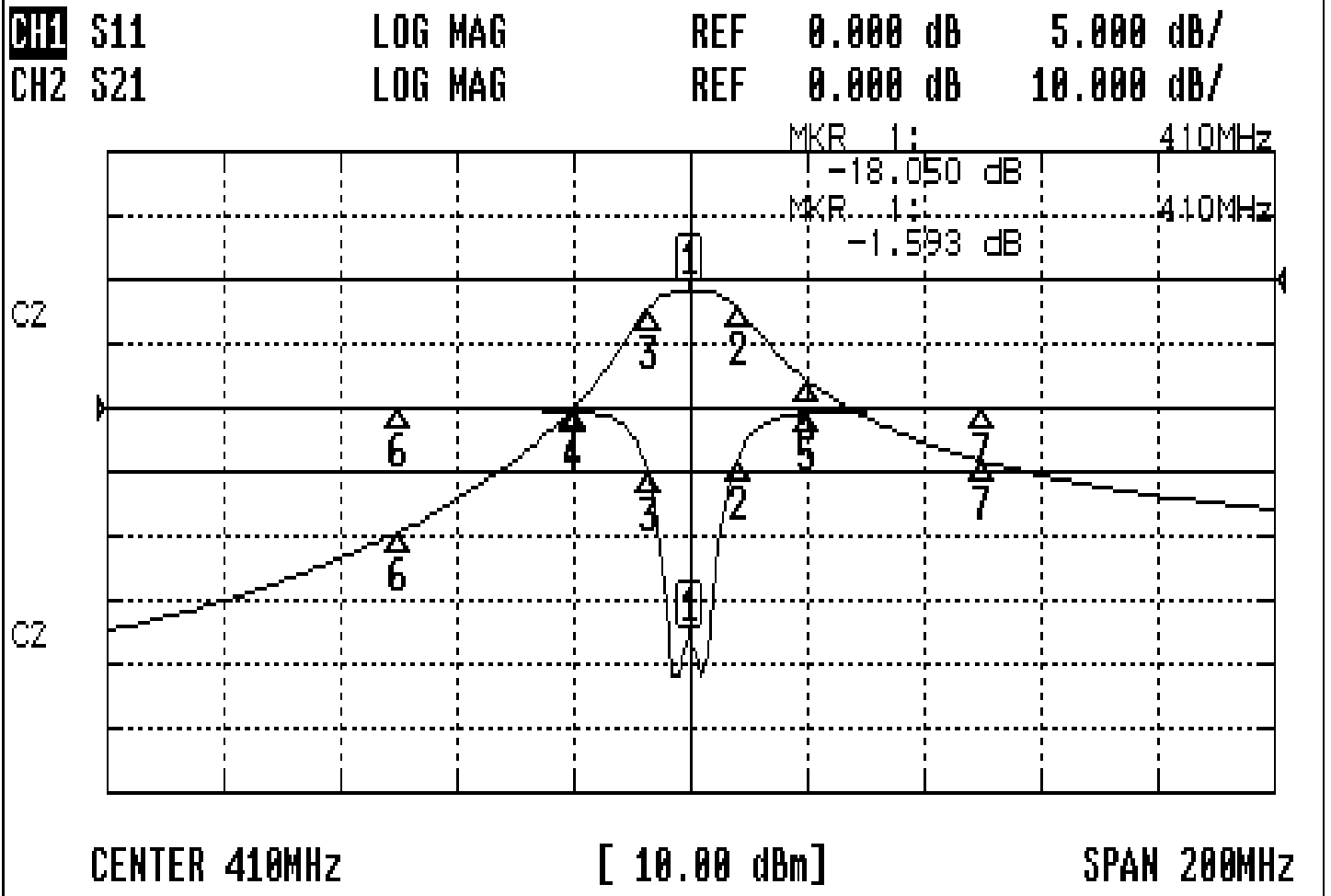
TEMWELL CORPORATION

TEMWELL

RP (p.h)

# Performance- TD6711F-410M

## 0604032B



### CH1 MARKER LIST

1:	410.000MHz	-18.050	dB
2:	418.166MHz	-4.006	dB
3:	402.833MHz	-4.986	dB
4:	390.000MHz	-10.256	dB
5:	430.000MHz	-10.393	dB
6:	360.000MHz	-10.049	dB
7:	460.000MHz	-0.061	dB

### CH2 MARKER LIST

1:	410.000MHz	-1.592	dB
2:	418.166MHz	-4.558	dB
3:	402.833MHz	-4.415	dB
4:	390.000MHz	-11.971	dB
5:	430.000MHz	-11.630	dB
6:	360.000MHz	-10.284	dB
7:	460.000MHz	-20.289	dB