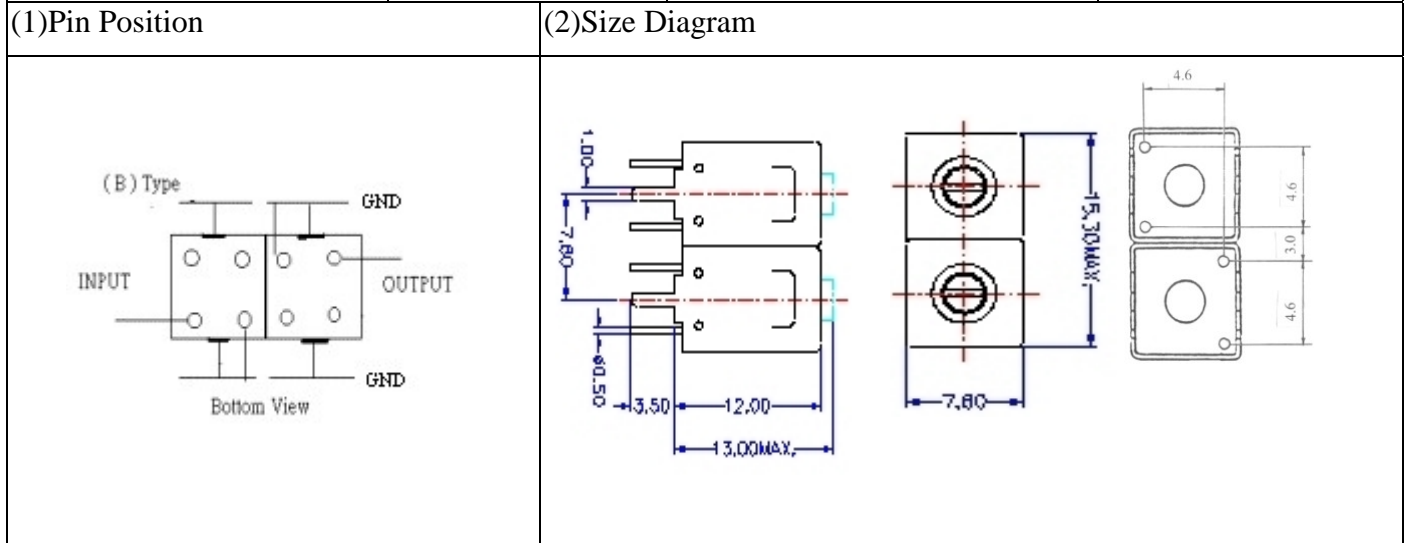


VHF UHF Helical Filter Specification Sheet

Customer Name		Temwell's Part No.	TD6711B3-500M
Approval No. /dated	20502005DC	Acceptable Specify Fo. Range	456~515M
Work Instruction No.	20502005DC	Date	Feb.04.2005



(3)Electric Chararistic

Item	Specify	Performance
Center Freq.(Fo) +/- 0.5 %	500 MHz	500 MHz
Tunable Range	500±5 MHz	500±5 MHz
Insertion Loss	Typ. 2.5 dB	1.48 dB
-1 dB Bandwidth	Typ. 7 MHz	11.9 MHz
-3 dB Bandwidth	Typ. 13 MHz	16 MHz
Sensitivity (Attenuation)	Fo - 40 MHz	Typ. 26 dBc
	Fo + 40 MHz	Typ. 19 dBc
	Fo - ()MHz	Typ. dBc
	Fo +()MHz	Typ. dBc
Return Loss	Min. 12 dB	26.7 dB
Ripple	< 1 dB	dB
Impedance	In / Out : 50 Ω	In / Out : 50 Ω

(4)Torque for Tuning Screw > 100gf · cm

(5)Temperature Condition:

Operating Temperature	0°C ~ +60°C
Storage Temperature	-20°C ~ +70°C

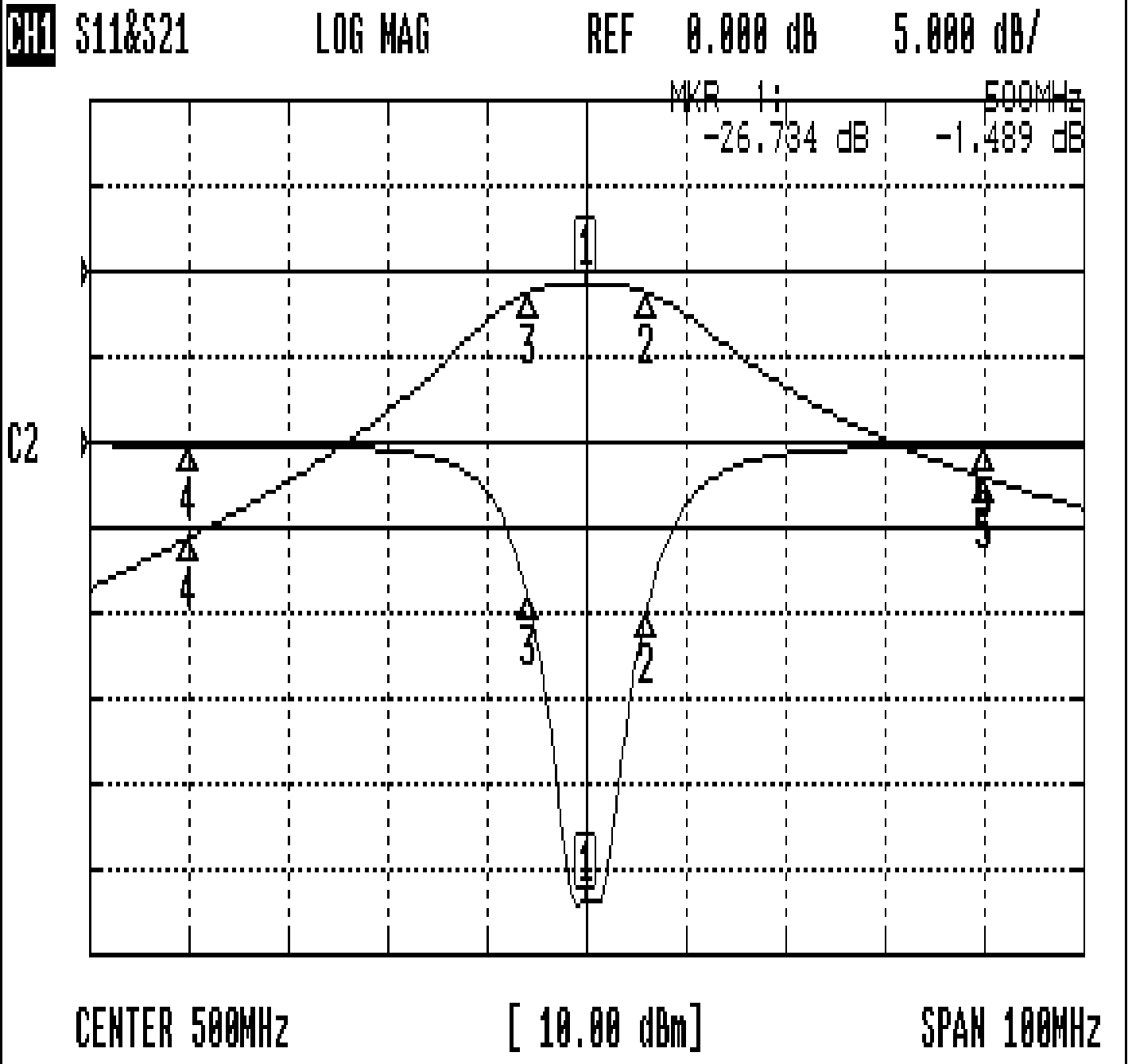
(6)Input Power > 1Watt

Approval	Supervisor	Designer	Aperture size
C. Y. Chang	C.S. Chang	C. S. Chang	7H2, 4*5.5(5.57) 7H046RB4

TEMWELL CORPORATION

Performance-TD6711B3-500M

20502005DC



CH1 MARKER LIST

1:	500.000MHz	-26.734 dB	-1.489 dB
2:	506.000MHz	-10.117 dB	-2.436 dB
3:	494.166MHz	-9.071 dB	-2.485 dB
4:	460.000MHz	-0.145 dB	-31.168 dB
5:	540.000MHz	-0.213 dB	-24.189 dB