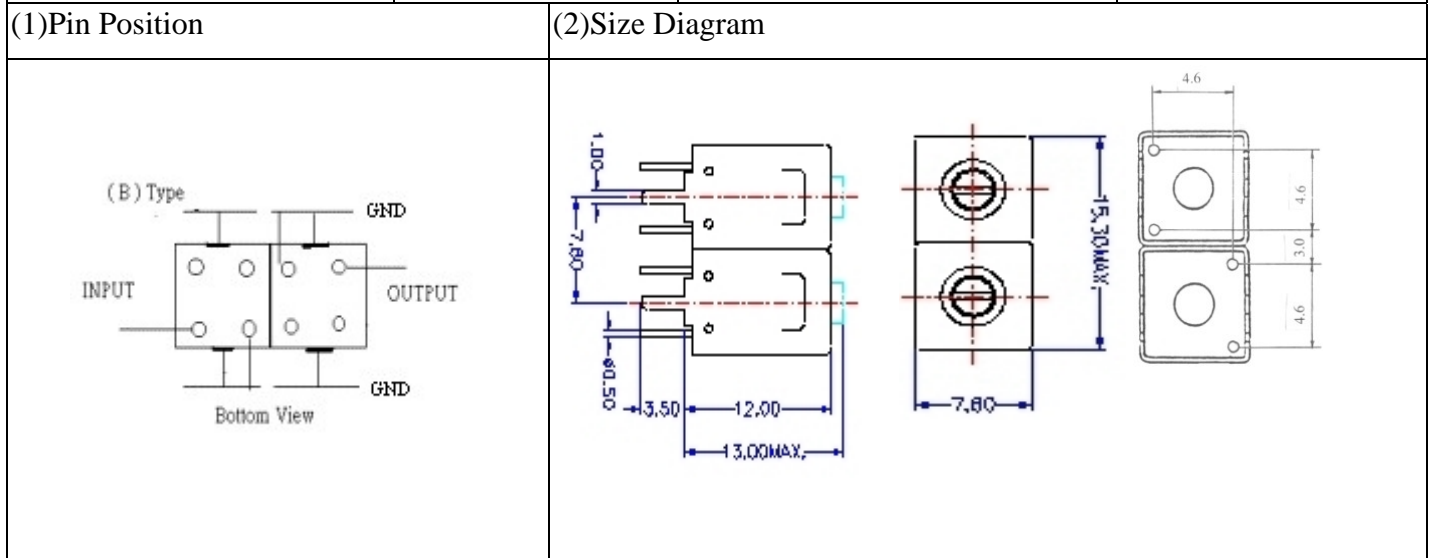


VHF UHF Helical Filter Specification Sheet

Customer Name		Temwell's Part No.	TD6711B1-421M
Approval No. /dated	20407085B	Acceptable Specify Fo. Range	401~455M
Work Instruction No.	20407085B	Date	Aug. 06, 2004

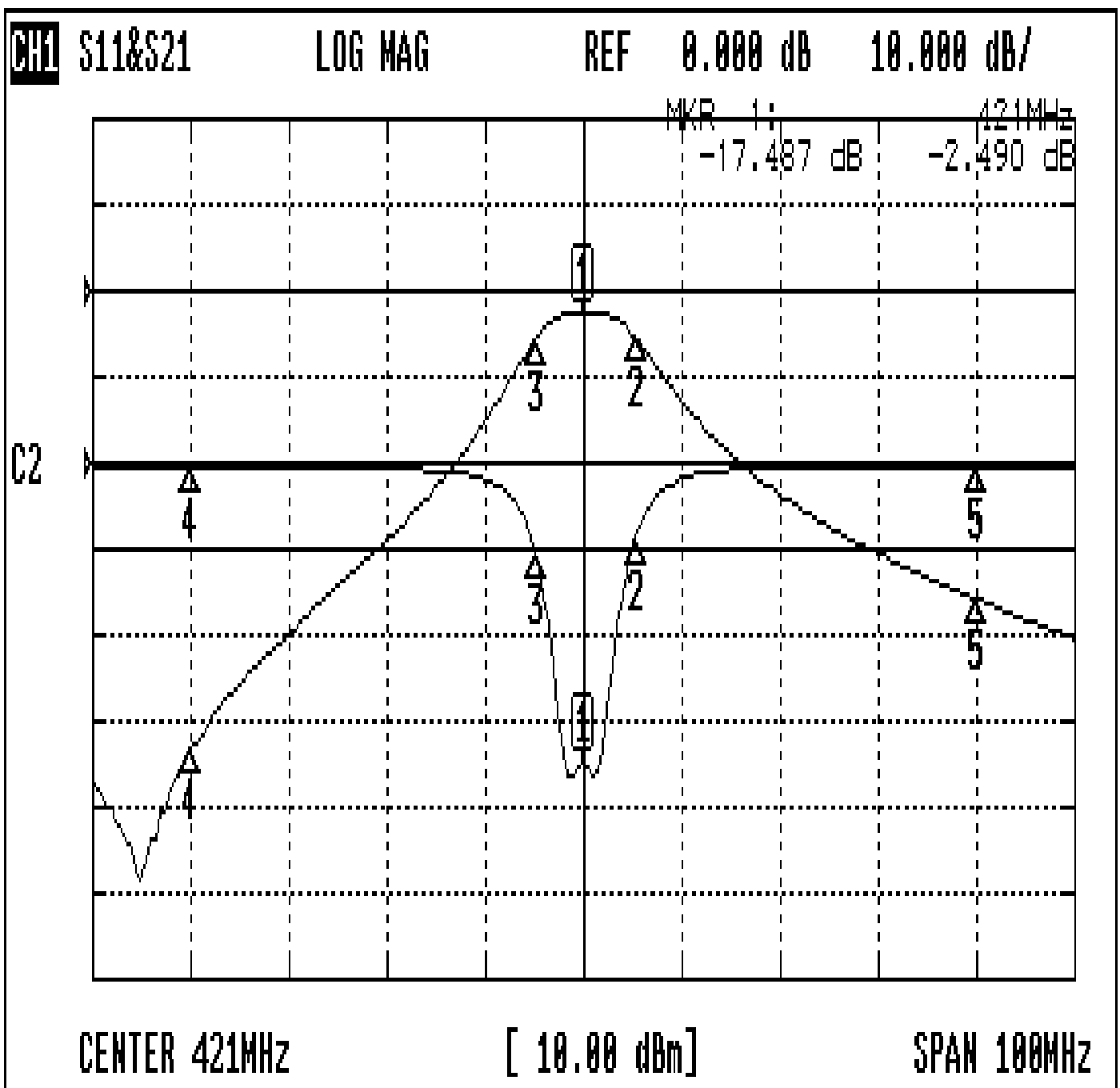


(3) Electric Characteristic			
Item	Specify	Performance	
Center Freq.(Fo) +/- 0.5 %	421 MHz	421 MHz	
Tunable Range	421±5 MHz	421±5 MHz	
Insertion Loss	Typ. 3.5 dB	2.49 dB	
-3 dB Bandwidth	Typ. 8 MHz	10.1 MHz	
Sensitivity (Attenuation)	Fo - 40 MHz	Typ. 46 dBc	51 dBc
	Fo + 40 MHz	Typ. 30 dBc	33 dBc
	Fo - ()MHz	Typ. dBc	dBc
	Fo +()MHz	Typ. dBc	dBc
Return Loss	Min. 12 dB	17.4 dB	
Ripple	< 1 dB	dB	
Impedance	In / Out : 50 Ω	In / Out : 50 Ω	
(4) Torque for Tuning Screw		> 100gf · cm	
(5) Temperature Condition:			
Operating Temperature		0°C ~ +60°C	
Storage Temperature		-20°C ~ +70°C	
(6) Input Power		> 1Watt	
Approval	Supervisor	Designer	Aperture size
C. Y. Chang	C.S. Chang	C. Y. Chang	7H2S(4*5.5) (5.60) F 7H046RB4

TEMWELL CORPORATION

Performance- TD6711B1-421M

20407085B



CH1 MARKER LIST

1:	421.000MHz	-17.487 dB	-2.490 dB
2:	426.333MHz	-4.388 dB	-5.477 dB
3:	416.250MHz	-5.400 dB	-5.450 dB
4:	381.000MHz	-0.168 dB	-53.404 dB
5:	461.000MHz	-0.146 dB	-35.766 dB