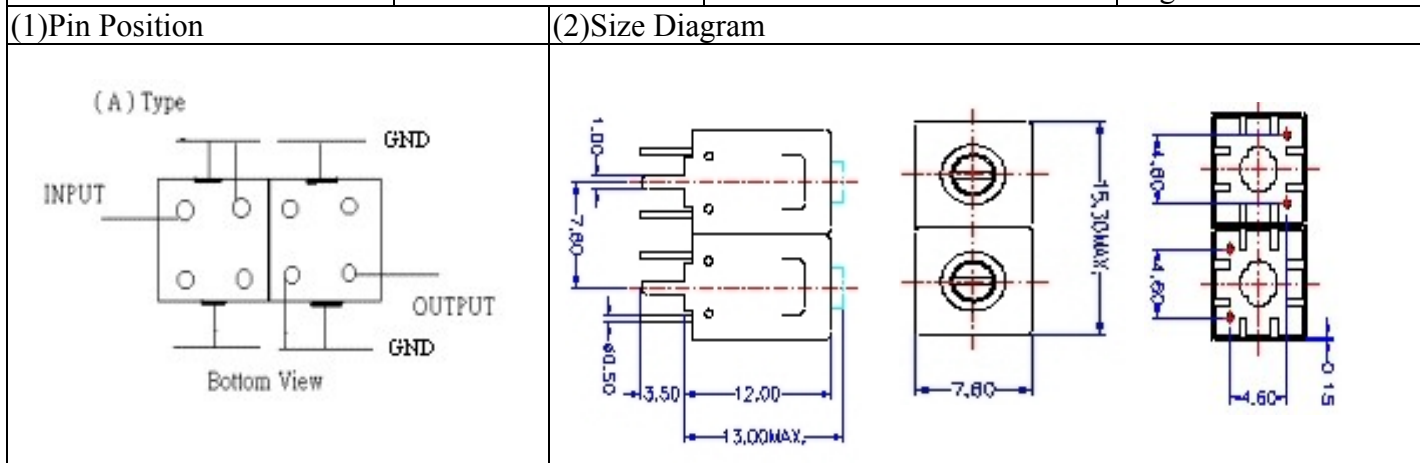


VHF UHF Helical Filter Specification Sheet

Customer Name		Temwell's Part No.	TD6711A1-451M
Approval No. /dated	20112052APR	Acceptable Specify Fo Range	401~455 MHz
Work Instruction No.	20112052B	Date	Aug.18.2006



(3) Electric Characteristic

Item	Specify	Performance	
Center Freq.(Fo) +/- 0.5 %	451 MHz	451 MHz	
Tunable Range	451±5 MHz	451±5 MHz	
Insertion Loss	Typ. 3.0 dB	2.09 dB	
-3 dB Bandwidth	Typ. 9 MHz	11.8 MHz	
Sensitivity (Attenuation)	Fo - 50 MHz	Typ. 56 dBc	59 dBc
	Fo + 50 MHz	Typ. 31 dBc	34 dBc
	Fo - ()MHz	Typ. dBc	dBc
	Fo + ()MHz	Typ. dBc	dBc
Return Loss	Min. 12 dB	17.6 dB	
Ripple	< 1 dB	dB	
Impedance	In / Out : 50 Ω	In / Out : 50 Ω	

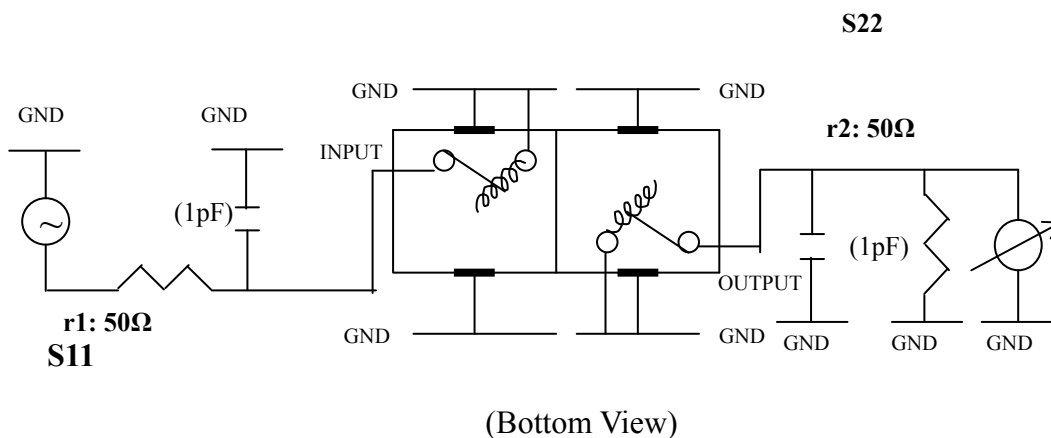
(4) Torque for Tuning Screw > 100gf · cm

(5) Temperature Condition:

Operating Temperature	0°C ~ +60°C
Storage Temperature	-20°C ~ +70°C

(6) Input Power > 1Watt

(7) Measuring Circuit: ※Easy to match Impedance 50Ω/ by parallel with about (1) pF.



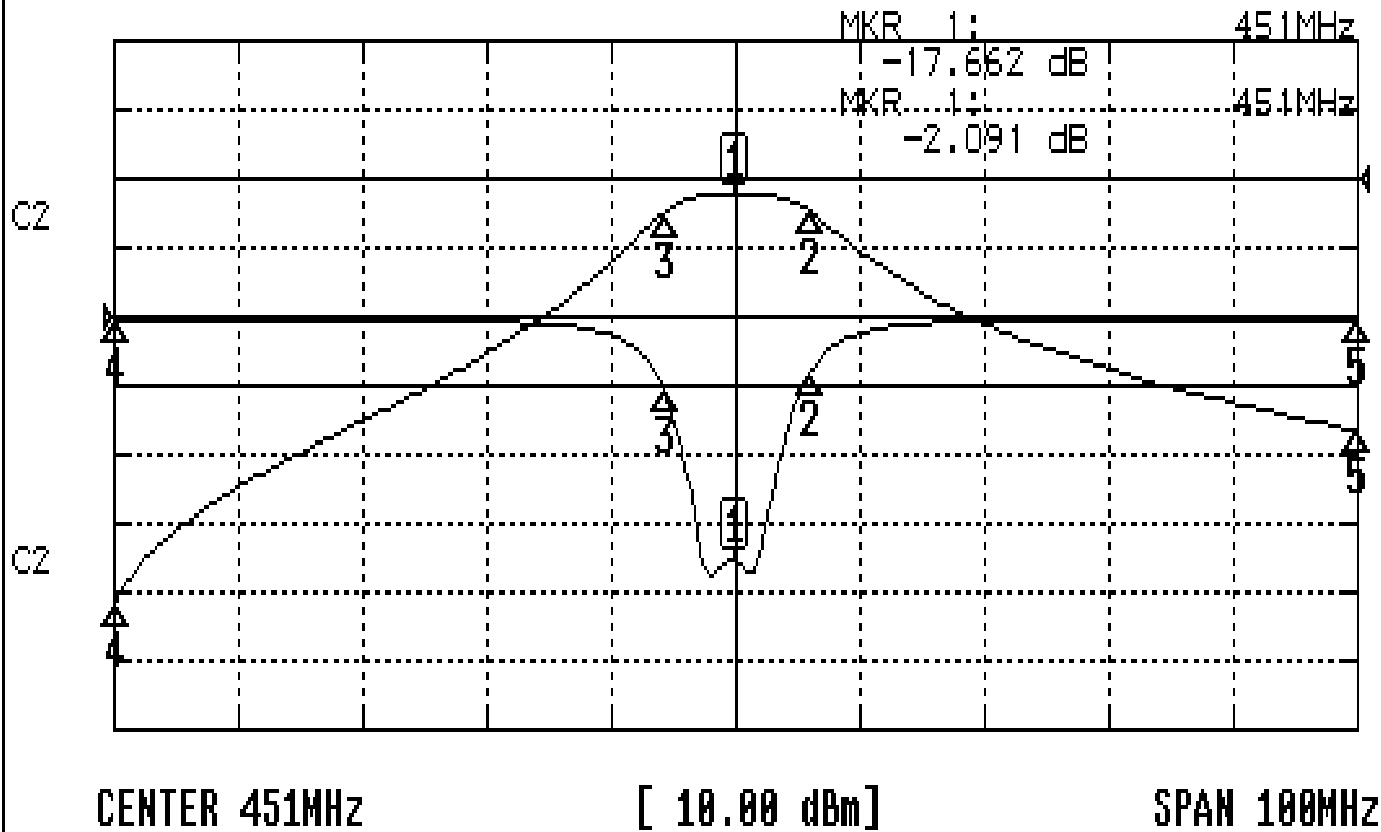
Approval	Supervisor	Designer	Aperture size
C.Y.Chang	C.S.Chang	W.W.Wang	7H2(4*5.5)F 7H046LB4 聚 3

TEMWELL CORPORATION

Performance-TD6711A1-451M

20112052B

CH1 S11 LOG MAG REF 0.000 dB 5.000 dB/
CH2 S21 LOG MAG REF 0.000 dB 10.000 dB/



CH1 MARKER LIST

1:	451.000MHz	-17.662 dB
2:	457.083MHz	-4.011 dB
3:	445.250MHz	-5.300 dB
4:	401.000MHz	-0.182 dB
5:	501.000MHz	-0.173 dB
6:		
7:		
8:		
9:		
10:		

CH2 MARKER LIST

1:	451.000MHz	-2.091 dB
2:	457.083MHz	-1.150 dB
3:	445.250MHz	-1.500 dB
4:	401.000MHz	-0.182 dB
5:	501.000MHz	-0.610 dB
6:		
7:		
8:		
9:		
10:		