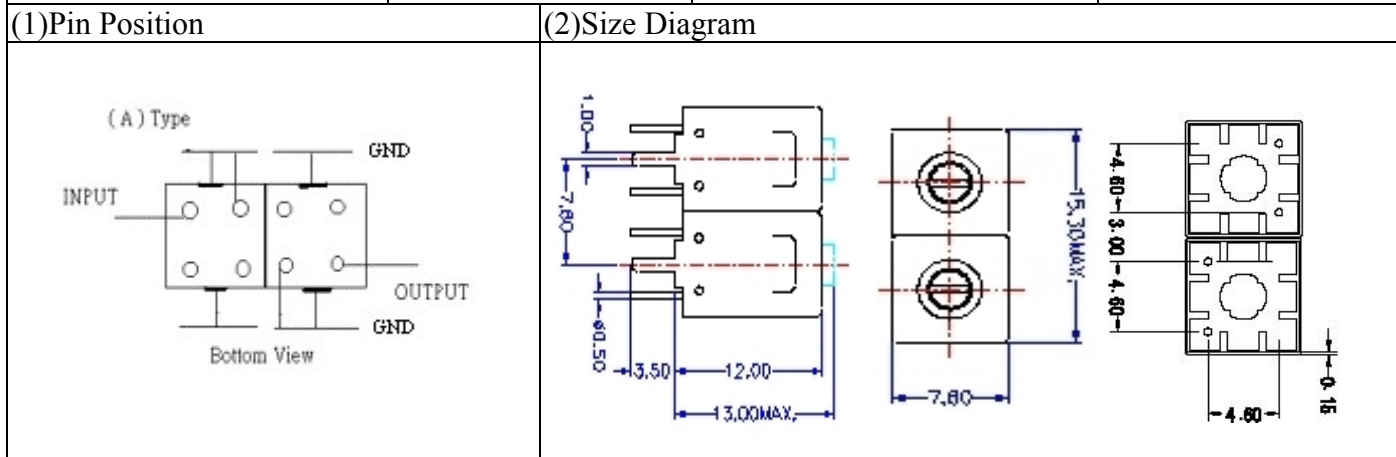


VHF UHF Helical Filter Specification Sheet

Customer Name		Temwell's Part No.	TD67119A-815M
Approval No. /dated	0712113APR	Temwell's Print Name.	67119A 815M
Work Instruction No.	0712113A	Date	Jan.03.2008



(3) Electric Character

Item	Specify	Performance	
Center Freq.(Fo) +/- 0.75 %	815 MHz	815 MHz	
Tunable Range:	815±10 MHz	815±10 MHz	
Insertion Loss	Typ. 3.5 dB	2.73 dB	
-3 dB Bandwidth	Typ. 10 MHz	15.8 MHz	
Sensitivity (Attenuation)	Fo - 20 MHz	Typ. 31 dBc	34 dBc
	Fo + 20 MHz	Typ. 25 dBc	28 dBc
	Fo - ()MHz	Typ. dBc	dBc
	Fo +()MHz	Typ. dBc	dBc
Return Loss	Min. 12 dB	48.9 dB	
Ripple	< 1 dB	dB	
Impedance	In / Out : 50 Ω	In / Out : 50 Ω	

(4) Torque for Tuning Screw > 100gf · cm

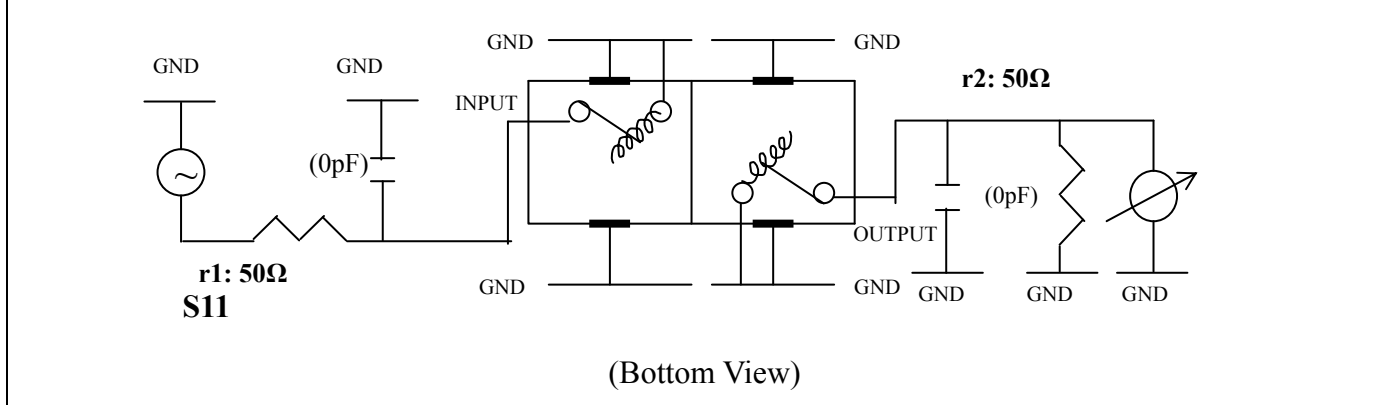
(5) Temperature Condition:

Operating Temperature -30°C ~ +70°C

Storage Temperature -30°C ~ +80°C

(6) Input Power > 1Watt

(7) Measuring Circuit: ※Easy to match Impedance 50Ω by parallel with about (0pF)/(0pF)

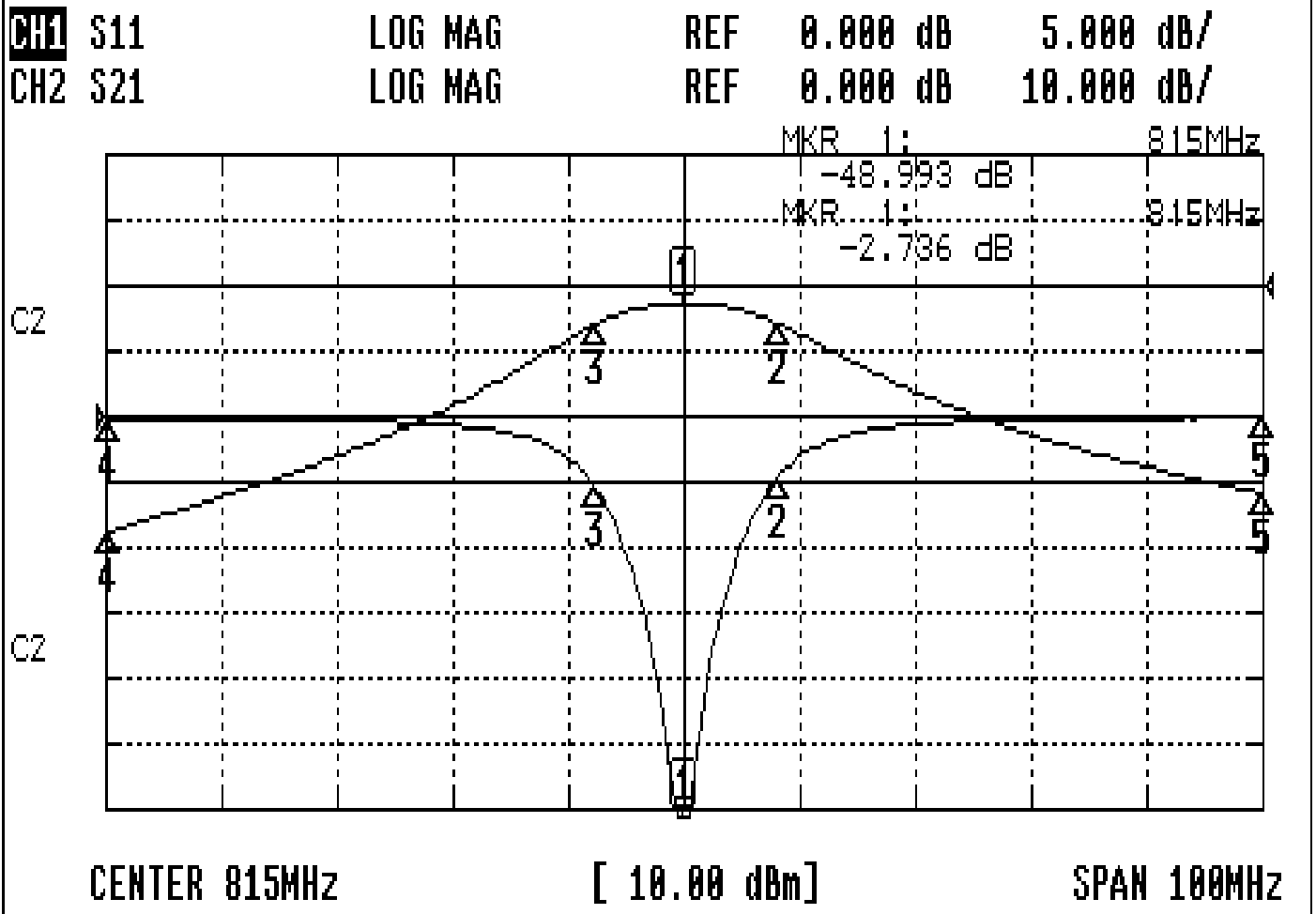


Approval C.Y.Chang	Supervisor C.S.Chang	Designer P.H.Chiang	Aperture size 7H2(4*5.5)F 7H046LB4 聚 3
-----------------------	-------------------------	------------------------	--

TEMWELL CORPORATION

Performance-TD67119A-815M

0712113BD



CH1 MARKER LIST

1	815.000MHz	-48.993	dB
2	823.166MHz	-4.597	dB
3	807.333MHz	-5.344	dB
4	765.000MHz	-0.166	dB
5	865.000MHz	-0.124	dB

CH2 MARKER LIST

1	815.000MHz	-2.736	dB
2	823.166MHz	-1.761	dB
3	807.333MHz	-1.749	dB
4	765.000MHz	-0.637	dB
5	865.000MHz	-0.649	dB