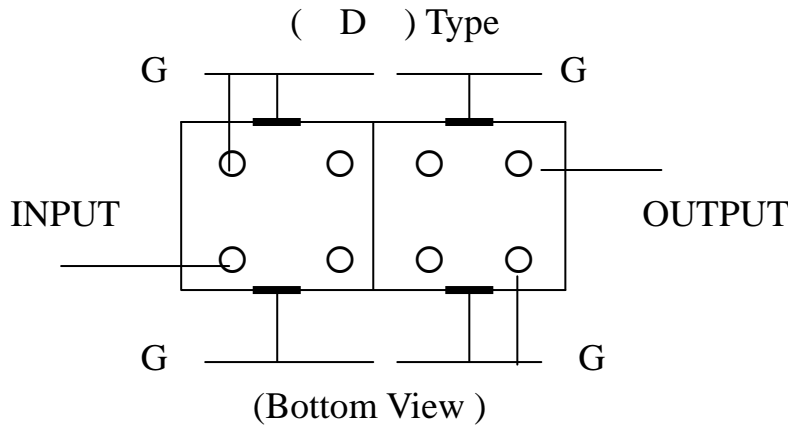


Helical Filter Specification Sheet

Issued Dated :

Customer Name		Temwell's Part No.	TD67118D-780M
Approval No. /dated	2008004B	Customer's Part No.	
Work Instruction No.	2008004B	Date	Aug.02.2000
<input type="checkbox"/> Buyer Print name		<input type="checkbox"/> Temwell,s print name	
Case Name	7H2	Case size :	
Terminator Type	D		

* Pin Position (Pin Connection) diagram as following



(3) Electric Charasteric

Item	Specify	Performance
Center Freq.(Fo) +/- 0.5 %	780 MHz	780 MHz
Insertion Loss	Typ. 3.0 dB	2.08 dB
-3 dB Bandwidth	Typ. 14 MHz	18.1 MHz
Sensitivity (Attenuation)	Fo - 50 MHz	Typ. 27 dBc
	Fo + 50 MHz	Typ. 23 dBc
	Fo - ()MHz	Typ. dBc
	Fo +()MHz	Typ. dBc
Return Loss	Min. 12 dB	20.2 dB
Ripple	< 1 dB	dB
Impedance	In / Out : 50 Ω	In / Out : 50 Ω

4. Temperature Condition:

Operating Temperature	0 °C ~ +60 °C
Storage Temperature	-20 °C ~ +70 °C

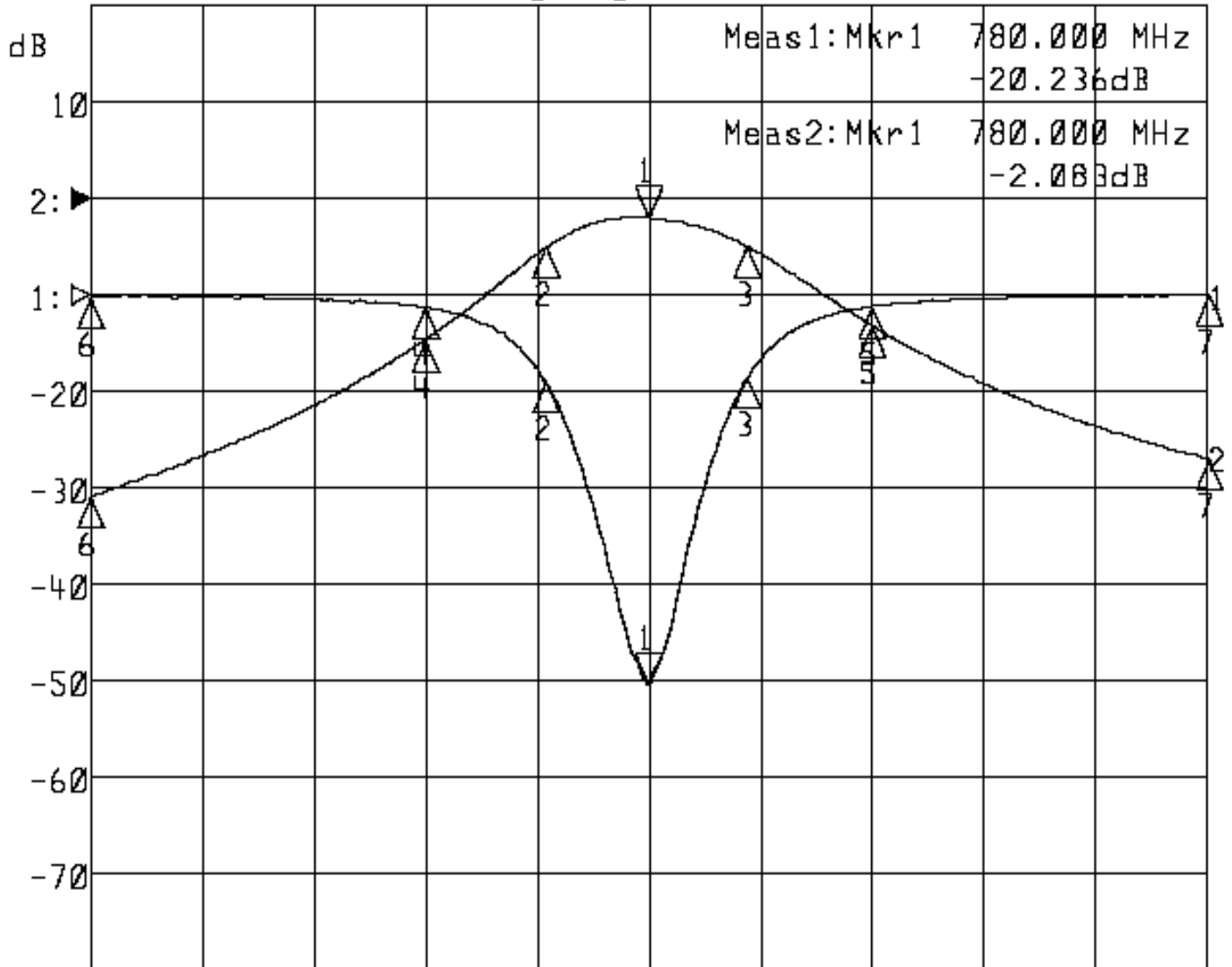
Approval	Supervisor	Designer	Aperture size
C.Y.Chang	C.S.Chang	C.S.Chang	7H2S ,(4*4.65)F 7H046LB4 聚 3

TEMWELL CORPORATION

Performance-TD67118D-780M

2008004B

▶1:S11 Refl Port1 Log Mag 5.0 dB/ Ref 0.00 dB C
 ▶2:S21 Fwd Trans Log Mag 10.0 dB/ Ref 0.00 dB C



Center 780.000 MHz

Span 100.000 MHz

1: Mkr (MHz)	dB	2: Mkr (MHz)	dB
1> 780.0000	-20.236	1> 780.0000	-2.083
2: 770.7667	-4.509	2: 770.7667	-5.109
3: 788.8667	-4.292	3: 788.8667	-4.977
4: 760.0000	-0.660	4: 760.0000	-14.636
5: 800.0000	-0.569	5: 800.0000	-13.145
6: 730.0000	-0.099	6: 730.0000	-31.003
7: 830.0000	-0.014	7: 830.0000	-27.000