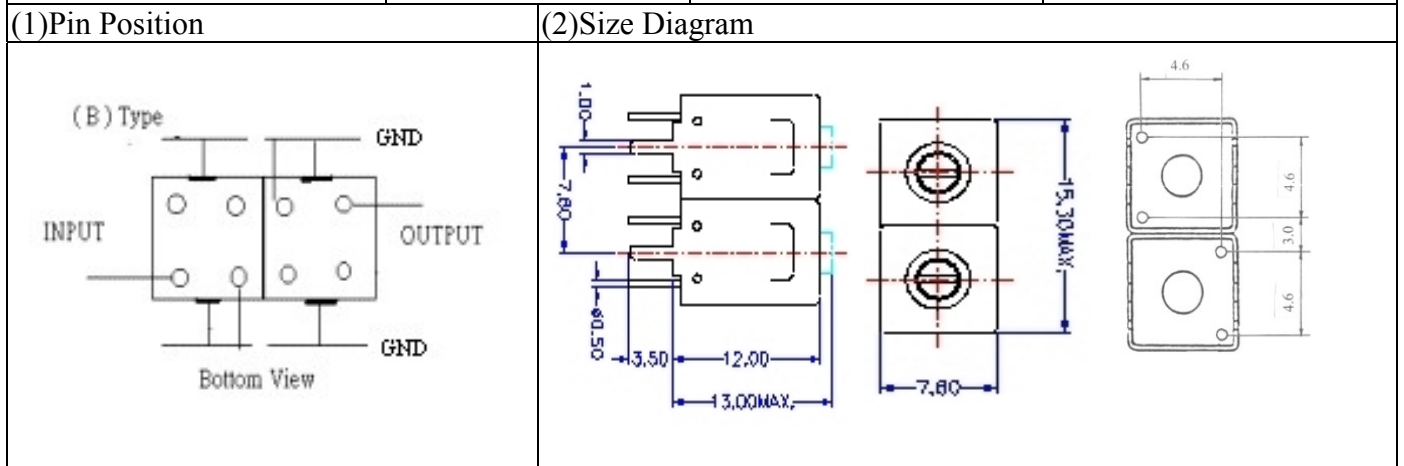


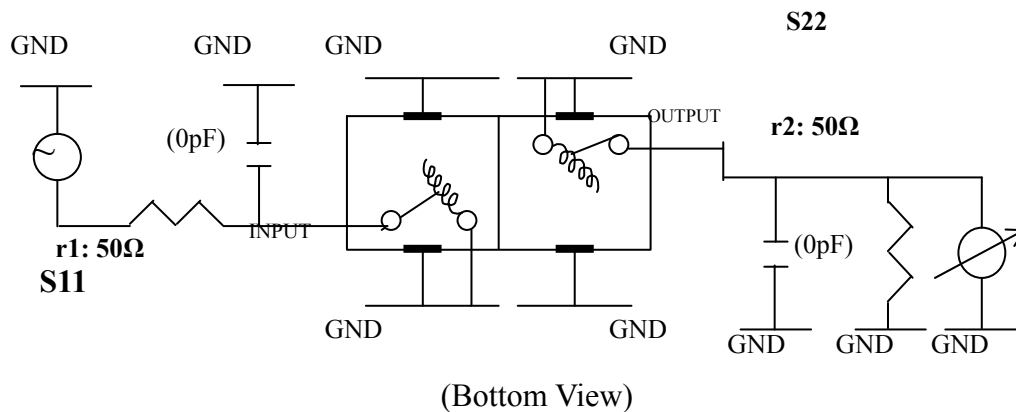
VHF UHF Helical Filter Specification Sheet

Customer Name		Temwell's Part No.	TD67107B-360M
Approval No. /dated	20303070APR	Acceptable Specify Fo Range	356~400 MHz
Work Instruction No.	20303070C	Date	Jul.28.2006



(3) Electric Character			
Item	Specify	Performance	
Center Freq.(Fo) +/- 0.5 %	360 MHz	360 MHz	
Tunable Range	360±4 MHz	360±4 MHz	
Insertion Loss	Typ. 2.5 dB	1.42 dB	
-3 dB Bandwidth	Typ. 16 MHz	18.5 MHz	
Sensitivity (Attenuation)	Fo - 50 MHz	Typ. 20 dBc	24 dBc
	Fo + 50 MHz	Typ. 30 dBc	35 dBc
	Fo - ()MHz	Typ. dBc	dBc
	Fo +()MHz	Typ. dBc	dBc
Return Loss	Min. 12 dB	22.2 dB	
Ripple	< 1 dB	dB	
Impedance	In / Out : 50 Ω	In / Out : 50 Ω	
(4) Torque for Tuning Screw			
	> 100gf · cm		
(5) Temperature Condition:			
Operating Temperature	0°C ~ +60°C		
Storage Temperature	-20°C ~ +70°C		
(6) Input Power			
	> 1Watt		

(7) Measuring Circuit: ※Easy to match Impedance 50Ω by parallel with about (0) pF.

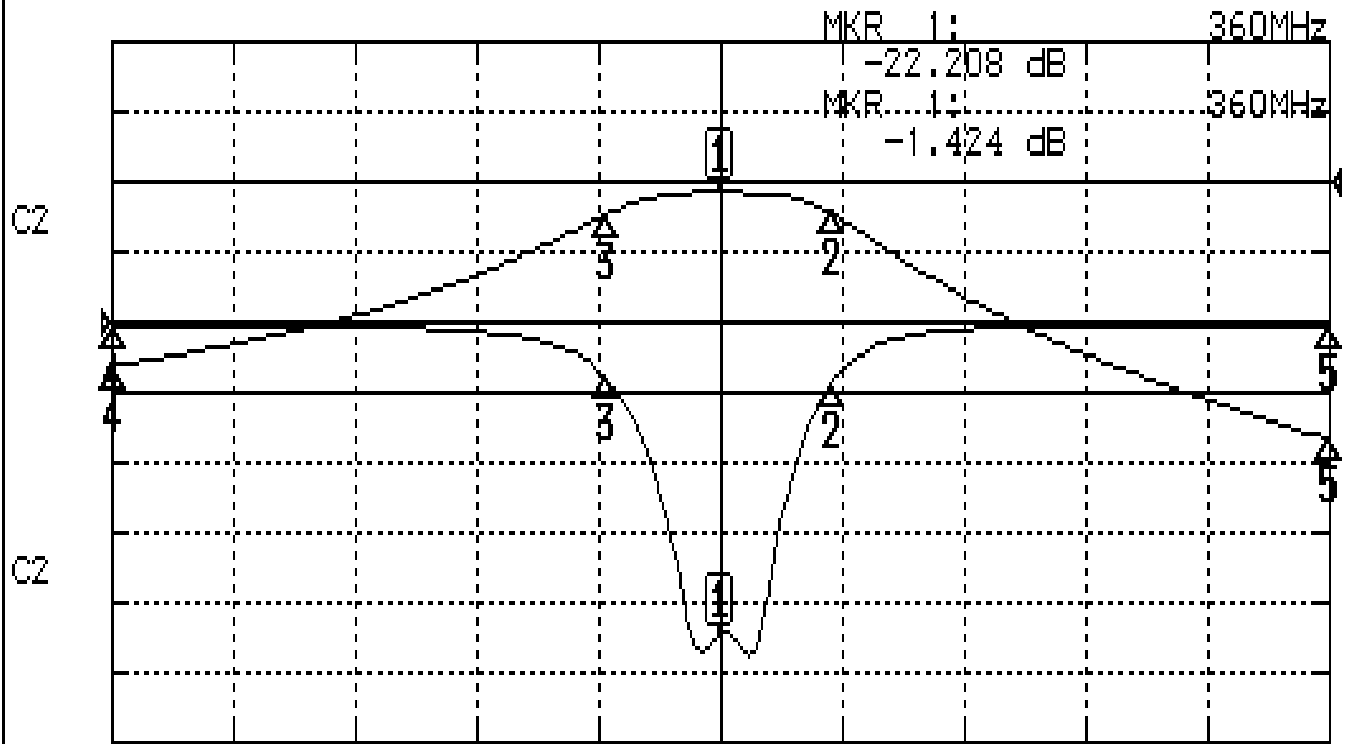


Approval	Supervisor	Designer	Aperture size
C.Y.Chang	C.S.Chang	W.W.Wang	7H2(4*6.5)F 7H046LB4 聚 3
TEMWELL CORPORATION			

Performance-TD67107B-360M

20303070C

CH1 S11 LOG MAG REF 0.000 dB 5.000 dB/
 CH2 S21 LOG MAG REF 0.000 dB 10.000 dB/



CENTER 360MHz

[10.00 dBm]

SPAN 100MHz

CH1 MARKER LIST

1	360.000MHz	-22.218	dB
2	369.166MHz	-1.433	dB
3	350.666MHz	-1.097	dB
4	310.000MHz	-0.183	dB
5	410.000MHz	-0.157	dB

CH2 MARKER LIST

1	360.000MHz	-1.424	dB
2	369.166MHz	-4.482	dB
3	350.666MHz	-4.481	dB
4	310.000MHz	-26.216	dB
5	410.000MHz	-36.717	dB