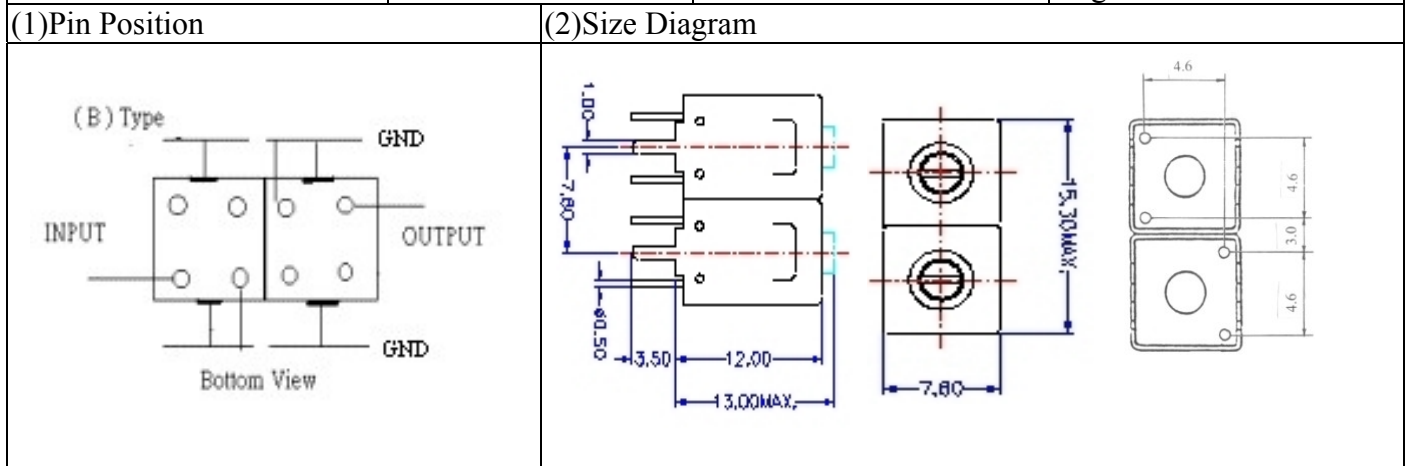


# VHF UHF Helical Filter Specification Sheet

Customer Name		Temwell's Part No.	TD67106B1-460M
Approval No. /dated	981109APR	Acceptable Specify Fo Range	456~515 MHz
Work Instruction No.	981109D	Date	Aug.21.2006



(3) Electric Character

Item	Specify	Performance	
Center Freq.(Fo) +/- 0.5 %	460 MHz	460 MHz	
Tunable Range	460±5 MHz	460±5 MHz	
Insertion Loss	Typ. 2.5 dB	1.37 dB	
-3 dB Bandwidth	Typ. 18 MHz	21.6 MHz	
Sensitivity (Attenuation)	Fo - 90 MHz	Typ. 25 dBc	28 dBc
	Fo + 90 MHz	Typ. 41 dBc	44 dBc
	Fo - ( )MHz	Typ. dBc	dBc
	Fo + ( )MHz	Typ. dBc	dBc
Return Loss	Min. 12 dB	34.8 dB	
Ripple	< 1 dB	dB	
Impedance	In / Out : 50 Ω	In / Out : 50 Ω	

(4) Torque for Tuning Screw > 100gf · cm

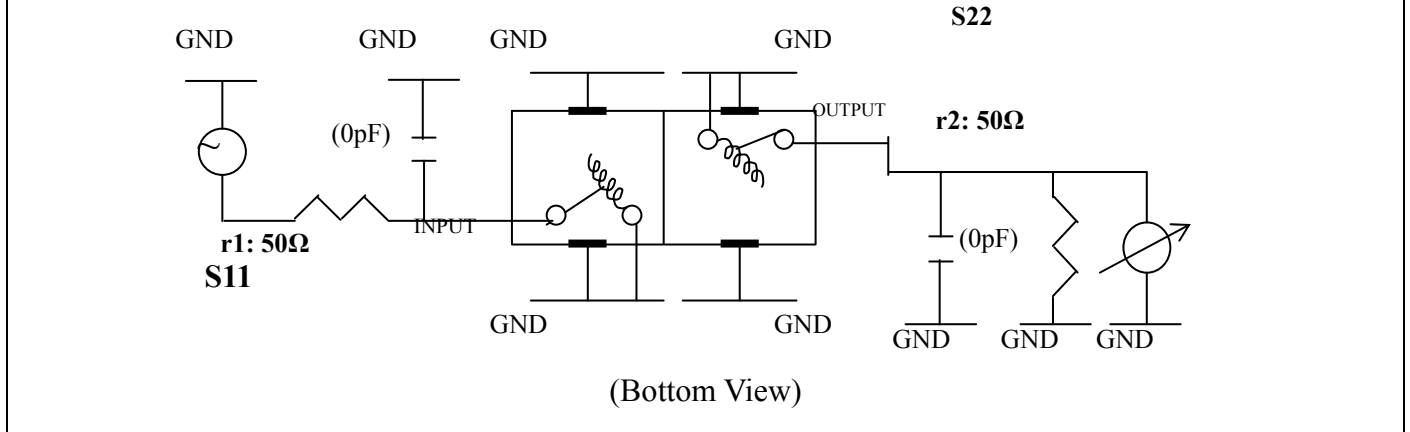
(5) Temperature Condition:

Operating Temperature	0°C ~ +60°C
-----------------------	-------------

Storage Temperature	-20°C ~ +70°C
---------------------	---------------

(6) Input Power	> 1Watt
-----------------	---------

(7) Measuring Circuit: ※Easy to match Impedance 50Ω by parallel with about ( 0 ) pF.

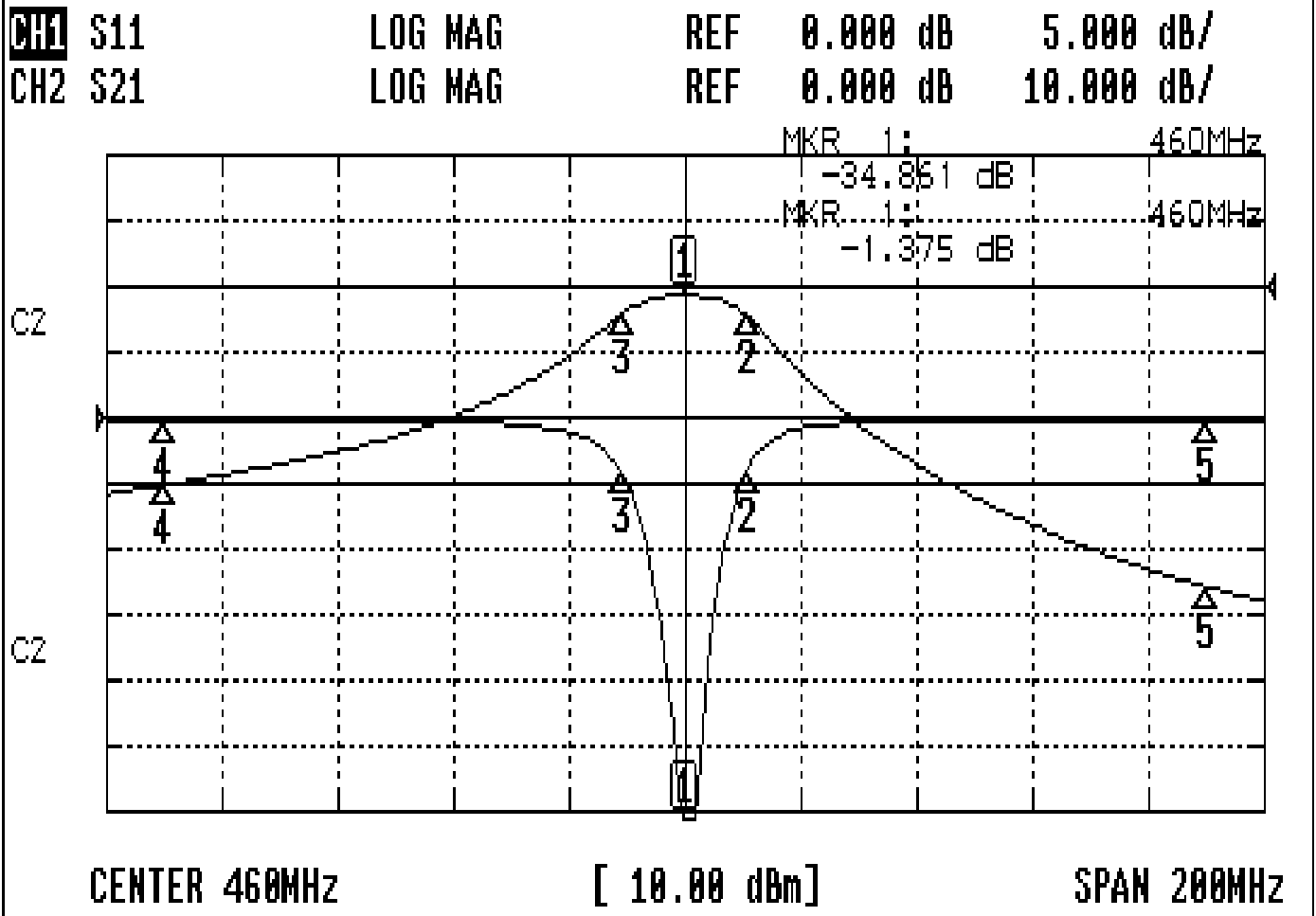


Approval	Supervisor	Designer	Aperture size
C.Y.Chang	C.S.Chang	W.W.Wang	7H2( 4*6.5)F 7H046LB4 聚 3

TEMWELL CORPORATION

# Performance-TD67106B1-460M

## 981109D



### CH1 MARKER LIST

1	460.000MHz	-34.848	dB
2	470.666MHz	-4.189	dB
3	449.000MHz	-4.100	dB
4	370.000MHz	-0.195	dB
5	550.000MHz	-0.222	dB

### CH2 MARKER LIST

1	460.000MHz	-1.375	dB
2	470.666MHz	-4.402	dB
3	449.000MHz	-4.313	dB
4	370.000MHz	-0.210	dB
5	550.000MHz	-45.712	dB