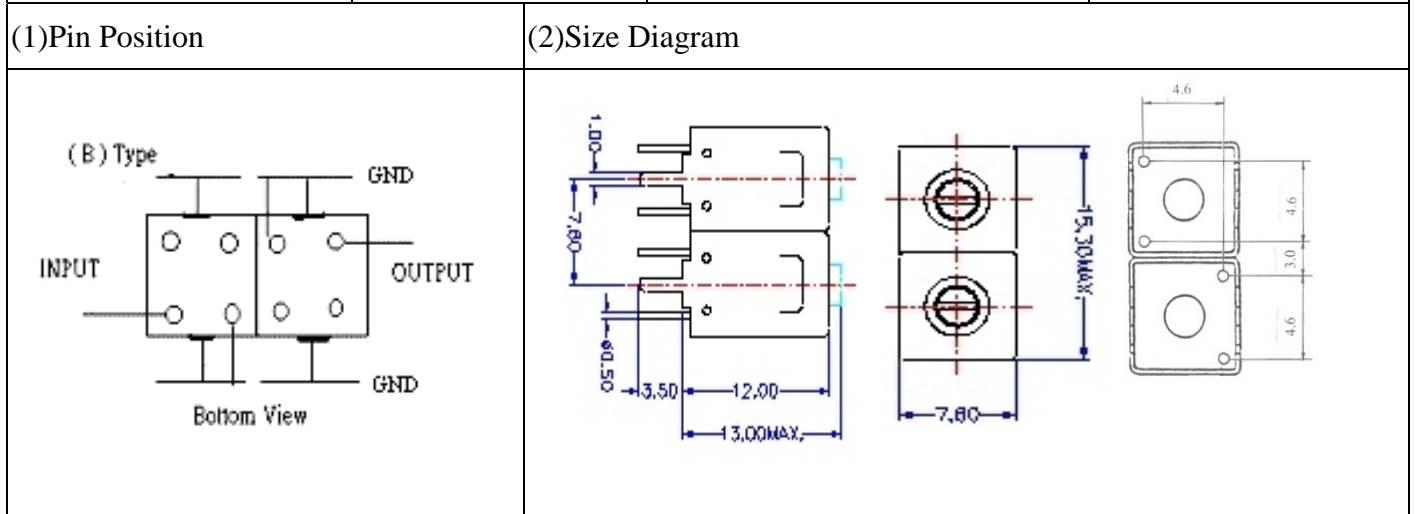


VHF UHF Helical Filter Specification Sheet

Customer Name		Temwell's Part No.	TD67106B-460M
Approval No. /dated	20111140A	Acceptable Specify Fo. Range	456~515MHz
Work Instruction No.	20111140A	Date	Nov.28.2001



(3) Electric Character

Item	Specify	Performance	
Center Freq.(Fo) +/- 0.5 %	460 MHz	460 MHz	
Tunable Range	460±5 MHz	460±5 MHz	
Insertion Loss	Typ. 2.0 dB	0.87 dB	
-3 dB Bandwidth	Typ. 25 MHz	27.1 MHz	
Sensitivity (Attenuation)	Fo - 50 MHz	Typ. 15 dBc	18 dBc
	Fo + 50 MHz	Typ. 22 dBc	25 dBc
	Fo - ()MHz	Typ. dBc	dBc
	Fo +()MHz	Typ. dBc	dBc
Return Loss	Min. 12 dB	23.2 dB	
Ripple	< 1 dB	1 dB	
Impedance	In / Out : 50 Ω	In / Out : 50 Ω	

(4) Torque for Tuning Screw > 100gf · cm

(5) Temperature Condition:

Operating Temperature	0°C ~ +60°C
Storage Temperature	-20°C ~ +70°C

(6) Input Power > 1Watt

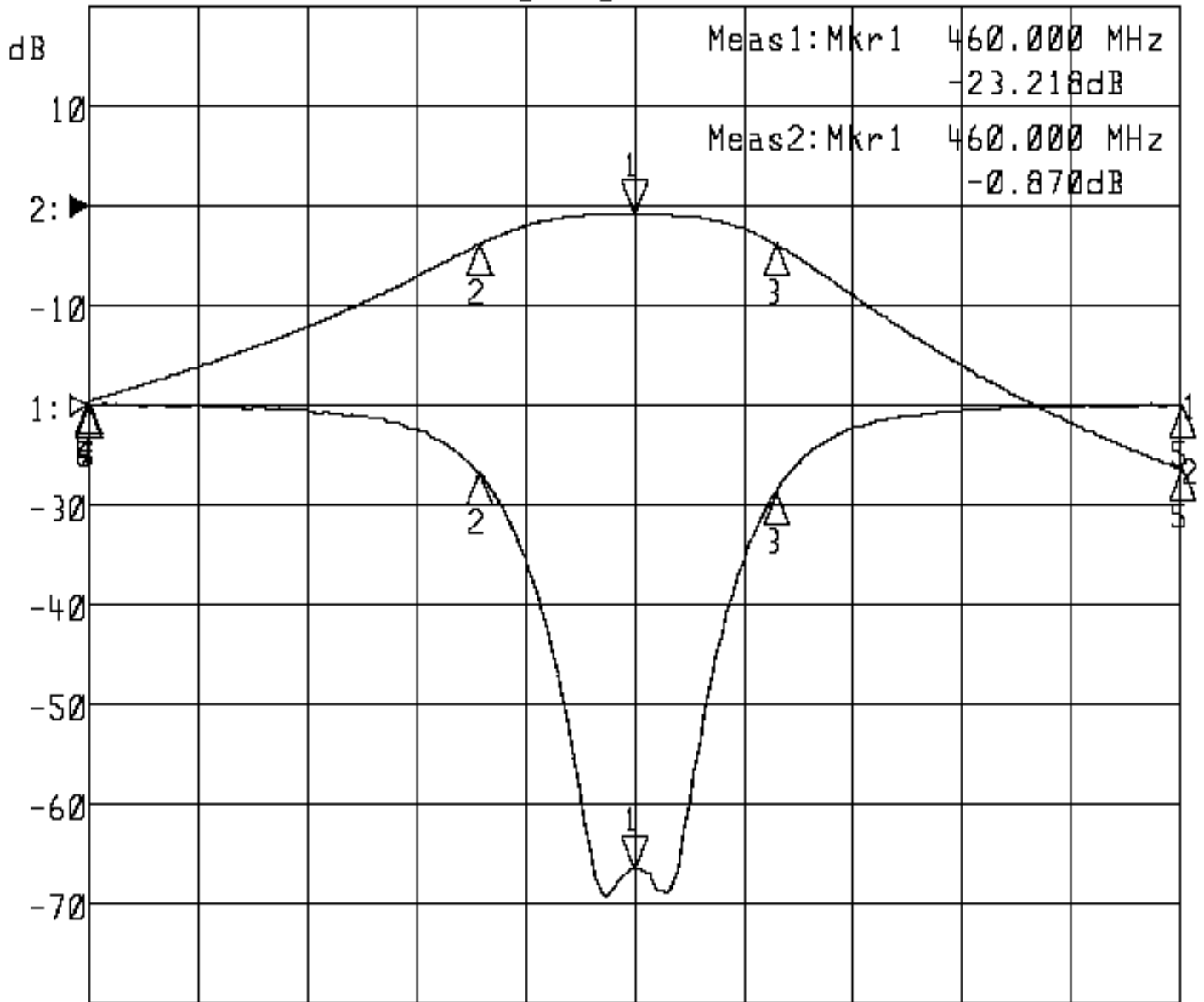
Approval	Supervisor	Designer	Aperture size
C. Y.Chang	C. S.Chang	C. S.Chang	7H2S(4*7.5)F 7H046LB4 聚 3

TEMWELL CORPORATION

Performance-TD67106B-460M

2011140A

▽1: Reflection Log Mag 5.0 dB/ Ref 0.00 dB C
 ▽2: Transmission Log Mag 10.0 dB/ Ref 0.00 dB C



Center 460.000 MHz

Span 100.000 MHz

1: Mkr (MHz)	dB	2: Mkr (MHz)	dB
1> 460.0000	-23.218	1> 460.0000	-0.870
2: 445.8333	-3.385	2: 445.8333	-3.841
3: 472.9667	-4.319	3: 472.9667	-3.857
4: 410.0000	0.005	4: 410.0000	-19.570
5: 510.0000	0.030	5: 510.0000	-26.356
6: 410.0000	0.005		
7: 410.0000	0.005		