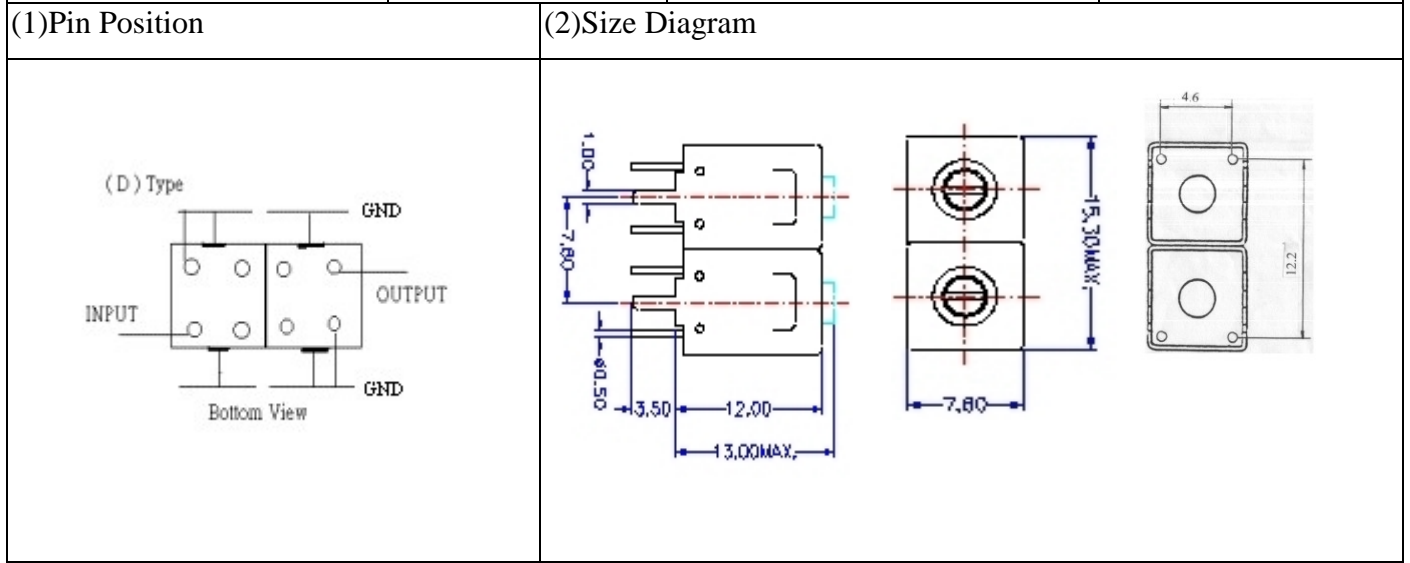


VHF UHF Helical Filter Specification Sheet

Customer Name		Temwell's Part No.	TD6704D-458M
Approval No. /dated	20010016B	Acceptable Specify Fo. Range	456~515M
Work Instruction No.	20010016B	Date	89.10.16.



(3) Electric Character

Item	Specify	Performance	
Center Freq.(Fo) +/- 0.5 %	458 MHz	458 MHz	
Tunable Range	458±5 MHz	458±5 MHz	
Insertion Loss	Typ. 3.0 dB	2.38 dB	
-3 dB Bandwidth	Typ. 8 MHz	10.8 MHz	
Sensitivity (Attenuation)	Fo - 50 MHz	Typ. 37 dBc	40 dBc
	Fo + 50 MHz	Typ. 27 dBc	31 dBc
	Fo - ()MHz	Typ. dBc	dBc
	Fo +()MHz	Typ. dBc	dBc
Return Loss	Min. 12 dB	28.6 dB	
Ripple	< 1 dB	dB	
Impedance	In / Out : 50 Ω	In / Out : 50 Ω	
(4) Torque for Tuning Screw	> 100gf • cm		

(5) Temperature Condition:

Operating Temperature	0°C ~ +60°C
Storage Temperature	-20°C ~ +70°C
(6) Input Power	> 1 Watt

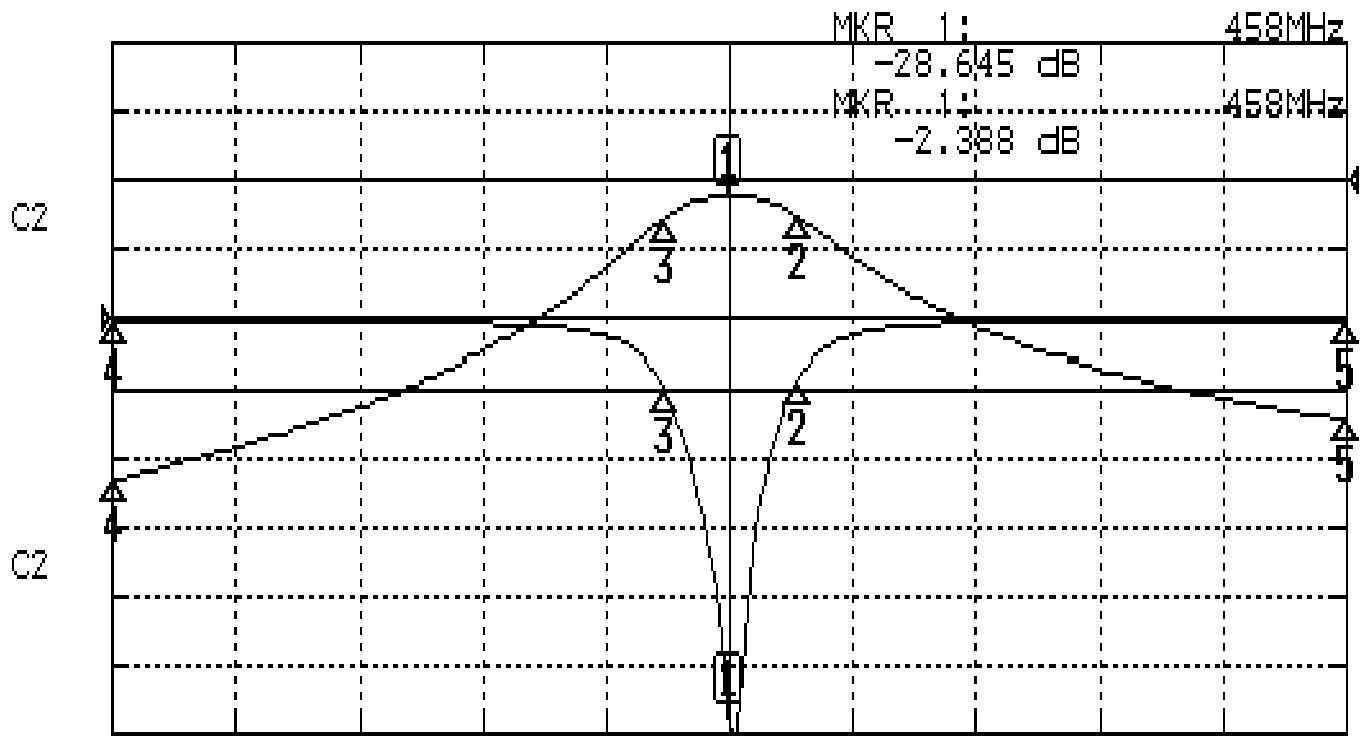
Approval	Supervisor	Designer	Aperture size
C. Y. Chang	C.S. Chang	C. S. Chang	7H2S(4*4.65) 7H046LB4 聚 3

TEMWELL CORPORATION

Performance-TD6704D-458M

20010016B

CH1	S11	LOG MAG	REF	0.000 dB	5.000 dB/
CH2	S21	LOG MAG	REF	0.000 dB	10.000 dB/



CENTER 458MHz

[10.00 dBm]

SPAN 100MHz

CH1 MARKER LIST

1:	458.000MHz	-28.645 dB	
2:	463.666MHz	-4.289 dB	
3:	452.833MHz	-5.066 dB	
4:	408.000MHz	-0.243 dB	
5:	508.000MHz	-0.228 dB	

CH2 MARKER LIST

1:	458.000MHz	-2.388 dB	
2:	463.666MHz	-5.289 dB	
3:	452.833MHz	-5.320 dB	
4:	408.000MHz	-43.071 dB	
5:	508.000MHz	-34.180 dB	